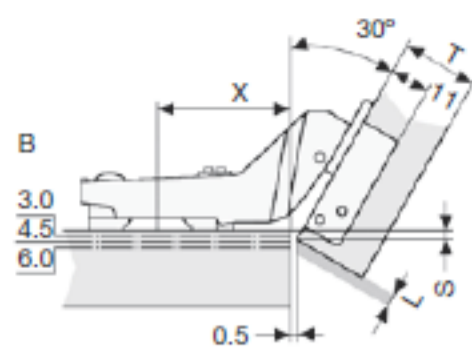
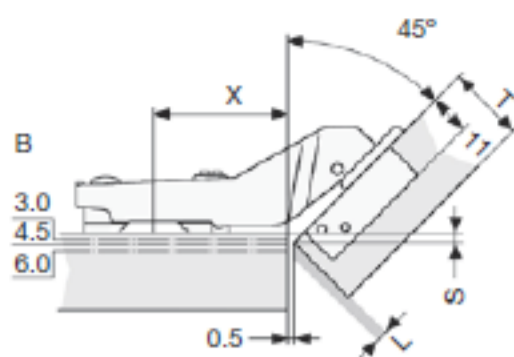


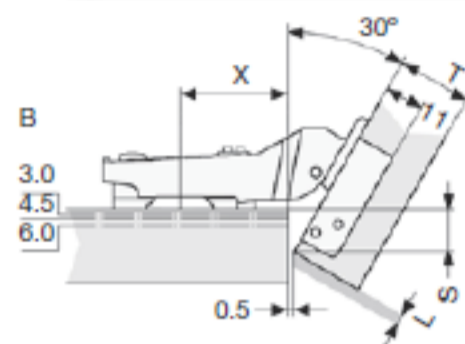
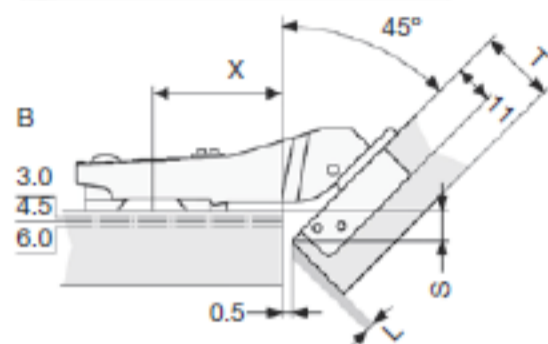
Apertura de 95° con ala inclinada



| L | D | T | | | | | | | | | |
|---|-----|-----|-----|-----|-----|-----|-----|-----|-----|-----|-----|
| | | 16 | 17 | 18 | 19 | 20 | 21 | 22 | 23 | 24 | 25 |
| 4 | 0.5 | 0.7 | 0.9 | 1.2 | 1.4 | 1.7 | 2.1 | 2.5 | 2.9 | 3.4 | 4.2 |
| 5 | 0.5 | 0.7 | 0.8 | 1.1 | 1.4 | 1.7 | 2.0 | 2.4 | 2.8 | 3.3 | 3.8 |
| 6 | 0.5 | 0.7 | 0.9 | 1.1 | 1.4 | 1.6 | 1.9 | 2.3 | 2.7 | 3.1 | 3.6 |
| 7 | 0.5 | 0.7 | 0.9 | 1.1 | 1.3 | 1.6 | 1.9 | 2.2 | 2.6 | 3.0 | 3.5 |
| 8 | 0.5 | 0.6 | 0.8 | 1.0 | 1.3 | 1.5 | 1.9 | 2.2 | 2.5 | 2.9 | 3.4 |

| B | D | | | | |
|-----|-----|-----|-----|-----|-----|
| | 4.0 | 5.0 | 6.0 | 7.0 | 8.0 |
| 1.5 | 2.6 | 3.7 | 3.3 | 3.6 | 4.0 |
| 3.0 | 1.1 | 3.7 | 1.8 | 3.6 | 2.5 |
| 4.5 | 0.4 | 3.7 | 0.3 | 3.6 | 1.0 |
| 6.0 | 1.9 | 3.7 | 1.2 | 3.6 | 0.5 |

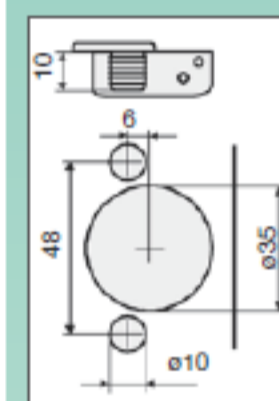
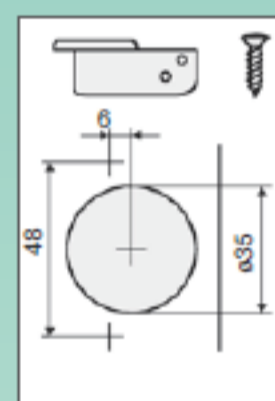
| B | D | | | | |
|-----|-----|-----|-----|-----|-----|
| | 4.0 | 5.0 | 6.0 | 7.0 | 8.0 |
| 1.5 | 2.6 | 3.7 | 3.4 | 3.7 | 4.3 |
| 3.0 | 1.1 | 3.7 | 1.9 | 3.7 | 2.8 |
| 4.5 | 0.4 | 3.7 | 0.4 | 3.7 | 1.3 |
| 6.0 | 1.9 | 3.7 | 1.1 | 3.7 | 0.2 |



| B | D | | | | |
|-----|-----|-----|-----|------|------|
| | 4.0 | 5.0 | 6.0 | 7.0 | 8.0 |
| 1.5 | 8.2 | 9.0 | 9.7 | 10.4 | 11.1 |
| 3.0 | 6.7 | 7.5 | 8.2 | 8.9 | 9.5 |
| 4.5 | 5.2 | 6.0 | 6.7 | 7.4 | 8.0 |
| 6.0 | 3.7 | 4.5 | 5.2 | 5.9 | 6.5 |

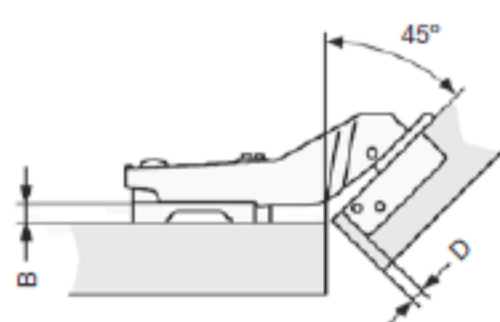
| B | D | | | | |
|-----|------|------|------|------|------|
| | 4.0 | 5.0 | 6.0 | 7.0 | 8.0 |
| 1.5 | 12.3 | 13.1 | 13.5 | 14.0 | 14.9 |
| 3.0 | 10.8 | 12.5 | 12.5 | 13.1 | 13.4 |
| 4.5 | 9.3 | 11.1 | 11.1 | 11.1 | 11.1 |
| 6.0 | 7.8 | 8.6 | 9.5 | 10.4 | 11.3 |

También se fabrican en ejes de 45 mm. y 52 mm. Consulte a nuestros comerciales.



Fijación Tornillo

Fijación Tetón 10 mm.



C95086EGG

E 31.0740.1



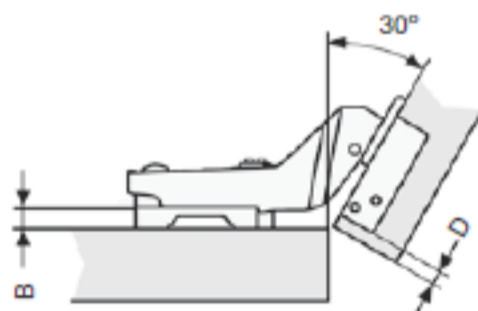
200

C95090EGG

E 31.0740.1



200



C95086DGG

E 31.0741.2



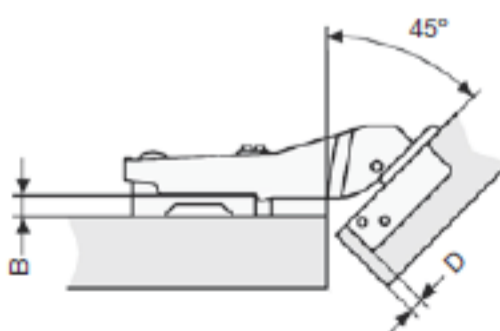
200

C95090DGG

E 31.0741.2



200



C95086PGG

E 31.0738.6



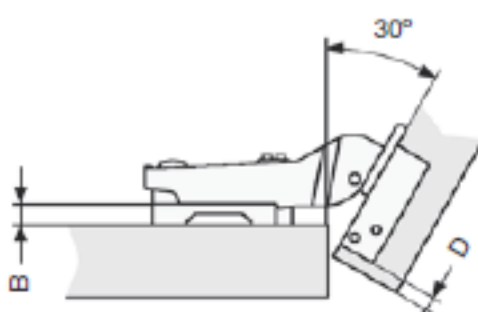
200

C95090PGG

E 31.0738.6



200



C95086NGG

E 31.0739.0



200

C95090NGG

E 31.0739.0



200