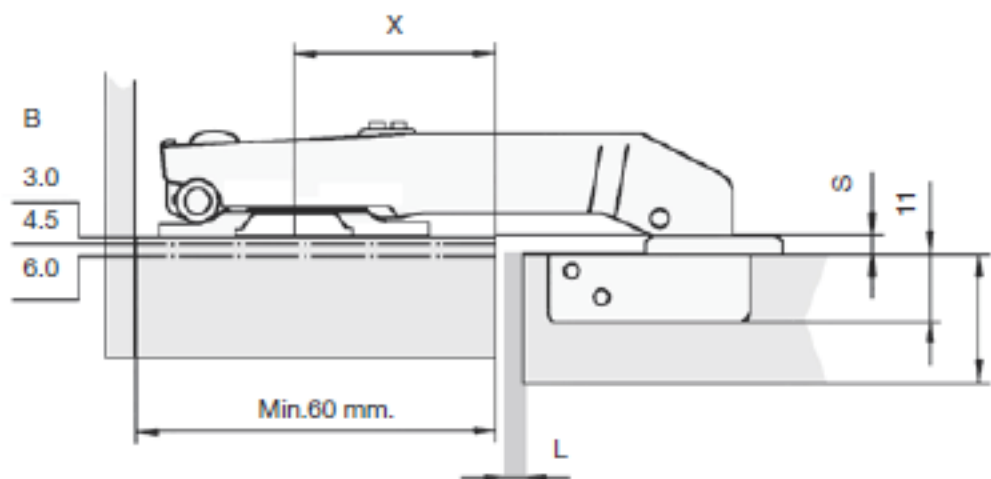
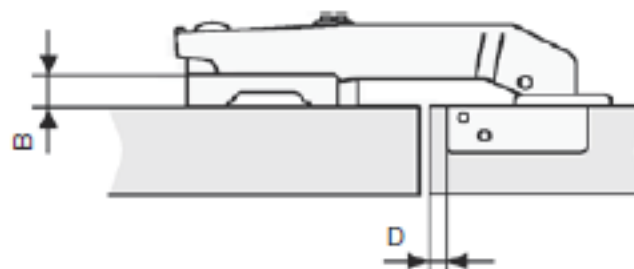


# Apertura de 95° contracodo



L D	T										
	16	17	18	19	20	21	22	23	24	25	26
4	0.5	0.7	0.9	1.2	1.4	1.7	2.1	2.5	2.9	3.4	4.2
5	0.5	0.7	0.8	1.1	1.4	1.7	2.0	2.4	2.8	3.3	3.8
6	0.5	0.7	0.9	1.1	1.4	1.6	1.9	2.3	2.7	3.1	3.6
7	0.5	0.7	0.9	1.1	1.3	1.6	1.9	2.2	2.6	3.0	3.5
8	0.5	0.6	0.8	1.0	1.3	1.5	1.9	2.2	2.5	2.9	3.4

B	D				
	4.0	5.0	6.0	7.0	8.0
1.5	37 / 4.5	36 / 4.5	35 / 4.5	34 / 4.5	33 / 4.5
3.0	37 / 3.0	36 / 3.0	35 / 3.0	34 / 3.0	33 / 3.0
4.5	37 / 1.5	36 / 1.5	35 / 1.5	34 / 1.5	33 / 1.5
6.0	37 / 0	36 / 0	35 / 0	34 / 0	33 / 0
X	S				



C95086GGG

E 31.0735.3

	200
--	-----

C95090GGG

	200
--	-----