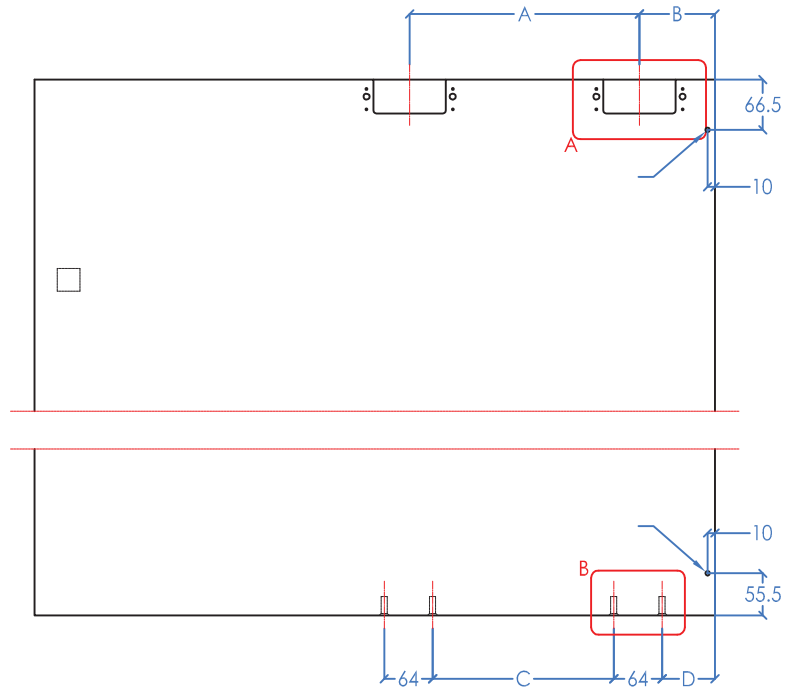
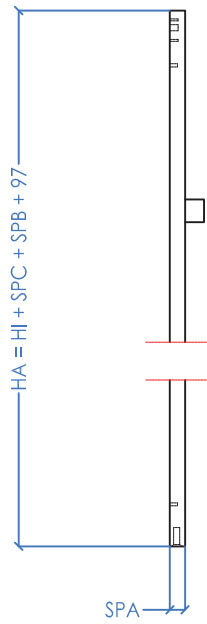


SAE38

F = 222,15
G = 28,15

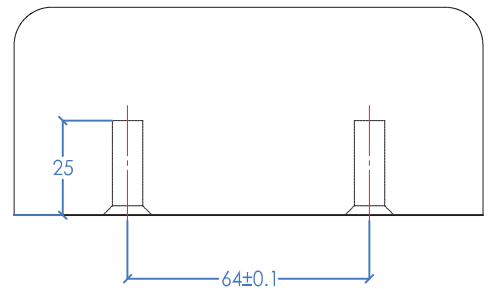
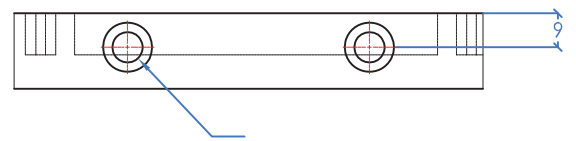
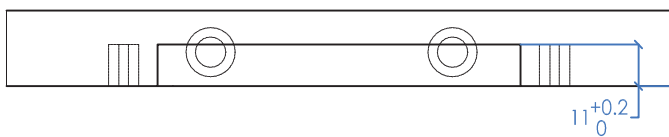
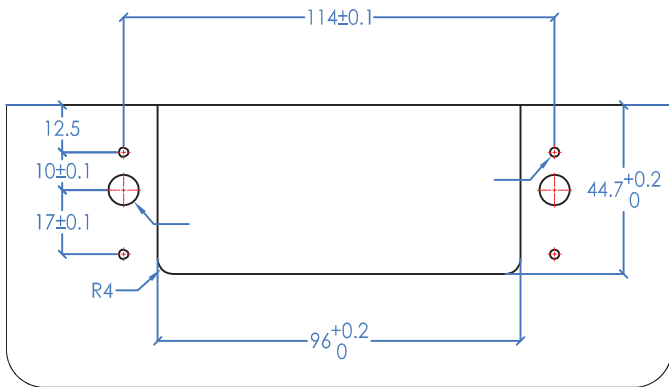
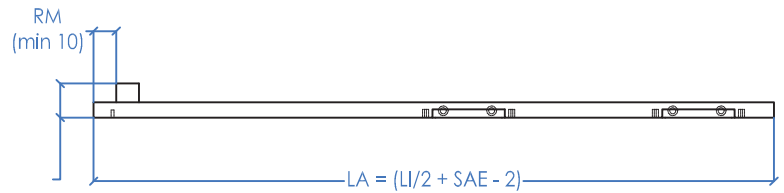
F = 233,15
G = 39,15

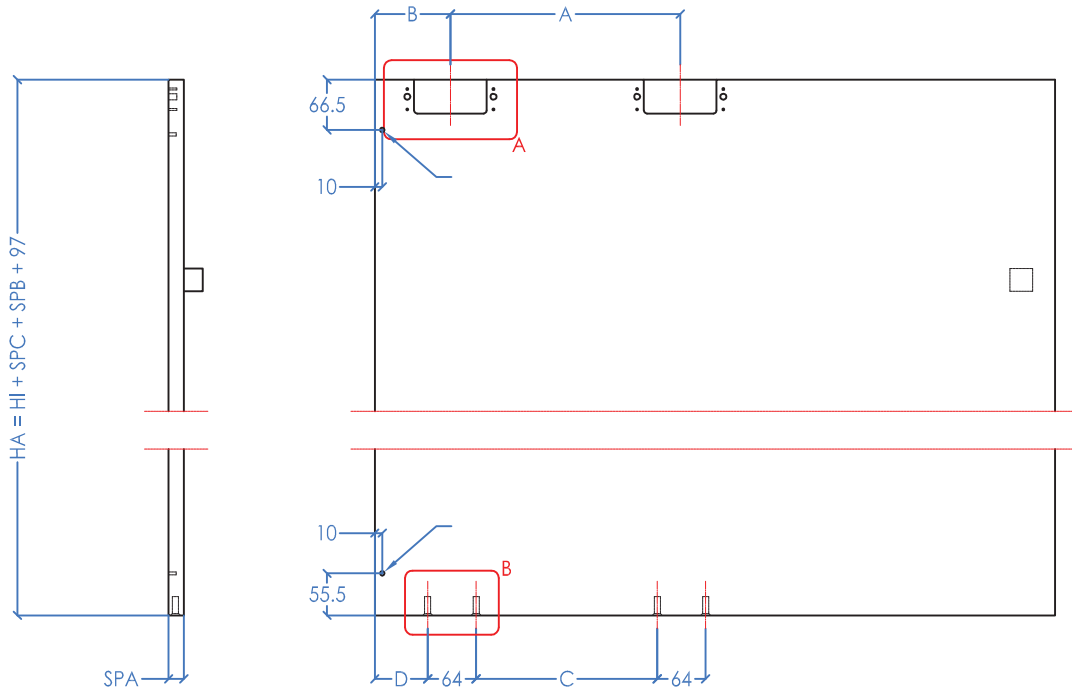
| LI | A | B | C | D | N° CLIP SUP. | N° CLIP INF. |
|------|--------|-------|--------|-------|--------------|--------------|
| 1162 | 0 | 491,5 | 0 | 321,5 | 4 | 4 |
| 1262 | 0 | 541,5 | 0 | 371,5 | 4 | 4 |
| 1362 | 0 | 591,5 | 0 | 421,5 | 4 | 4 |
| 1562 | 345,75 | 0 | 0 | 521,5 | 6 | 4 |
| 1762 | 395,75 | 0 | 310,75 | 0 | 6 | 6 |
| 1962 | 445,75 | 0 | 360,75 | 0 | 6 | 6 |
| 2162 | 495,75 | 0 | 410,75 | 0 | 6 | 6 |
| 2362 | 545,75 | 0 | 460,75 | 0 | 6 | 6 |
| 2562 | 595,75 | 0 | 510,75 | 0 | 6 | 6 |
| 2762 | 430 | 431,5 | 560,75 | 0 | 8 | 6 |
| 2962 | 463 | 465,5 | 407 | 407,5 | 8 | 8 |
| 3162 | 497 | 497,5 | 440 | 441,5 | 8 | 8 |
| 3362 | 530 | 531,5 | 473 | 475,5 | 8 | 8 |
| 3562 | 563 | 565,5 | 507 | 507,5 | 8 | 8 |
| 3762 | 597 | 597,5 | 540 | 541,5 | 8 | 8 |



SPAM ≤ 45
18 ≤ SPA ≤ 30
RM ≥ 10

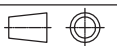
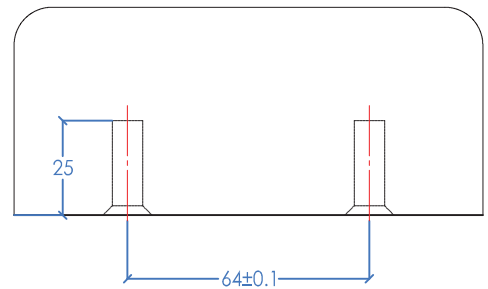
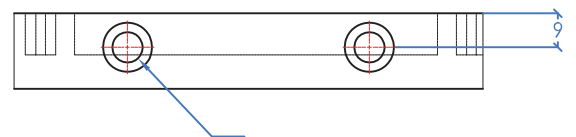
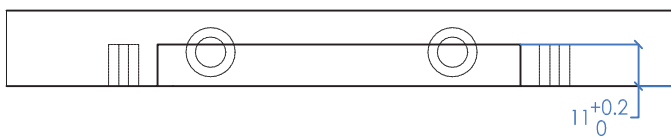
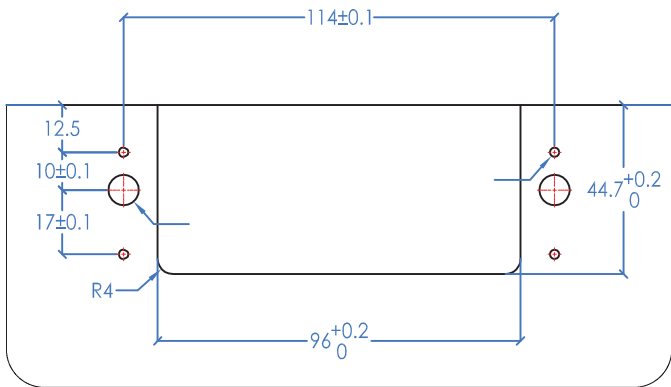
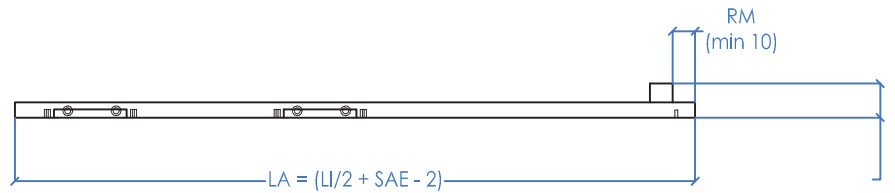
| LI | A | B | C | D |
|------|-----|-----------|----------|------------|
| 1162 | 154 | 80.25+SAE | (16.6) * | 123.25+SAE |
| 1362 | 204 | | 66.6 | |
| 1562 | 254 | | 101.6 | 138.25+SAE |
| 1762 | 304 | | 151.6 | |
| 1962 | 354 | | 176.6 | 163.25+SAE |
| 2162 | 404 | | 226.6 | |
| 2362 | 454 | | 276.6 | |
| 2562 | 504 | | 326.6 | |
| 2762 | 554 | | 376.6 | |
| 2962 | 604 | | 426.6 | |

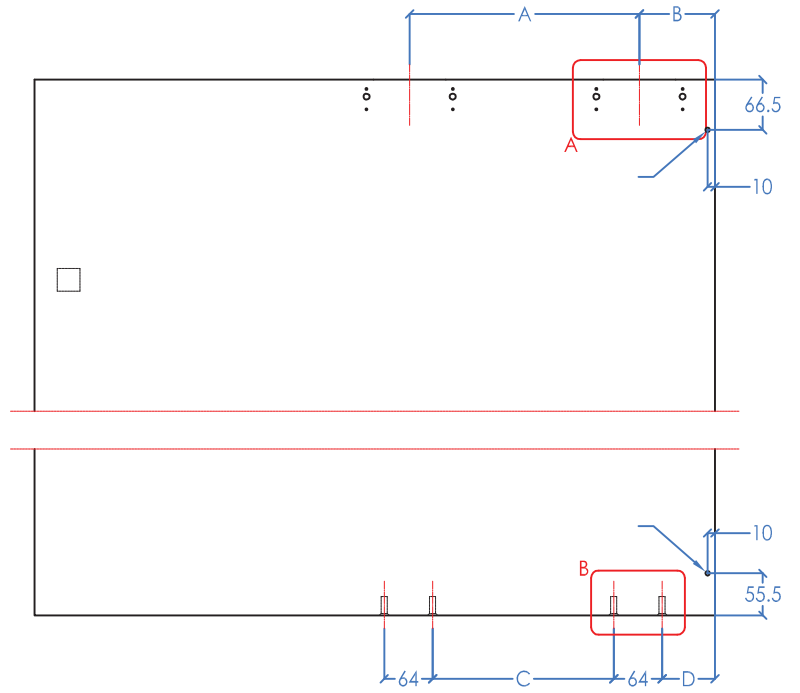
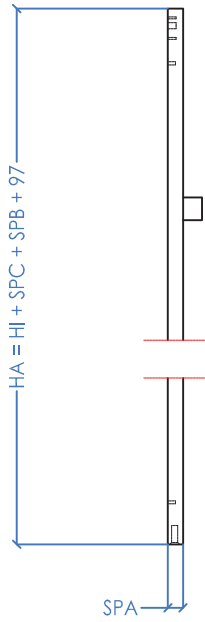




SPAM ≤ 45
 18 ≤ SPA ≤ 30
 RM ≥ 10

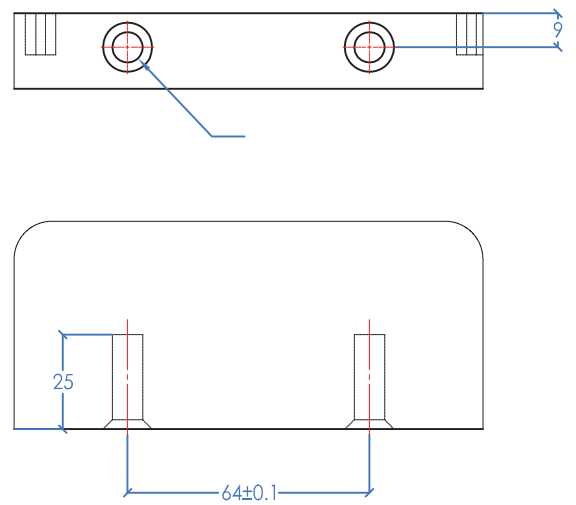
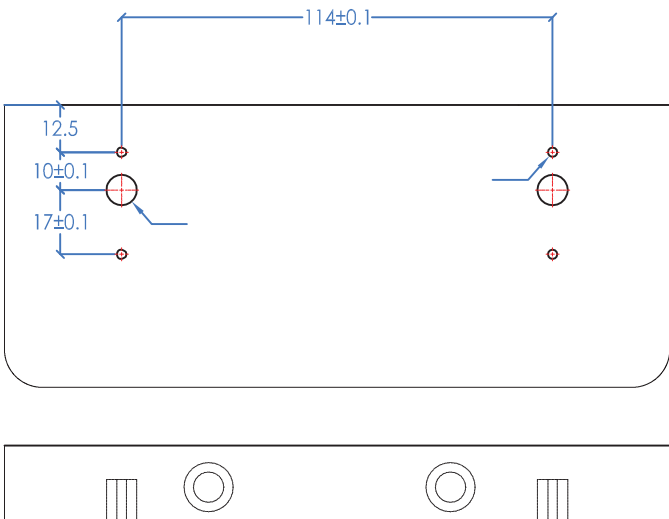
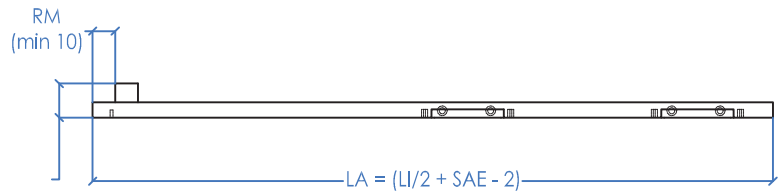
| LI | A | B | C | D |
|------|-----|-----------|----------|------------|
| 1162 | 154 | 80.25+SAE | (16.6) * | 123.25+SAE |
| 1362 | 204 | | 66.6 | |
| 1562 | 254 | | 101.6 | 138.25+SAE |
| 1762 | 304 | | 151.6 | |
| 1962 | 354 | | 176.6 | 163.25+SAE |
| 2162 | 404 | | 226.6 | |
| 2362 | 454 | | 276.6 | |
| 2562 | 504 | | 326.6 | |
| 2762 | 554 | | 376.6 | |
| 2962 | 604 | | 426.6 | |

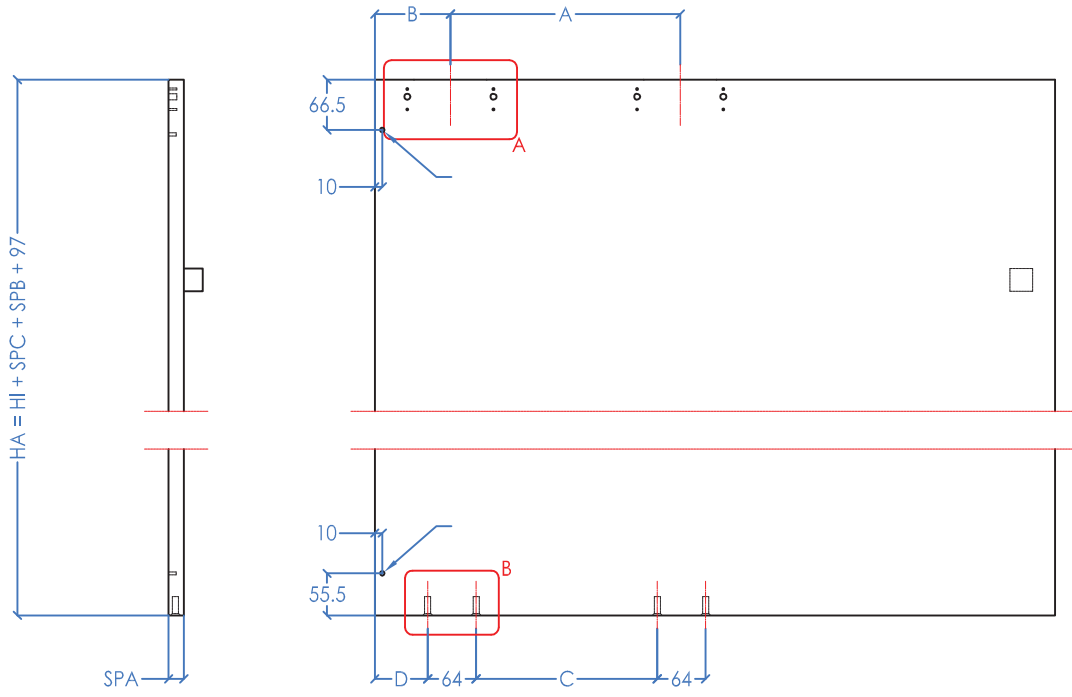




SPAM ≤ 40
 18 ≤ SPA ≤ 30
 RM ≥ 10

| LI | A | B | C | D |
|------|-----|-----------|----------|------------|
| 1162 | 154 | 80.25+SAE | (16.6) * | 123.25+SAE |
| 1362 | 204 | | 66.6 | |
| 1562 | 254 | | 101.6 | 138.25+SAE |
| 1762 | 304 | | 151.6 | |
| 1962 | 354 | | 176.6 | 163.25+SAE |
| 2162 | 404 | | 226.6 | |
| 2362 | 454 | | 276.6 | |
| 2562 | 504 | | 326.6 | |
| 2762 | 554 | | 376.6 | |
| 2962 | 604 | | 426.6 | |





SPAM ≤ 40
 18 ≤ SPA ≤ 30
 RM ≥ 10

| LI | A | B | C | D |
|------|-----|-----------|----------|------------|
| 1162 | 154 | 80.25+SAE | (16.6) * | 123.25+SAE |
| 1362 | 204 | | 66.6 | |
| 1562 | 254 | | 101.6 | |
| 1762 | 304 | 80.25+SAE | 151.6 | 138.25+SAE |
| 1962 | 354 | | 176.6 | |
| 2162 | 404 | | 226.6 | |
| 2362 | 454 | 80.25+SAE | 276.6 | 163.25+SAE |
| 2562 | 504 | | 326.6 | |
| 2762 | 554 | | 376.6 | |
| 2962 | 604 | 80.25+SAE | 426.6 | |

