

 **MENGUAL**[®]

 **ITALIANA**[®]
f e r r a m e n t a

Libra H1

HANGERS



LIBRA H1 - H2 - H3 - H4 LIVING SETTINGS



LIBRA H1



LIBRA H3



LIBRA H2



LIBRA H4



LIBRA H1

LIBRA is the innovative family of CABINET HANGERS and WALL PLATES especially conceived to satisfy all the customer's needs. The LIBRA hangers are to be installed behind the rear panel with the only small cover caps left visible inside the cabinet.

LIBRA is a very resistant and reliable solution as the zinc-coated steel body is sensibly thicker, and therefore stronger.

All the models within the LIBRA family feature an innovative ANTI-TURNOVER device which is covered by patent.

LIBRA H1 is the universal screw fixing cabinet hanger. It is unhandled and doesn't require any drilling operations on the side.

Also featured in the LIBRA family are 5 types of wall plates and 1 types of wall bars made of very thick zinc-coated steel and hardened by punched impressions.

Wall bars and wall plates feature oval holes which

facilitate the correct positioning and give the possibility to carry out the horizontal adjustment.

Placement of the holes for wall-fixation has been optimised to reduce the stress on the plates and on the plugs.

LIBRA cabinet hangers allow to adjust the cabinet vertically and horizontally. The 2 movements are 100% INDEPENDENT of each other and therefore make the adjustments much easier and more efficient.

The adjustment and the locking of the ANTI-TURNOVER bolt can be carried out from the inside of the cabinet by using a standard PZ2 screwdriver.

The capacity loading of LIBRA H1 is 75 Kilos per piece.



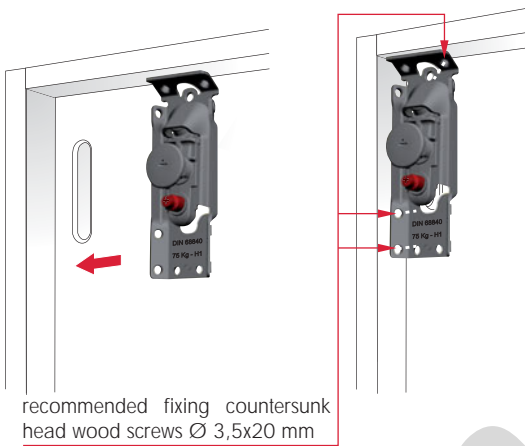
EN 15939:2019 - 65 Kg per piece

PATENTED

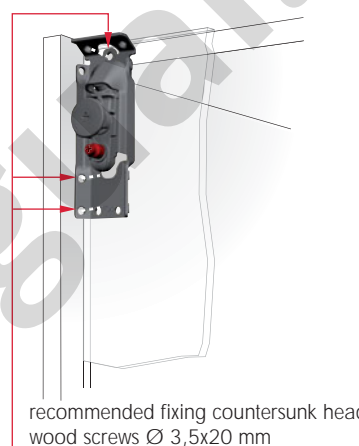
Certificates available on request.



INSTALLATION UNDER THE CABINET TOP

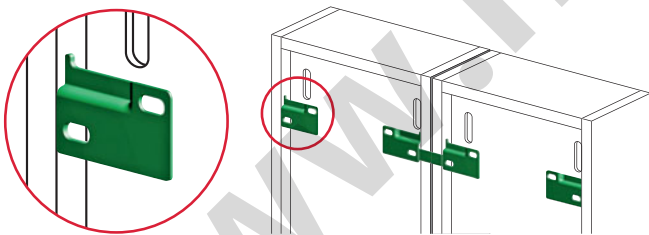


ALTERNATIVE INSTALLATION



INSTALLATION ON THE WALL

- For details refer to "LIBRA WALL PLATES"



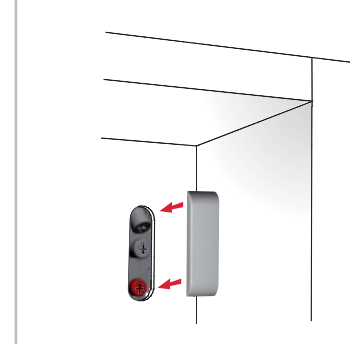
It is the responsibility of the customer:

- to ensure that the wall is of a suitable quality to hold the unit fixing in place.
- to use the proper hardware fittings according to the construction of the wall.

For more specific information, please refer to the WARNINGS section at the end of the catalogue.

COVER CAP INSERTING

- For details refer to "LIBRA COVER CAPS"



ADJUSTMENTS

1

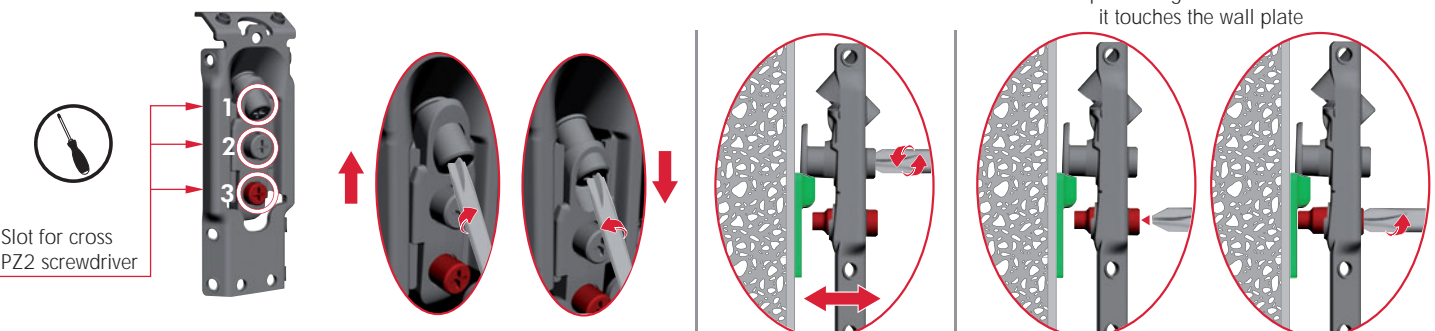
VERTICAL ADJUSTMENT
13 mm

2

IN-DEPTH ADJUSTMENT
12 mm

3

ANTI-TURNOVER LOCKING
Stop screwing the red bolt when it touches the wall plate



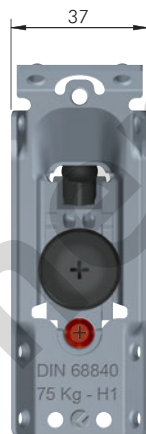
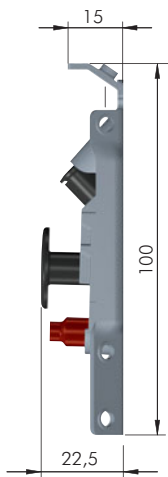
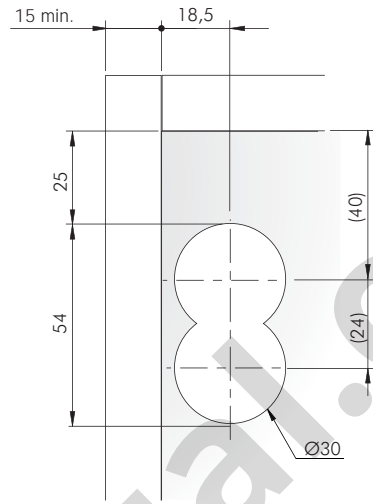
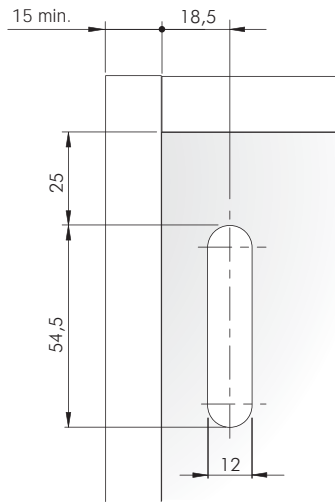
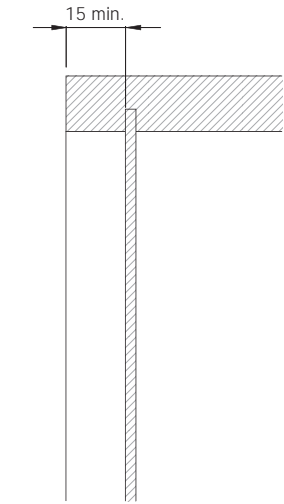
DRILLING PLAN FOR LIBRA H1 FIXED UNDER THE CABINET TOP

SIDE PANEL AND SERVICE GAP

BACK PANEL

Libra CC1-CC4-CC5 cover cap

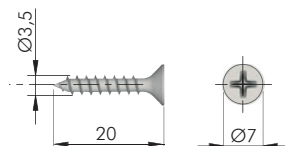
Libra CC2 cover cap



= PZ2
 = 100 pcs.
63420015ZN

NOTE: for technical details about wall plates and cover caps please refer to the related sections "LIBRA WALL PLATES" on page 12.65 and "LIBRA COVER CAPS" on page 12.68.

LIBRA H1 FIXING ACCESSORY



= PZ2 = 5000 pcs.
60101410ZN