

COMPACT SYSTEM LIFT UP

COMPACT is the new gas and oil stay conception with a completely new design to open flap doors.

It has been conceived to be installed by using standard automatic drilling processes. It is available in several newton strengths to suit small-medium-big-maxi size doors. It can be directly fixed on solid doors or wider aluminium frame section doors. For small aluminium sections a range of special adaptors is available.

COMPACT is available in:

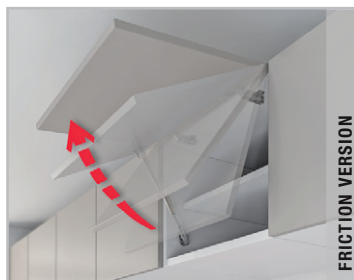
- Automatic S.F. version, once you begin to open the door, it continues to open gently and completely by itself.

- Friction version, the stay holds the door in any position required.

Quick and easy installing:

Just slot the piston onto the door bracket and then easily click it against the side bracket. A plastic cover to be placed on the door bracket can be provided and personalized on request.

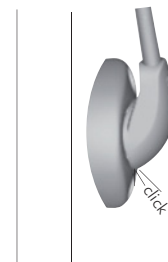
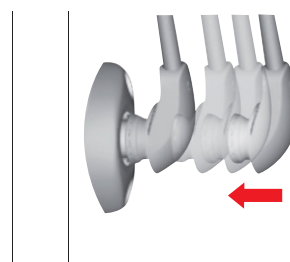
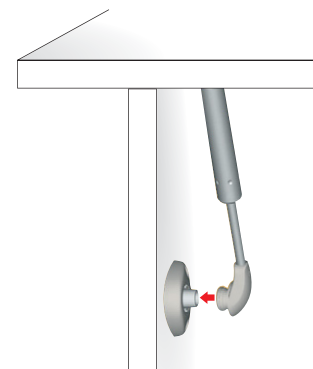
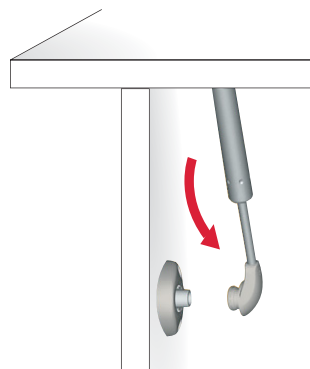
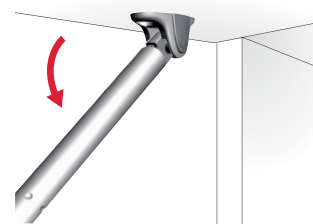
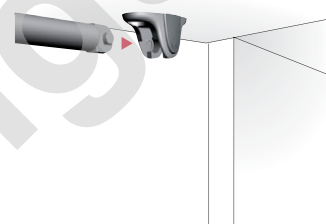
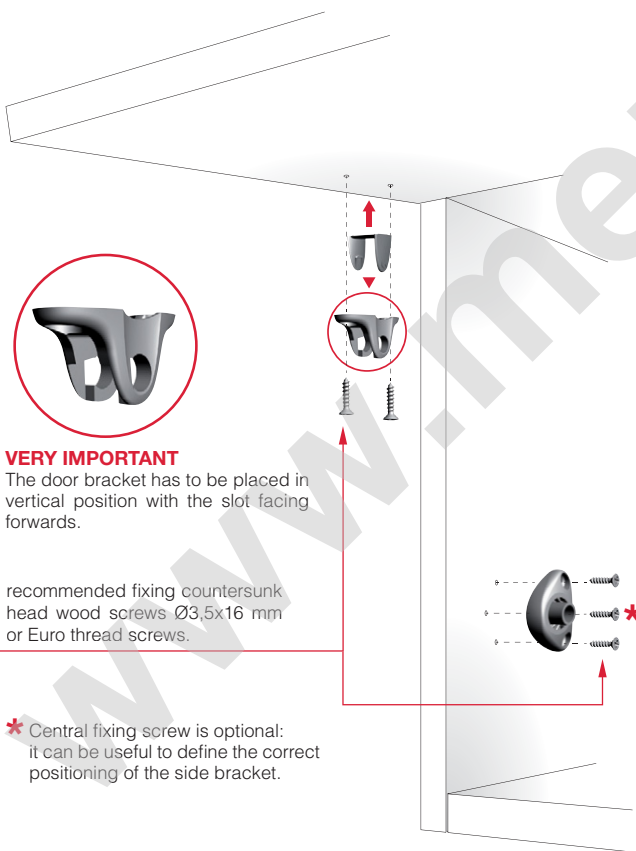
All the parts (stay excluded) are in zinc alloy nickel-plated and engineering plastic.



PATENTED
UNI 8607/05 Level 5



INSTALLATION



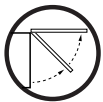


LIFT UP



ZAnk EP ST

= 100 pcs.



COMPACT FRICTION VERSION

Further newton strengths available on request.

L		
164	42301010UZ	45
	42302010UZ	60

L		
244	42311010UZ	45
	42312010UZ	60
	42313010UZ	90
	42314010UZ	120

L		
355	42330010UZ	45
	42331010UZ	60
	42332010UZ	90
	42333010UZ	120



COMPACT AUTOMATIC VERSION

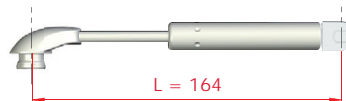
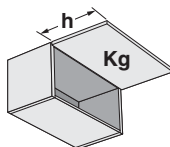
Further newton strengths available on request.

L		
164	42401010UZ	50
	42402010UZ	80
	42403010UZ	120

L		
244	42410010UZ	50
	42412010UZ	80
	42413010UZ	100
	42414010UZ	120
	42415010UZ	140

L		
355	42430010UZ	50
	42431010UZ	80
	42432010UZ	100
	42433010UZ	120

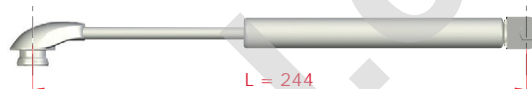
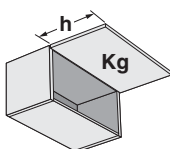
Number of stays chart - L 164 mm



Rev. 02

h	Compact version	Door weight (Kg)										Compact version
		1	2	3	4	5	6	7	8	9	10	
230 - 274	Automatic	1x80N	2x80N		2x120N		3x120N			4x120N		Automatic
	Friction	1x45N	2x45N				2x60N			3x60N		Friction
275 - 325	Automatic	1x80N	2x80N	2x120N		3x120N			4x120N		Automatic	
	Friction	1x60N	2x45N		2x60N		3x60N	4x60N			Friction	

Number of stays chart - L 244 mm

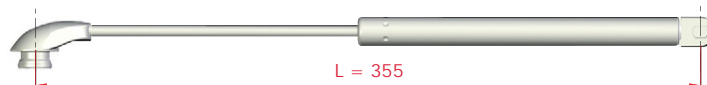
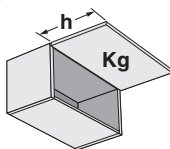


Rev. 02

h	Compact version	Door weight (Kg)													Compact version
		1	2	3	4	5	6	7	8	9	10	11	12	13	
300 - 324	Automatic	1x80N		2x50N		2x80N		2x100N		2x120N		2x140N	2x160N*		Automatic
	Friction	1x45N		1x60N	2x45N			2x60N			2x90N			Friction	
325 - 374	Automatic	1x80N		2x50N	2x80N		2x100N	2x120N		2x140N	2x160N*		2x180N*		Automatic
	Friction	1x45N	1x60N	2x45N		2x60N			2x90N			2x120N		Friction	
375 - 424	Automatic	1x80N	2x50N	2x80N		2x100N	2x120N	2x140N	2x160N*		2x180N*	2x240N*		Automatic	
	Friction	1x45N	1x60N	2x45N		2x60N			2x90N		2x120N			Friction	
425 - 474	Automatic	2x50N		2x80N		2x100N	2x120N	2x140N	2x160N*		2x180N*		3x160N*	Automatic	
	Friction	1x60N		2x45N		2x60N		2x90N			2x120N		3x90N	Friction	
475 - 524	Automatic	2x80N			2x100N		2x120N	2x140N	2x160N*		2x180N*		3x160N*		Automatic
	Friction	2x45N			2x60N		2x90N		2x120N	3x90N		3x120N		Friction	

* Strenths available on request.

Number of stays chart - L 355 mm



Rev. 02

h	Compact version	Door weight (Kg)													Compact version
		1	2	3	4	5	6	7	8	9	10	11	12	13	
400 - 424	Automatic	1x80N			2x50N			2x80N			2x100N	2x120N		2x160N	Automatic
	Friction	2x45N						2x60N						Friction	
425 - 474	Automatic	1x80N	2x50N	2x80N			2x100N		2x120N	2x160N			Automatic		
	Friction	2x45N						2x60N			2x90N		Friction		
475 - 524	Automatic	1x80N	2x50N	2x80N		2x100N	2x120N	2x160N		2x180N		2x200N	Automatic		
	Friction	2x45N						2x60N			2x90N		Friction		
525 - 574	Automatic	1x80N	2x50N	2x80N	2x100N	2x100N	2x160N			2x180N		2x200N	Automatic		
	Friction	2x45N				2x60N				2x90N			Friction		
575 - 624	Automatic	2x50N		2x80N	2x100N	2x120N	2x160N			2x180N	2x200N		Automatic		
	Friction	2x45N					2x60N			2x90N			Friction		
625 - 700	Automatic	2x50N		2x80N	2x100N	2x120N	2x160N			2x180N	2x200N		Automatic		
	Friction	2x45N			2x60N			2x90N		2x120N			Friction		

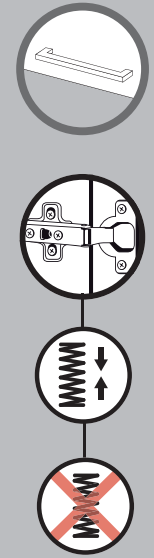
These are experimental results to be checked by the customer. Our Technical Department is at your disposal to test further cases out of this charts.



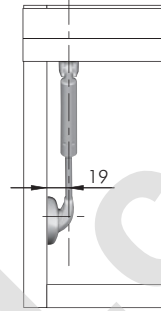
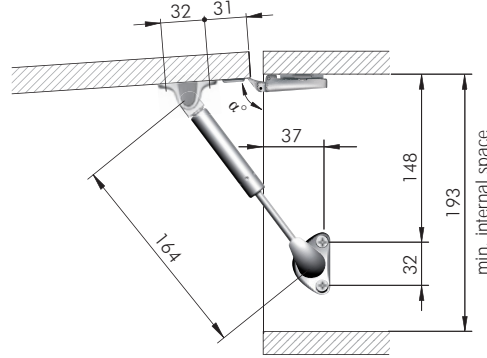
COMPACT CONFIGURATOR:



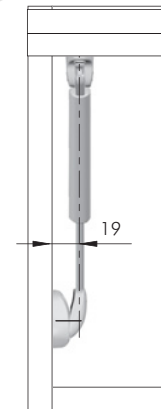
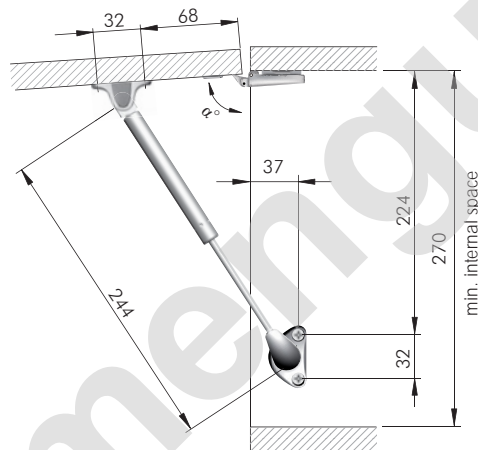
LIFT UP DRILLING PLANS WITH STANDARD HINGES - OPENING WITH HANDLE



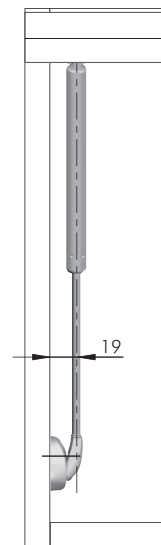
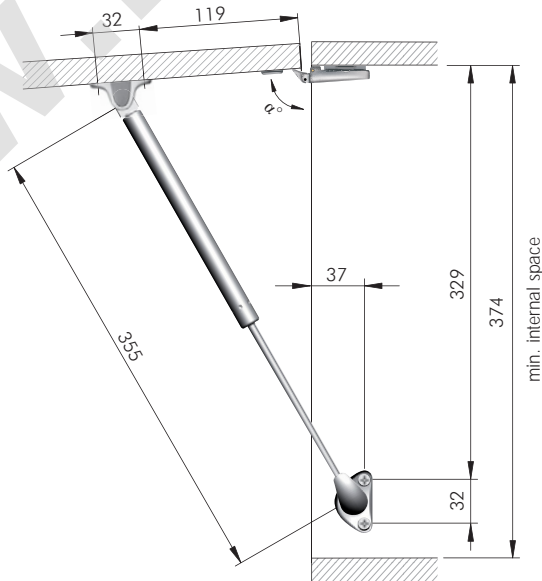
L 164 mm



L 244 mm



L 355 mm



The dimensions of the above drilling plans refer to carcasses which use **standard sprung or unsprung hinges** and mounting plates 0 mm. Please note that the α° opening angle shown data is purely indicative. It varies with respect to the hinge brand and adjustment carried out.

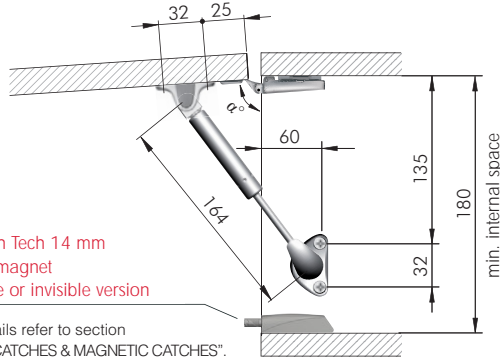


Please note that in case of use of **unsprung hinges**, **magnet K Lock** is required. For details refer to section "PUSH CATCHES & MAGNETIC CATCHES".



LIFT UP DRILLING PLANS WITH STANDARD HINGES - PUSH TO OPEN

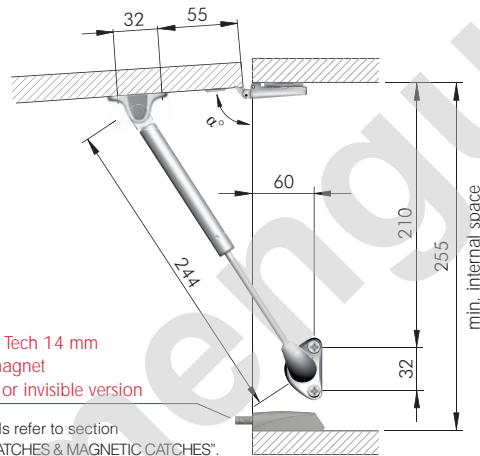
L 164 mm



- K Push Tech 14 mm
- With magnet
- Visible or invisible version

For details refer to section "PUSH CATCHES & MAGNETIC CATCHES".

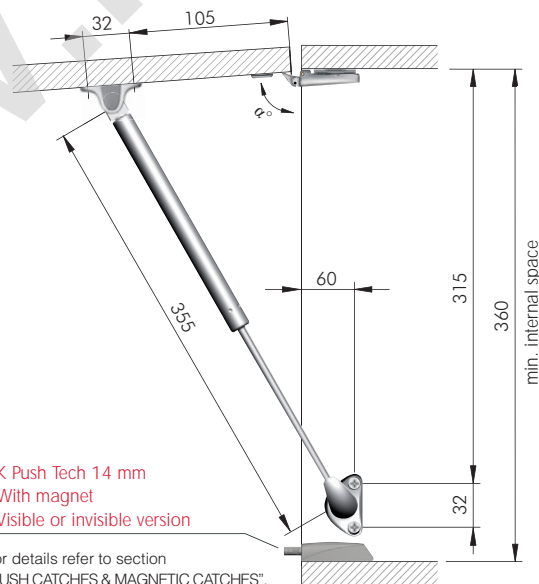
L 244 mm



- K Push Tech 14 mm
- With magnet
- Visible or invisible version

For details refer to section "PUSH CATCHES & MAGNETIC CATCHES".

L 355 mm



- K Push Tech 14 mm
- With magnet
- Visible or invisible version

For details refer to section "PUSH CATCHES & MAGNETIC CATCHES".

The dimensions of the above drilling plans refer to carcasses which use **standard unsprung hinges** and mounting plates 0 mm. Please note that the α° opening angle shown data is purely indicative. It varies with respect to the hinge brand and adjustment carried out.



Please note that utilization with **standard sprung hinges** and **K Push Tech with buffer** is also possible. In such case, after the door is initially released by K Push Tech, a manual opening approx. 7cm is required (in order to win the spring resistance). Consequently, the door will automatically open to the fullest. For details refer to section "PUSH CATCHES & MAGNETIC CATCHES".



 **COMPACT DROP DOWN**



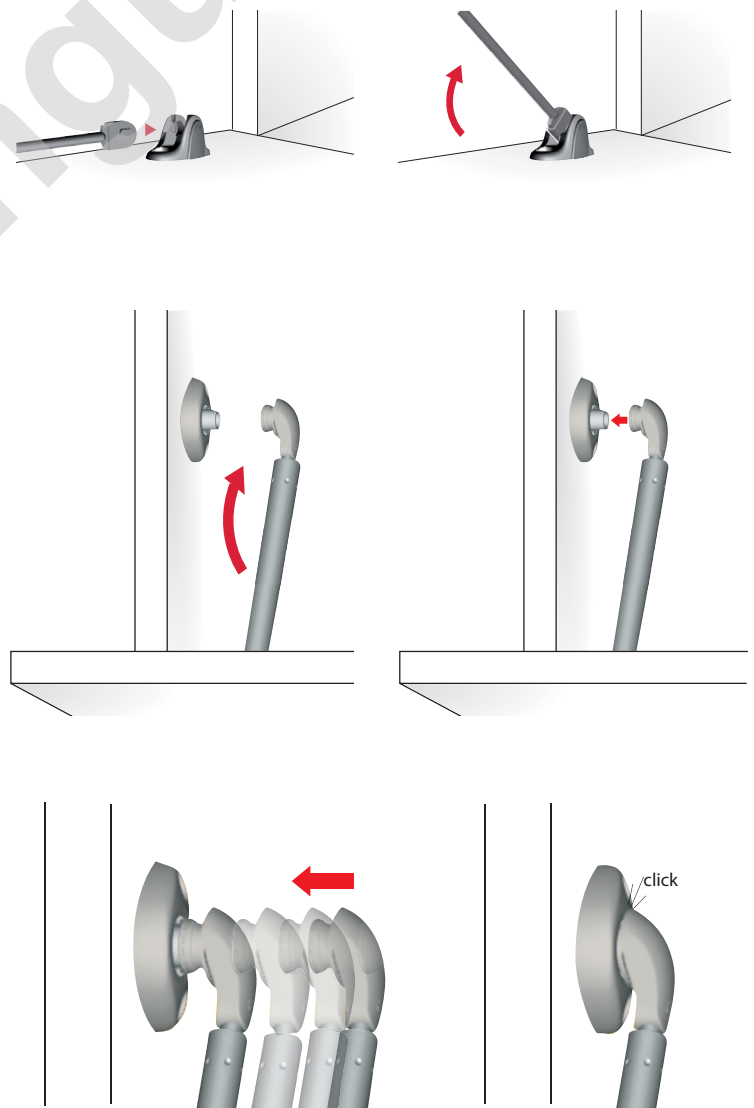
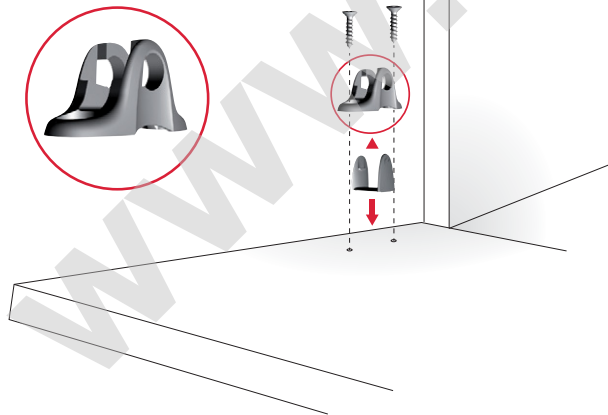
PATENTED
UNI 8607/05 Level 5 

INSTALLATION

recommended fixing countersunk head wood screws Ø3,5x16 mm or Euro thread screws

* Central fixing screw is optional: it can be useful to define the correct positioning of the side bracket.

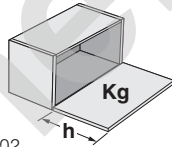
VERY IMPORTANT
The side bracket has to be placed with the slot in horizontal position and the open end facing the wall.



DROP DOWN



Number of stays chart - L 164 mm



Rev. 02

h	Door weight (Kg)					
	1	2	3	4	5	6
200 - 284	2 x Compact		3 x Compact		4 x Compact	

Number of stays chart - L 244 mm

Rev. 02

h	Door weight (Kg)												
	1	2	3	4	5	6	7	8	9	10	11	12	13
280 - 324	2 x Compact						3 x Compact					4 x Compact	
325 - 424	2 x Compact						3 x Compact					4 x Compact	
425 - 500	2 x Compact						3 x Compact					4 x Compact	

Number of stays chart - L 355 mm

Rev. 02

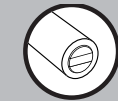
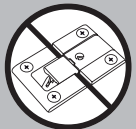
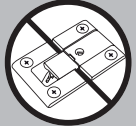
h	Door weight (Kg)												
	1	2	3	4	5	6	7	8	9	10	11	12	13
380 - 500	2 x Compact										3 x Compact		
501 - 600	2 x Compact								3 x Compact				

These are experimental results to be checked by the customer. **In accordance with the actual European regulation, we suggest to use at least two stays for each door (extra-size doors might require 3 or more gas stays).** Our technical department is at your disposal to test further cases out of this chart.



DROP DOWN DRILLING PLANS WITH KIMANA HINGE

COMPACT CONFIGURATOR:



L 164 mm

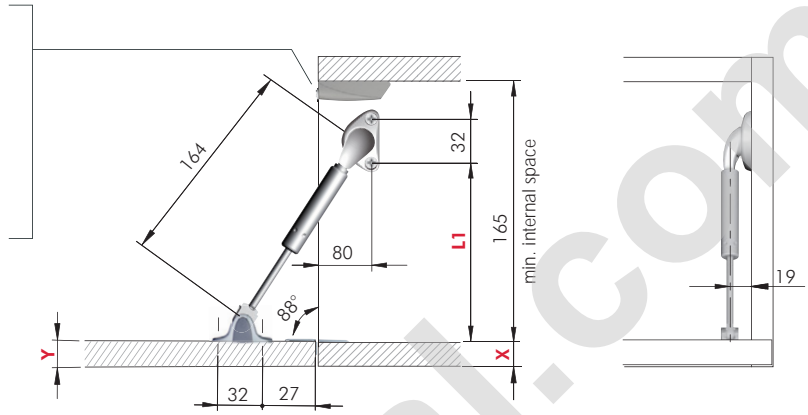


- Magnet K Lock
- Visible or invisible



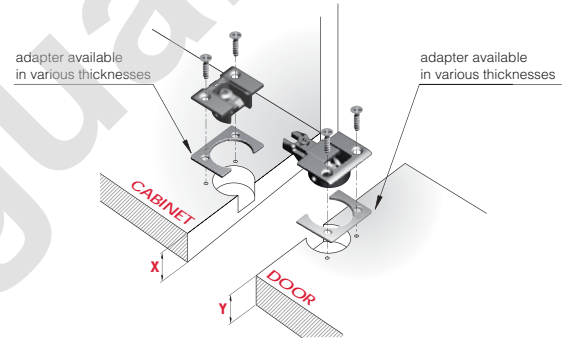
- K Push Tech 20 mm
- With magnet
- Visible or invisible

For details refer to section "PUSH CATCHES & MAGNETIC CATCHES".



Cabinet (X)		Door (Y)		L1
16 mm	4 mm	16 mm	2 mm	117
16 mm	4 mm	19 mm	-	119
18 mm	2 mm	18 mm	-	117
19 mm	-	16 mm	2 mm	113
19 mm	-	19 mm	-	115
20 mm	-	20 mm	-	115

For Kimana and adapter details refer to section "HINGES".



L 244 mm

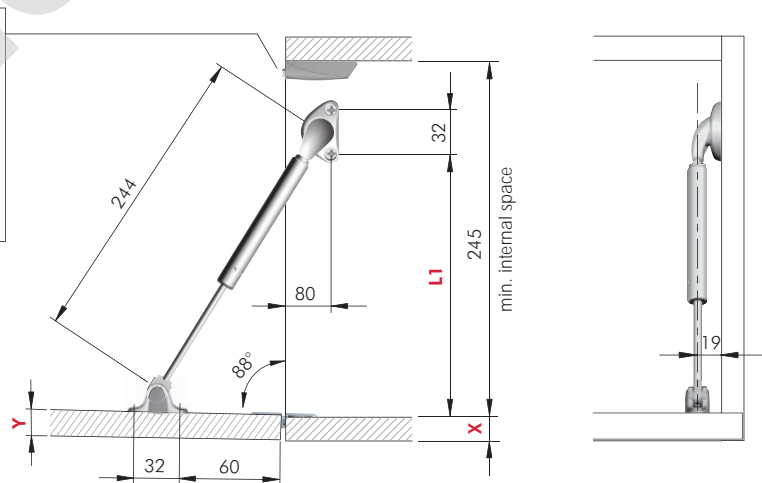


- Magnet K Lock
- Visible or invisible



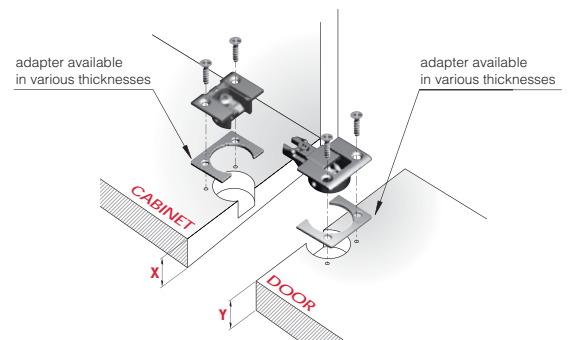
- K Push Tech 20 mm
- With magnet
- Visible or invisible

For details refer to section "PUSH CATCHES & MAGNETIC CATCHES".



Cabinet (X)		Door (Y)		L1
16 mm	4 mm	16 mm	2 mm	197
16 mm	4 mm	19 mm	-	199
18 mm	2 mm	18 mm	-	197
19 mm	-	16 mm	2 mm	193
19 mm	-	19 mm	-	195
20 mm	-	20 mm	-	195

For Kimana and adapter details refer to section "HINGES".

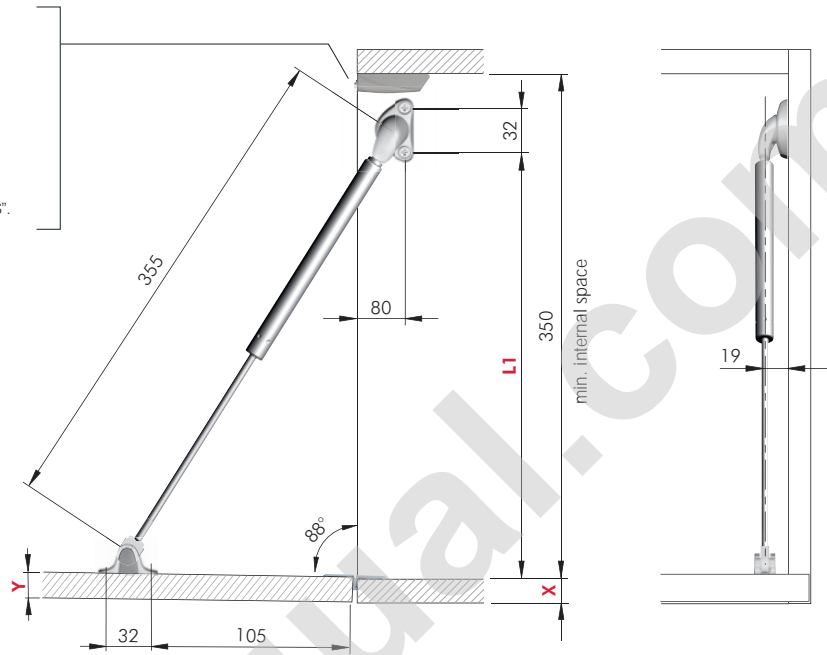


L 355 mm

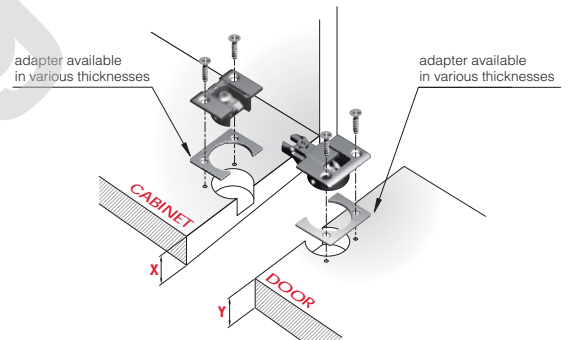
- Magnet K Lock
- Visible or invisible

- K Push Tech 20 mm
- With magnet
- Visible or invisible

For details refer to section
"PUSH CATCHES & MAGNETIC CATCHES".



Cabinet (X)		Door (Y)		L1
16 mm	4 mm	16 mm	2 mm	302
16 mm	4 mm	19 mm	-	304
18 mm	2 mm	18 mm	-	302
19 mm	-	16 mm	2 mm	298
19 mm	-	19 mm	-	300
20 mm	-	20 mm	-	300



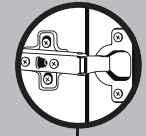
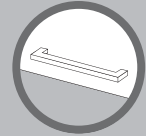
For Kimana and adapter details refer to section "HINGES".

www.mengual.com

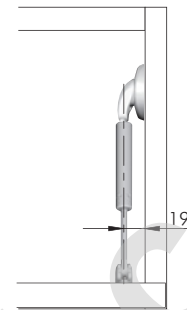
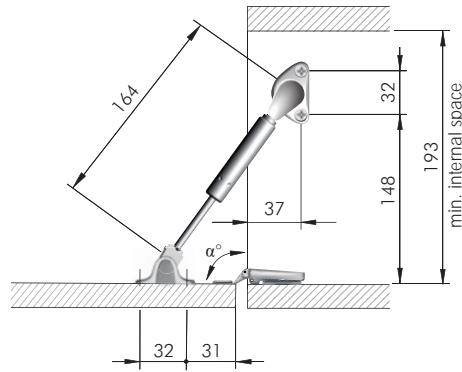


DROP DOWN DRILLING PLANS WITH STANDARD HINGES - OPENING WITH HANDLE

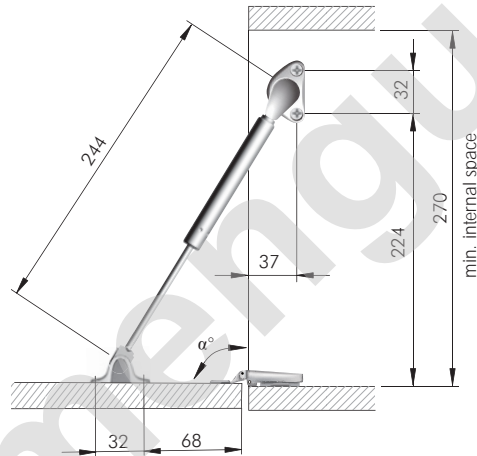
COMPACT CONFIGURATOR:



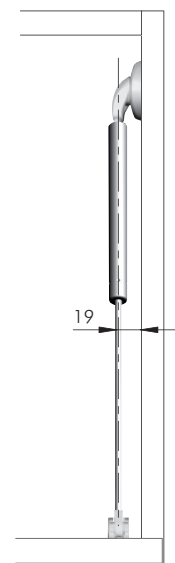
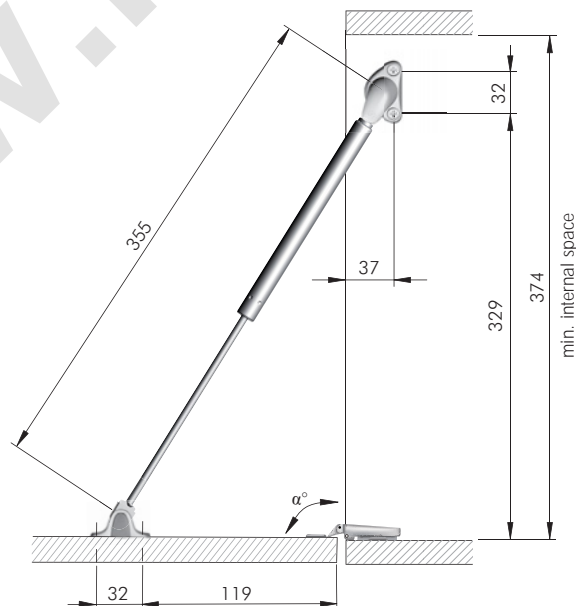
L 164 mm



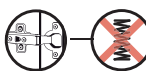
L 244 mm



L 355 mm



The dimensions of the drilling plans refer to carcasses which use **standard sprung hinges** and mounting plates 0 mm. Please note that the α° opening angle shown data is purely indicative. It varies with respect to the hinge brand and adjustment carried out.



Please note that in case of use of **unsprung hinges**, magnet **K Lock** is required. For details refer to section "PUSH CATCHES & MAGNETIC CATCHES".

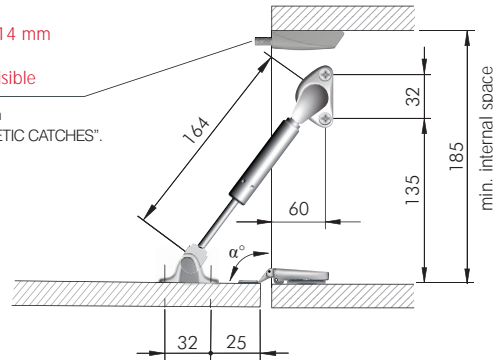


DROP DOWN DRILLING PLANS WITH STANDARD HINGES - PUSH TO OPEN

L 164 mm

- K Push Tech 14 mm
- With magnet
- Visible or invisible

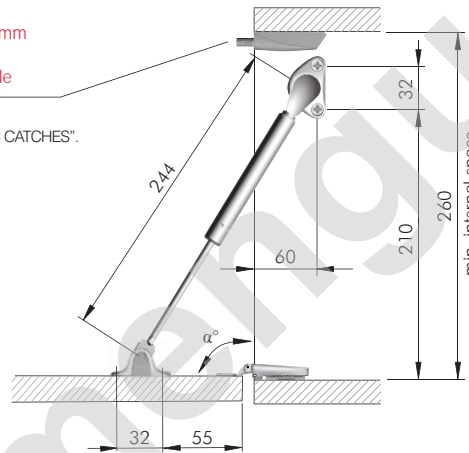
For details refer to section "PUSH CATCHES & MAGNETIC CATCHES".



L 244 mm

- K Push Tech 14 mm
- With magnet
- Visible or invisible

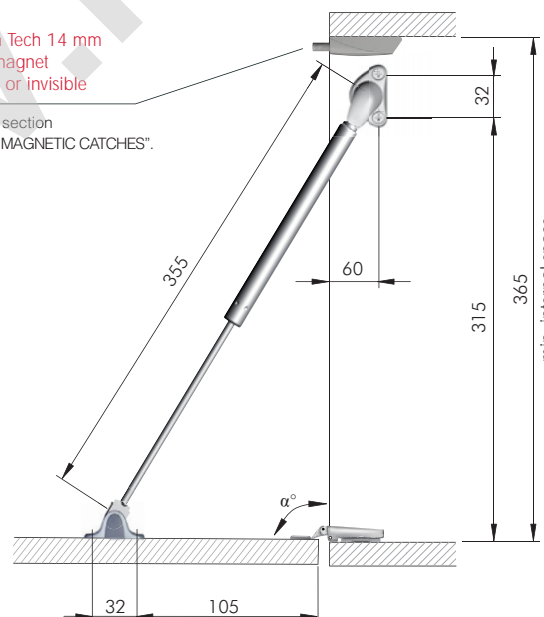
For details refer to section "PUSH CATCHES & MAGNETIC CATCHES".



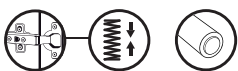
L 355 mm

- K Push Tech 14 mm
- With magnet
- Visible or invisible

For details refer to section "PUSH CATCHES & MAGNETIC CATCHES".



The dimensions of the drilling plan refer to carcasses which use **standard unsprung hinges** and mounting plates 0 mm. Please note that the α° opening angle shown data is purely indicative. It varies with respect to the hinge brand and adjustment carried out.



Please note that utilization with **standard sprung hinges** and **K Push Tech with buffer** is also possible. In such case, after the door is initially released by K Push Tech, a manual opening approx. 7cm is required (in order to win the spring resistance). Consequently, the door will automatically open to the fullest. For details refer to section "PUSH CATCHES & MAGNETIC CATCHES".



COMPACT CONFIGURATOR:

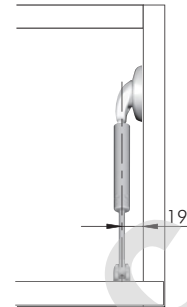
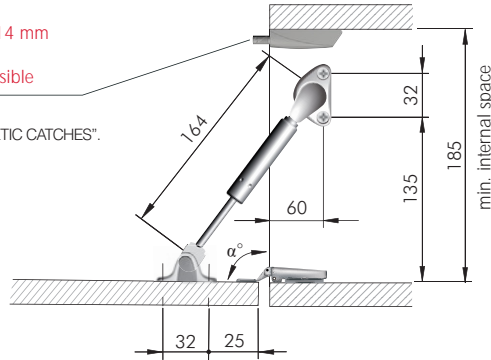


DROP DOWN DRILLING PLANS WITH STANDARD HINGES - PUSH TO OPEN

L 164 mm

- K Push Tech 14 mm
- With magnet
- Visible or invisible

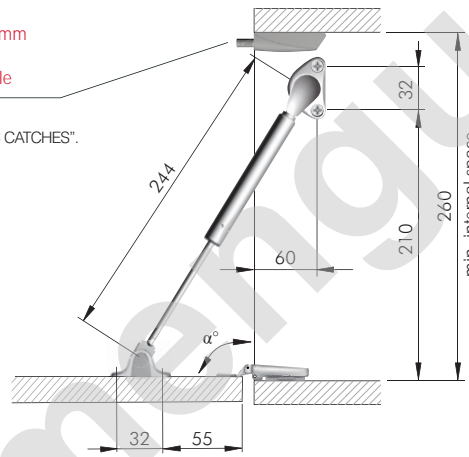
For details refer to section "PUSH CATCHES & MAGNETIC CATCHES".



L 244 mm

- K Push Tech 14 mm
- With magnet
- Visible or invisible

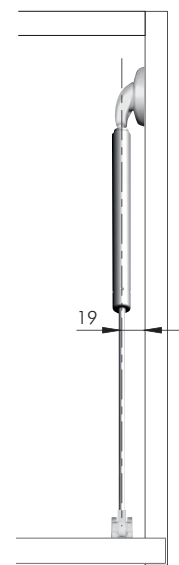
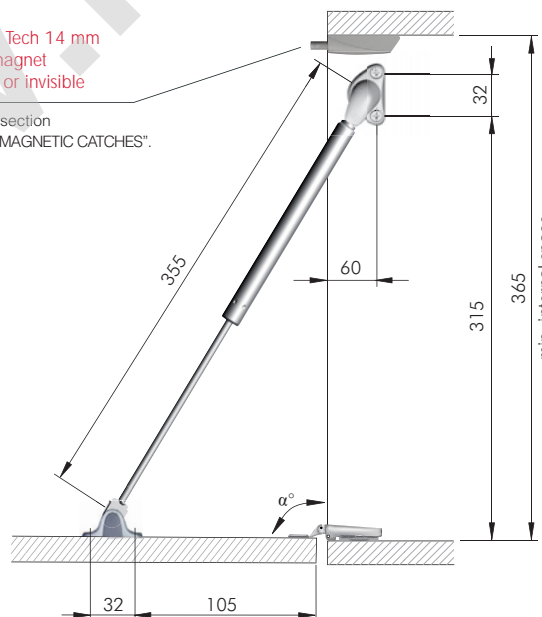
For details refer to section "PUSH CATCHES & MAGNETIC CATCHES".



L 355 mm

- K Push Tech 14 mm
- With magnet
- Visible or invisible

For details refer to section "PUSH CATCHES & MAGNETIC CATCHES".



The dimensions of the drilling plan refer to carcasses which use **standard unsprung hinges** and mounting plates 0 mm. Please note that the α° opening angle shown data is purely indicative. It varies with respect to the hinge brand and adjustment carried out.



Please note that utilization with **standard sprung hinges** and **K Push Tech with buffer** is also possible. In such case, after the door is initially released by K Push Tech, a manual opening approx. 7cm is required (in order to win the spring resistance). Consequently, the door will automatically open to the fullest. For details refer to section "PUSH CATCHES & MAGNETIC CATCHES".



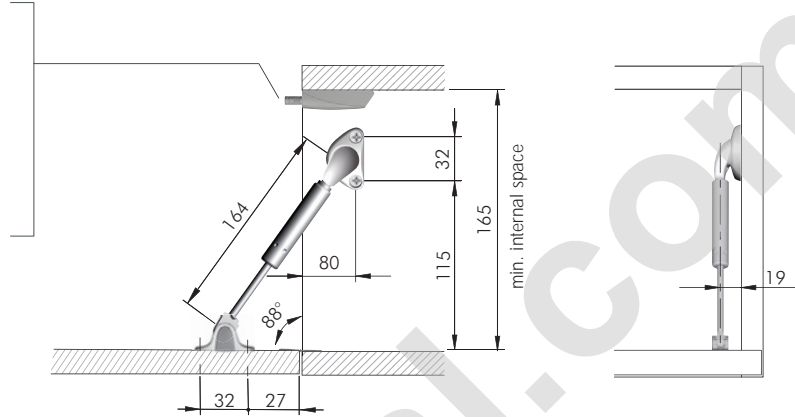
DROP DOWN DRILLING PLANS WITH FLAP HINGE

L 164 mm

- Magnet K Lock
- Visible or invisible

- K Push Tech 20 mm
- With magnet
- Visible or invisible

For details refer to section "PUSH CATCHES & MAGNETIC CATCHES".

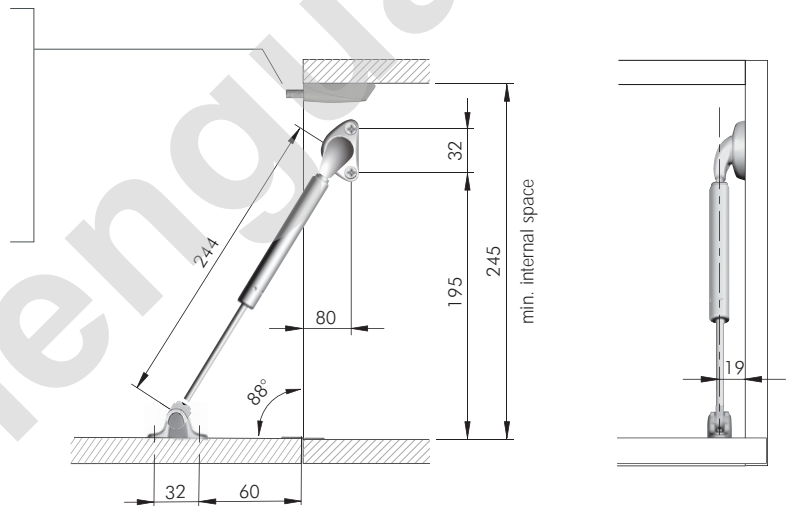


L 244 mm

- Magnet K Lock
- Visible or invisible

- K Push Tech 20 mm
- With magnet
- Visible or invisible

For details refer to section "PUSH CATCHES & MAGNETIC CATCHES".

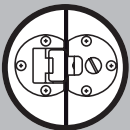
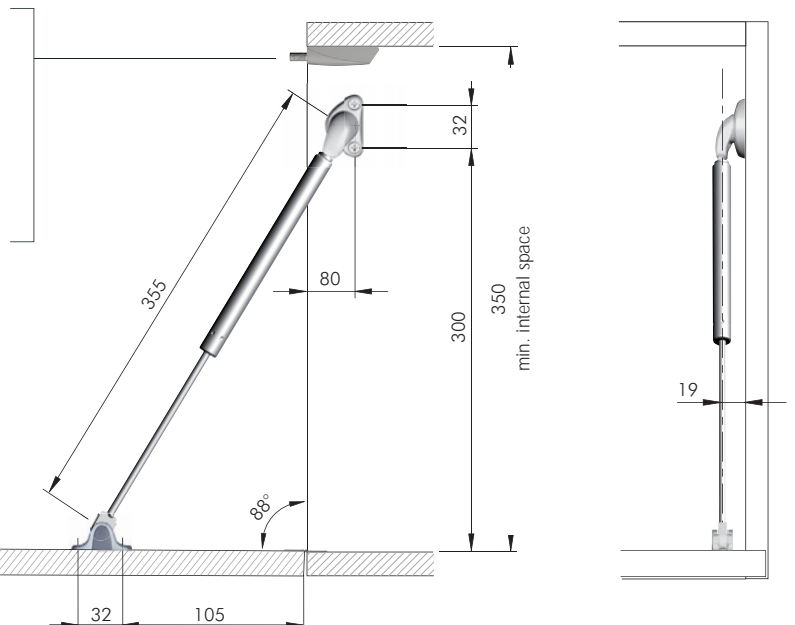


L 355 mm

- Magnet K Lock
- Visible or invisible

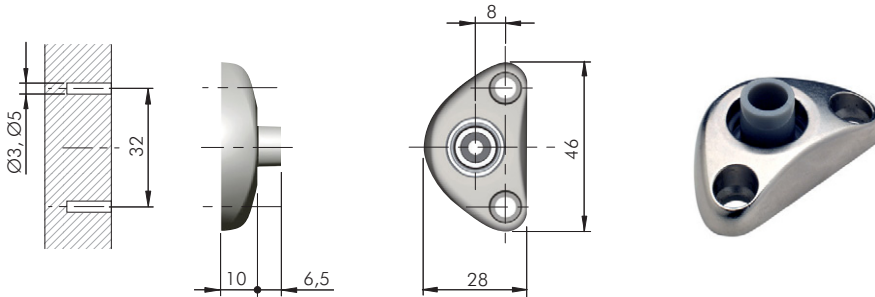
- K Push Tech 20 mm
- With magnet
- Visible or invisible





For details refer to section "PUSH CATCHES & MAGNETIC CATCHES".

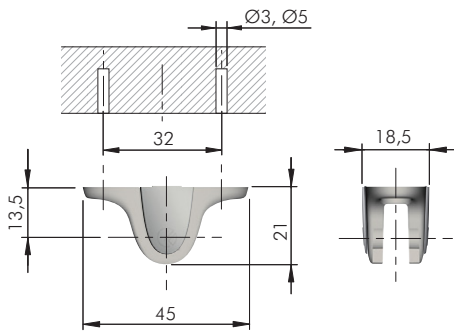








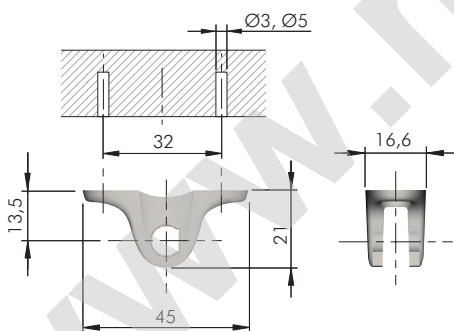
COMPACT BRACKETS







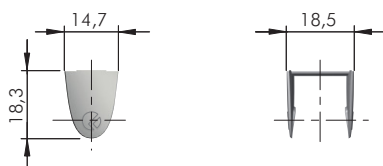
 = Ø 3, Ø 5 mm
 ZA EP  = 100 pcs.
 
 42911010YA






 = Ø 3, Ø 5 mm
 ZA  = 100 pcs.
 
 4291802000

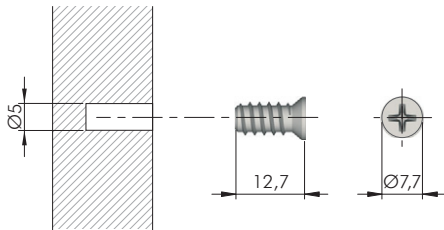


 = Ø 3, Ø 5 mm
 ZA  = 100 pcs.
 
 42918010YC

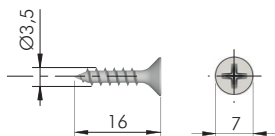


EPg  = 100 pcs.
 
 4291901000

COMPACT FIXING ACCESSORIES



= Ø 5 mm	= PZ2	= 5000 pcs.
60501050YA		



= Ø 2,5 mm	= PZ2	= 10.000 pcs.
60101390YA		

www.mengual.com



COMPACT ADAPTERS FOR ALUMINIUM FRAME DOOR

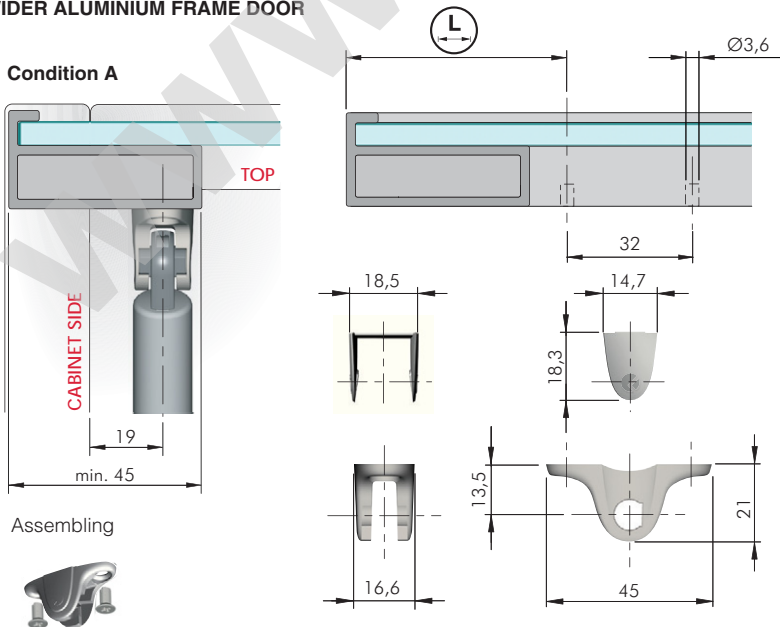


INSTALLATION ON WIDER ALUMINIUM FRAME DOOR

INSTALLATION ON NARROW ALUMINIUM FRAME DOOR



WIDER ALUMINIUM FRAME DOOR



= Ø 3,6 mm
 = 100 pcs.
 42918010YC
 4291901000