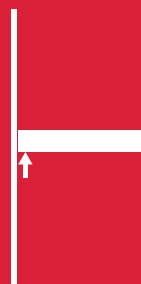




Triade Maxi



WOOD AND
GLASS
SHELVING
SYSTEMS

www.mengual.com

TRIADE MAXI

TRIADE MAXI is the concealed mounting bracket for shelves minimum 40mm thick. It has been conceived to simplify the shelf installation. It is provided with three independent adjustments:

- 1) VERTICAL: before installing the shelf, the mounting brackets can be adjusted in height and (vertically) aligned through the slots.
- 2) HORIZONTAL: while placing the shelf in position, the supporting pins can be slid horizontally.
- 3) INCLINATION: when the shelf is partially inserted, the shelf angle can be adjusted front to back by turning the supporting pins with a 12 mm open-ended wrench.

The capacity loading is 20 Kg each (shelf weight included) for a shelf max 400 mm deep. The minimum shelf depth required is 200 mm.

ADDITIONAL BENEFITS DUE TO SECURITY LOCKING FEATURE

- Simple additional drilling.
- Small diameter hole in the shelf (only Ø3,5 mm).
- Multiple assembly and disassembly of the shelf.
- Suitable for all thicknesses.
- Tested on plywood, mdf and chipboard.

40 mm min.



20 kg for each shelf support
for shelf 400 mm deep

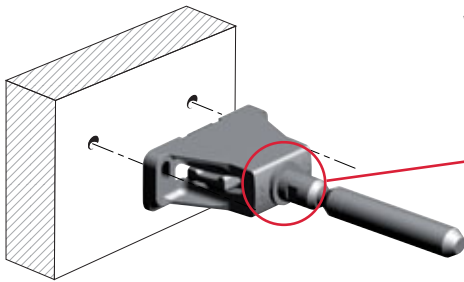


PAT. PENDING



INSTALLATION AND ADJUSTMENTS

WOOD PANEL

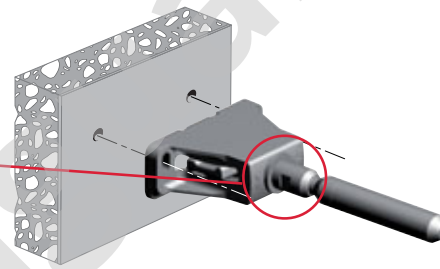


Recommended fixing pan head screw type - head Ø 5 mm max.

VERY IMPORTANT

Triade Maxi has to be installed with the arrow facing upwards.

SOLID AND PLASTERBOARD PANEL

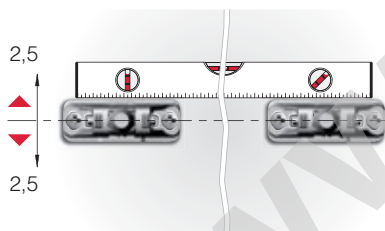


It is the responsibility of the customer:

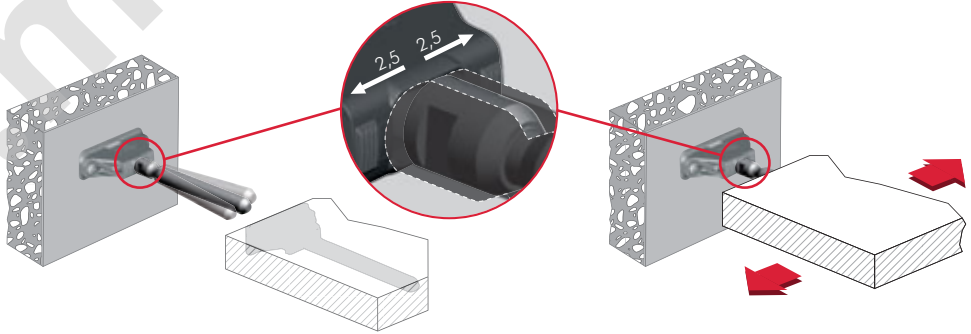
- to ensure the wall is of a suitable quality to hold the shelf fixing in place.
- to use the proper hardware fittings according to the construction of the wall.

For more specific information, please refer to the WARNINGS section at the end of the catalogue.

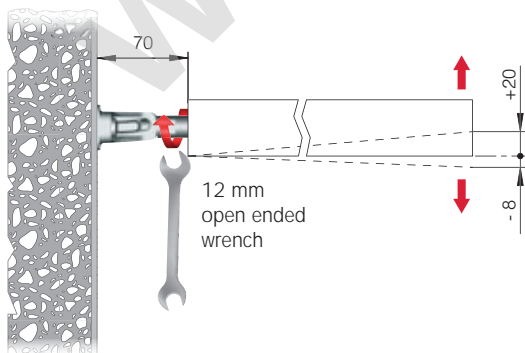
BRACKET ALIGNMENT



LATERAL ADJUSTMENT

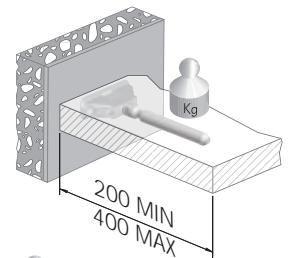
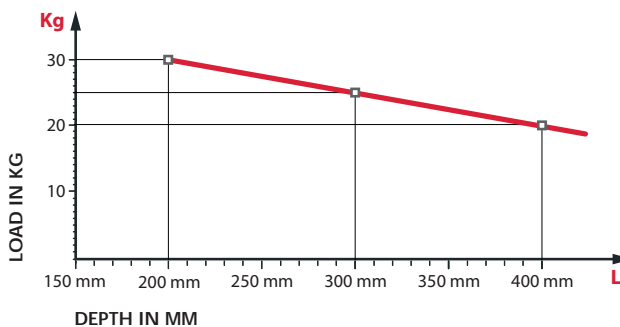


INCLINATION ADJUSTMENT

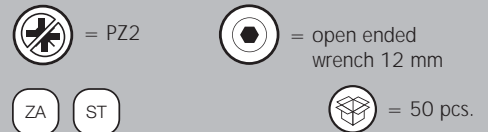


COMBINATION SHELF LOAD AND SHELF DEPTH

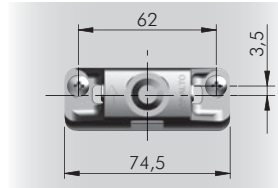
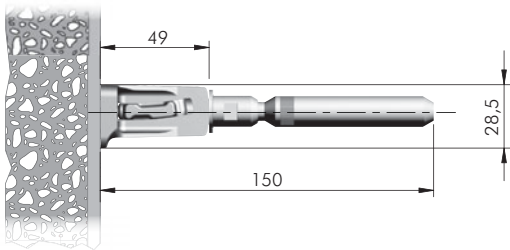
(The figures refer to 1 shelf support)



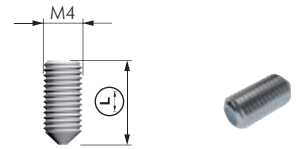
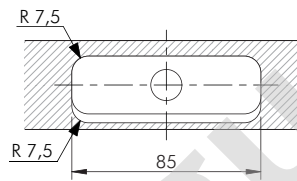
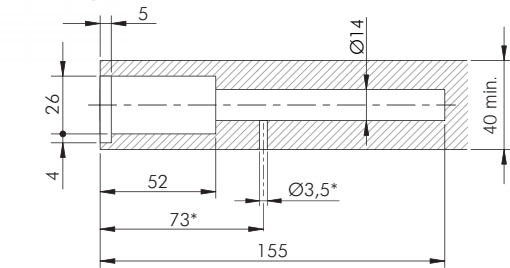
+ shelf weight = 20 kg
MAX for each shelf support



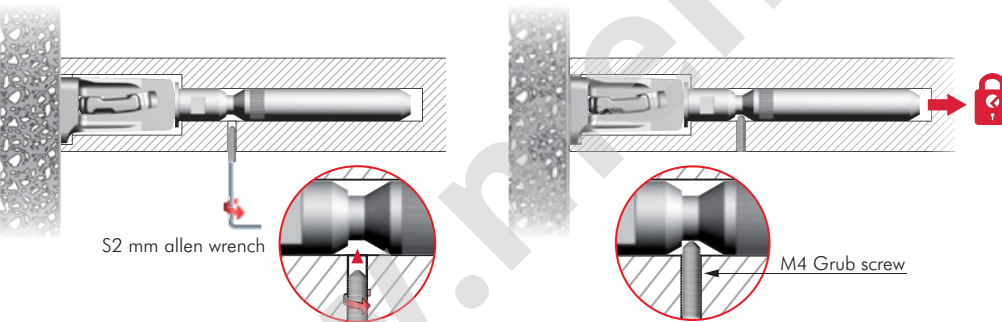
1621601000



VERY IMPORTANT
Centre of the hole is shifted 3,5 mm upwards. Please keep in mind when levelling the shelf.

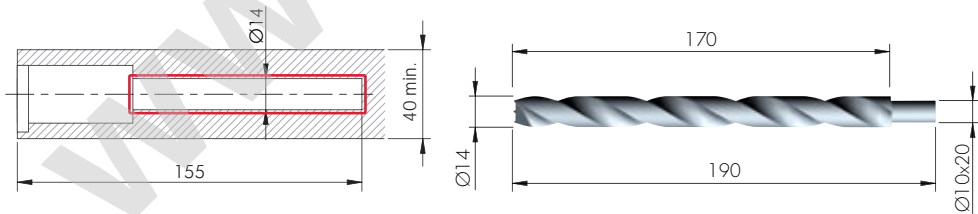


* Optional drilling for security locking with M4 grub screw placed underneath in alignment with the cavity.

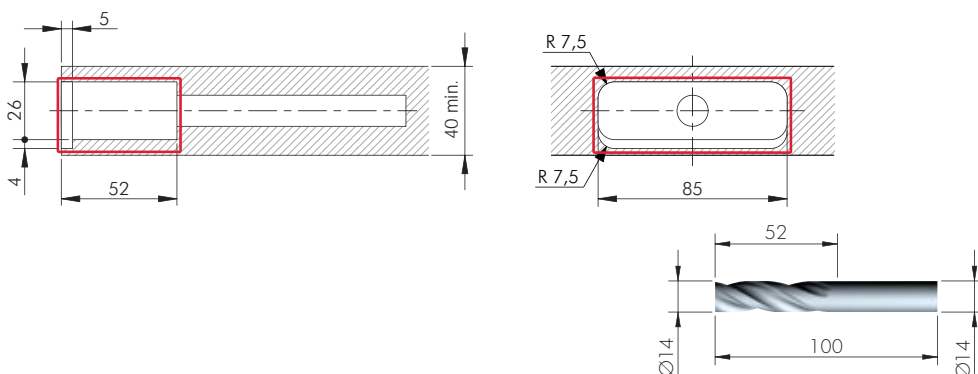


	= S2 mm		
	21105220Z		16
	21105060Z		20
			40
			50

DRILL BIT FOR TRIADE MAXI



HSS	
	1621452000



HSS	
	1621454000