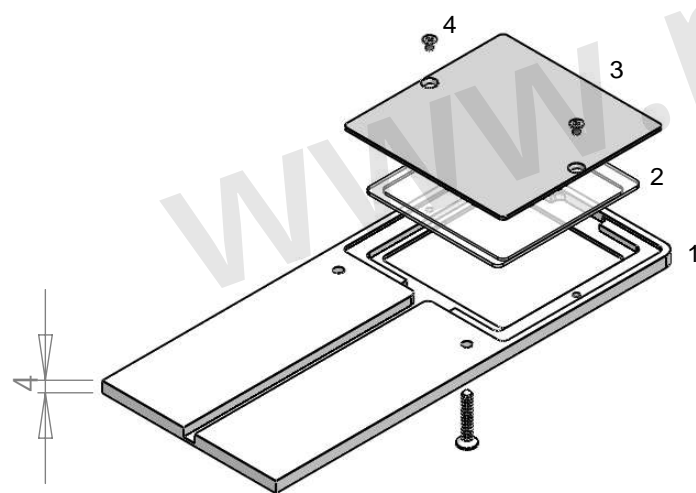
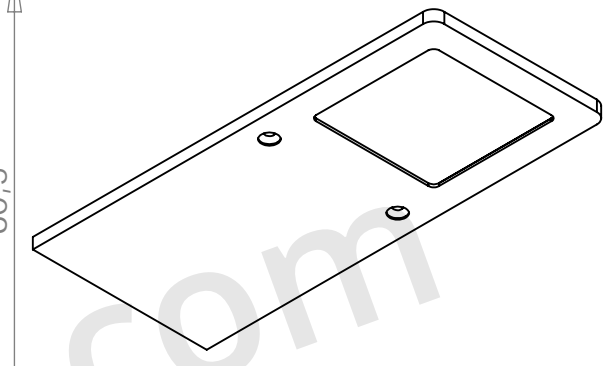
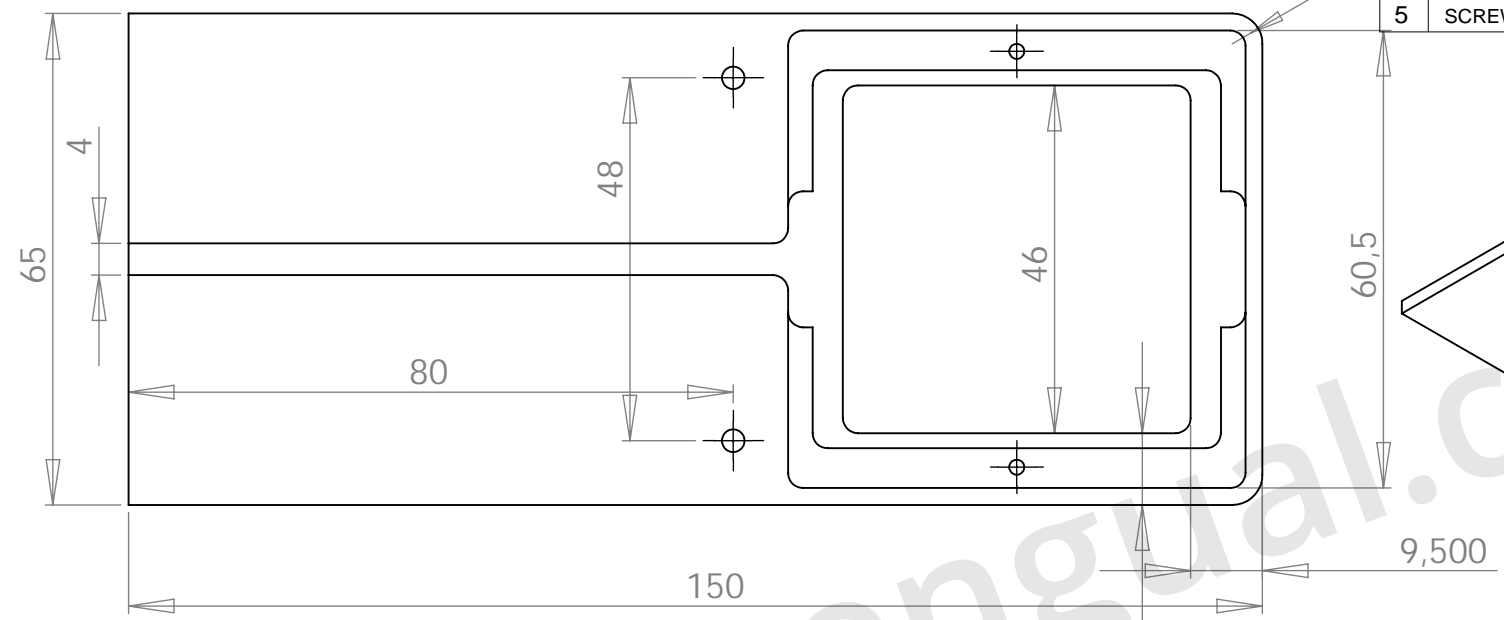


1 2 3 4 5 6

1	ALUMINUM PROFILE
2	PC DIFUSER
3	PLATE
4	SCREWS M2X3
5	SCREWS 2,5X12



1 2 3 4 5 6



MATERIAL	Aluminium	PARTS	5
MASS(G)	32,26	SCALE	1 : 1
AREAm.	117245	UNIT	MM
PAGE	1 of 1		

TOLERANCE UNLESS OTHERWISE SPECIFIED	
<=25	±0.1
>25-50	±0.2
>50-100	±0.3
>100-200	±0.5
>200	±1
ANGLE	±0.5°
RADIUS	0.3
CHAMFER	0.3-0.5x45°