

 **ITALIANA**<sup>®</sup>  
f e r r a m e n t a

APC 1  MENGUAL<sup>®</sup>



HANGERS

APC 1 AND APC 6 LIVING SETTINGS

---





APC 1

APC1 is a two-handed invisible screw fixing cabinet hanger.

APC1 requires a simple installation, without any pre-drilling operations. It can be installed on cabinets with a minimum sanitary gap of 15 mm. APC1 allows a vertical adjustment up to 18 mm and an in-depth adjustment of maximum 31 mm. The adjustments can be carried out from the inside of the cabinet by using a standard PZ2 screwdriver.

Also featured in the APC family are 1 type of wall plate and 2 types of wall bars made of very thick zinc-coated steel and hardened by punched impressions. Wall bars and wall plates feature oval holes which facilitate the correct positioning and give possibility to carry out the horizontal adjustment. Also available 2 different cover caps: one round version for Ø20 mm hole and one square version for double Ø12 mm holes.

FEATURES AND BENEFITS

- WIDE ADJUSTMENT RANGE: vertical and in-depth adjustments.
- NO PRE-DRILLINGS: no pre-drilling operations are required for the cabinet installation.
- ONE COVER CAP: only one hole is needed to provide access to all adjustments.

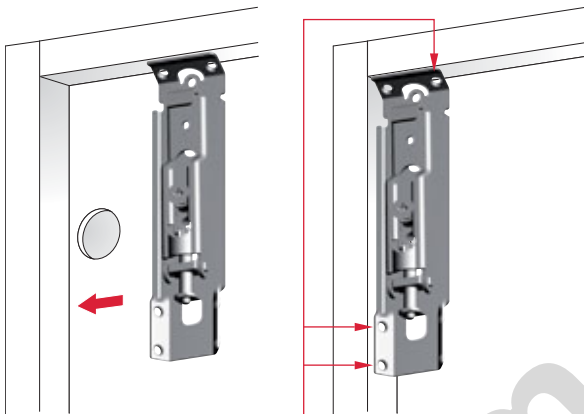
70 Kg per piece



Certificates available on request.

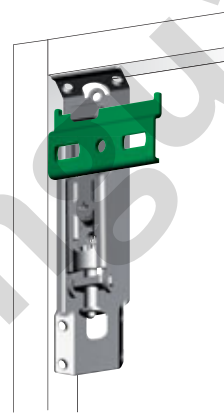


INSTALLATION UNDER THE CABINET TOP



recommended fixing countersunk head wood screws Ø3,5x20 mm

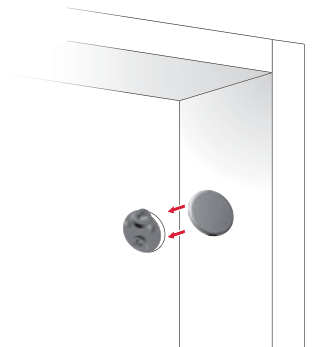
INSTALLATION ON THE WALL



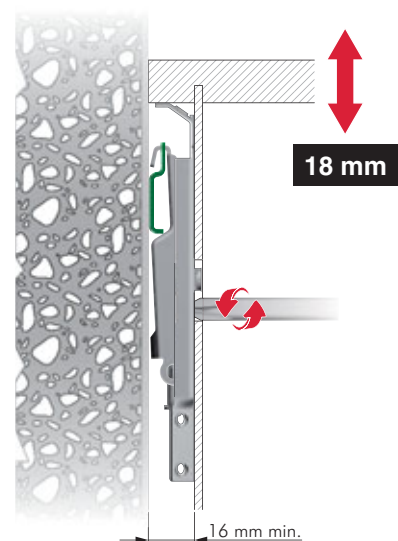
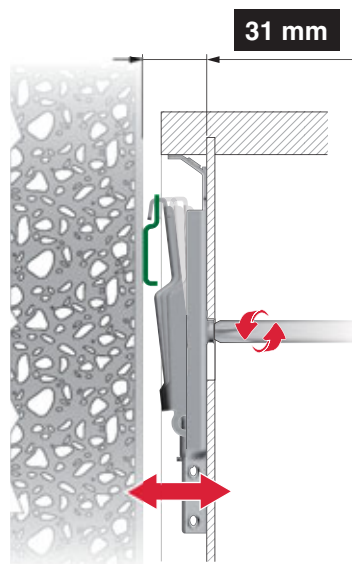
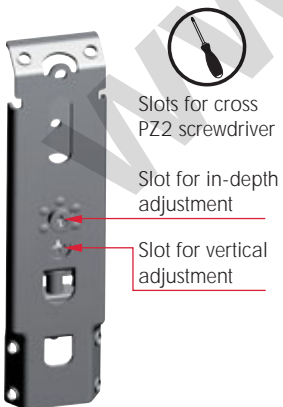
It is the responsibility of the customer:  
 - to ensure that the wall is of a suitable quality to hold the unit fixing in place.  
 - to use the proper hardware fittings according to the construction of the wall.

For more specific information, please refer to the WARNINGS section at the end of the catalogue.

COVER CAP INSERTING

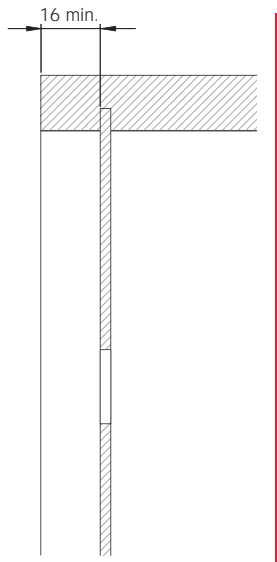


ADJUSTMENTS



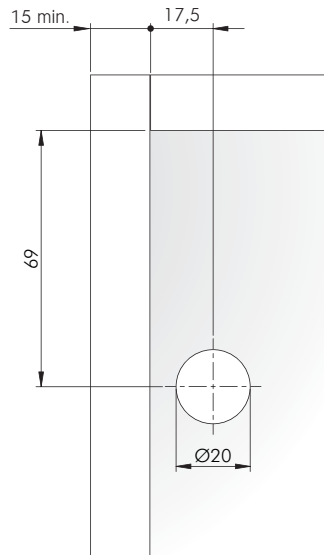
DRILLING PLAN FOR APC 1 FIXED UNDER THE CABINET TOP

SIDE PANEL AND SERVICE GAP

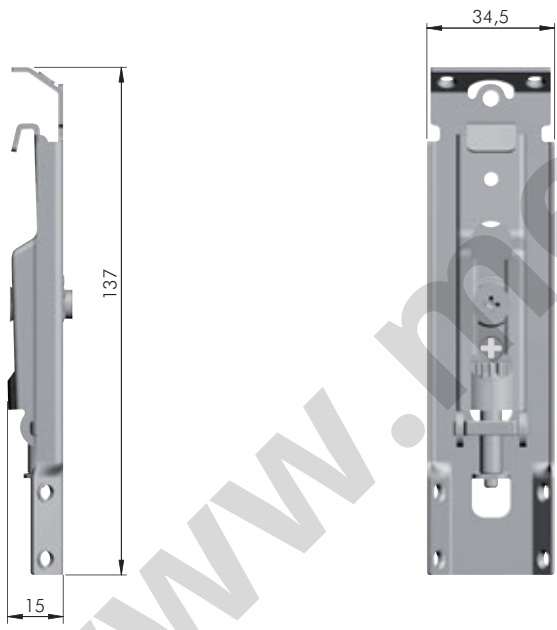
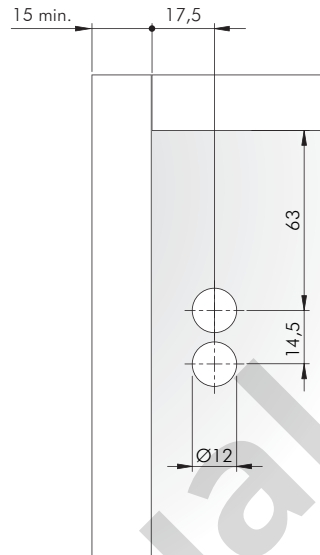


BACK PANEL

APC cover cap  $\text{Ø}20$

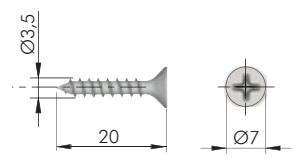


APC cover cap double hole  $\text{Ø}12$



	= PZ2		= 100 pcs.
65210010ZN			

APC 1 FIXING ACCESSORY



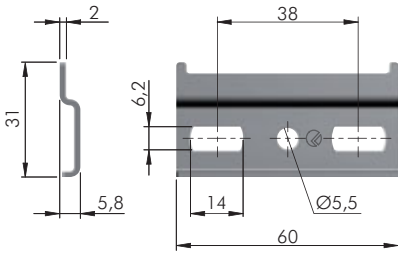
			= PZ2		
			= 5000 pcs.		
60101410ZN					



WPC2 WALL PLATE



Certificates available on request.

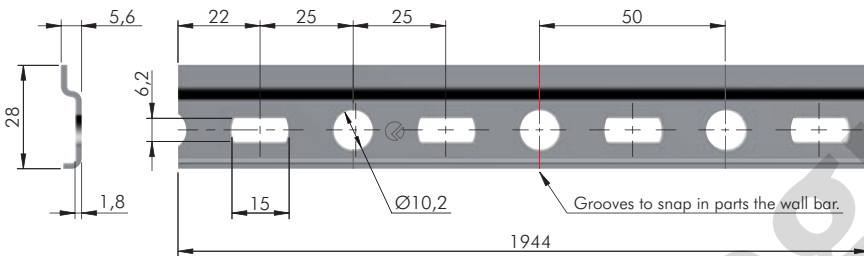


ST	= 100 pcs.
123	
65230010ZN	

WPC1 WALL BAR



Certificates available on request.



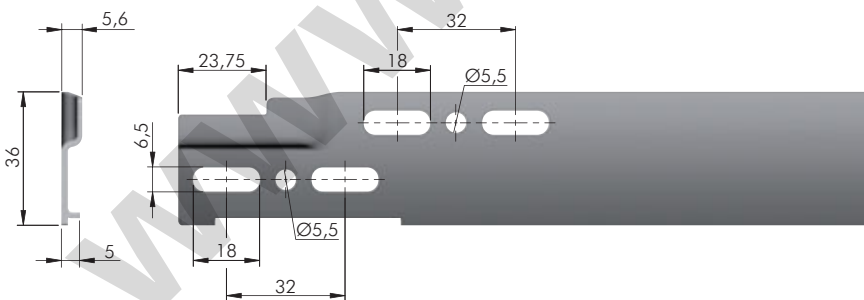
ST	= 20 pcs.
123	
65240010ZN	



WPC3 WALL BAR



Certificates available on request.



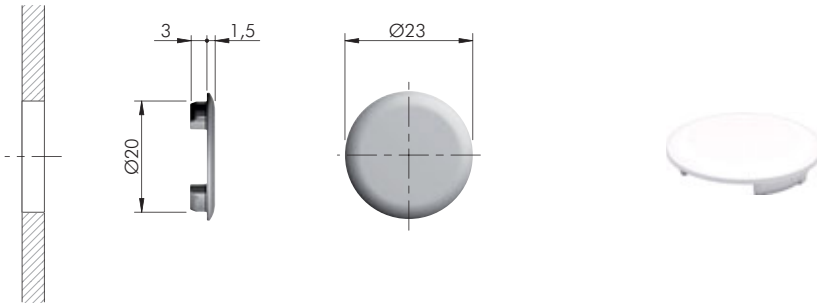
ST	= 20 pcs.
123	
6525 XXXX ZN	




**6525 XXXX ZN**



L = Length of the bar in mm



### APC COVER CAP Ø20



 = Ø 20 mm  

  = 5000 pcs.

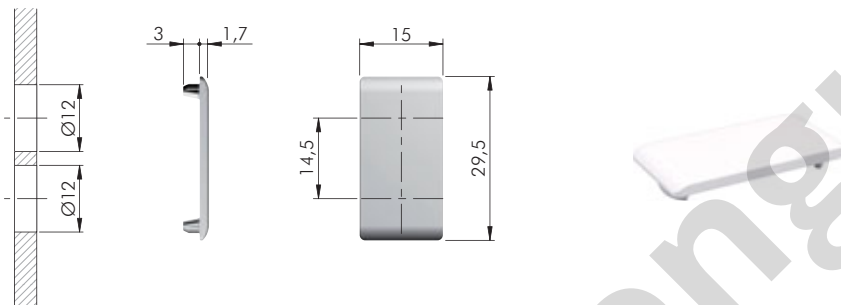





65270100AB



65270100EE

65270100IJ

### APC COVER CAP DOUBLE HOLE Ø12



 = Ø 12 mm  

  = 5000 pcs.



65270200AB

65270200EE

65270200IJ

www.mengshu.com