

 **ITALIANA**<sup>®</sup>  
f e r r a m e n t a



 **MENGUAL**<sup>®</sup>

**Elefant**

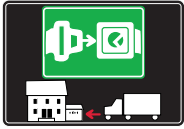


**CONNECTINGS**



# SYMBOLS AND FINISHES LEGEND

## SYMBOLS



= SHELF SAFELY LOCKED DURING TRANSPORTATION AND AT HOME.



= ANTI-TURNOVER LOCKING SYSTEM



= NORMS / PATENTS



= PHILLIPS / POZIDRIV



= WITH BUFFER



= PART NO.



= BLADE SLOT



= WITH MAGNET



= PCS. PER PACKAGE



= COMBI SLOT



= HEXAGONAL SOCKET



= NEWTON



= CAPACITY LOADING



= HEXALOBULAR SOCKET



= FRICTION



= WOOD / GLASS THICKNESS



= COUNTERSUNK HEAD



= AUTOMATIC



= HOLE DIAMETER



= PAN HEAD



= DROP DOWN



= DIAMETER



= FLANGE HEAD



= LENGTH



= FLAT HEAD



= STANDARD HINGE



= HEIGHT



= TRILOBULAR SCREW



= KIMANA HINGE



= RIGHT VERSION



= SELF-TAPPING SCREW



= FLAP HINGE



= LEFT VERSION



= EURO THREAD



= WITH SPRING



= SETTING CODE



= METRIC THREAD



= WITHOUT SPRING



= PCS. PER PAD



= PRE-INSERTED SCREW



= REVERSED SPRING



= CUT ON REQUEST



= PRE-INSERTED SCREW AND SPREADING BUSH



= SELF ADHESIVE



= WITH FLANGE

NOTE: Printing errors and omissions may exist despite our best efforts to ensure accuracy. We reserve the right to alter specifications without notice.

## MATERIALS

**ZA** = Zinc Alloy

**ST** = Steel

**HSS** = High Speed Steel

**BR** = Brass

**ABS** = Acrylonitrile Butadiene Styrene

**ZAnk** = Nickel-plated Zinc Alloy

**STzk** = Zinc-plated Steel

**AL** = Aluminium

**WD** = Wood

**EVA** = Ethylene Vinyl Acetate

**EP** = **ENGINEERING PLASTIC**

+ **EP** = other engineering plastic available on request

**SR** = **SOFT RUBBER**

+ **SR** = other soft rubber available on request

**EPn** = Natural Engineering Plastic

**EPc** = Clear Engineering Plastic

**SRn** = Natural Soft Rubber

**EPw** = White Engineering Plastic

**EPg** = Grey Engineering Plastic

**SRw** = White Soft Rubber

**EPwg** = Water Green Engineering Plastic

**SRb** = Black Soft Rubber



## FINISHES



+ **OTHER FINISHES AVAILABLE ON REQUEST**

PART NO.	FINISHES	PART NO.	FINISHES	PART NO.	FINISHES
00	Insignificant finish	IF	Middle Grey	UT	T-Met 9007
AA	Natural	IJ	Light Grey	UZ	T-Met
AB	White	IL	Grey 20	WA	Bronzed
AE	White 9010	IN	Grey met. 26	WI	Burnished
EA	Black	JB	Bright Aluminium	XD	Satin-finished Steel
EC	Matt Black	JC	Aluminium - Chrome	YA	Nickel-plated
EE	Anthracite	JD	Matt Aluminium	YB	Bright Nickel-plated
EW	Grey 9007	JE	Satin-finished Aluminium	YC	Matt Nickel-plated
FU	Gunmetal	JF	Aluminium - Brass	YD	Satin-finished Nickel-plated
FV	Gunmetal V52	JG	Aluminium 5	YQ	Black Nickel
GR	Raw	JL	Aluminium PE 11	Z9	Black Zinc
HA	Brass-Plated	JM	Aluminium RAL 9006	ZA	Zinc alloy
HH	Tropicalized	KA	Chrome	ZN	Zinc-plated
HL	Raw Brass	KB	Bright Chrome	ZQ	Bright Gold
HX	Graphite	KC	Matt Chrome	ZY	Titanium
IA	Grey	NN	Metallic Beige	ZZ	Clear
IB	Metallic Grey	RO	Red		

## ELEFANT

ELEFANT is a connecting fitting characterized by a very strong fastening capacity and a very simple assembling phase which makes it suitable for heavy duty wardrobes, bookcases, modular furniture, office furniture and DIY.

ELEFANT consists of a single element which can be inserted into the furniture either through automatic machinery or very easily with manual operations by the end user customer.

ELEFANT replaces the traditional connecting systems such as cams and dowels or cross dowels which turn out to be less practical because of the quantity of pieces to be managed and required operations on the panels.

Also, the traditional connecting fittings turn out to be less efficient considering the total assembling time.

Thanks to ELEFANT, the connection is carried out through a worm gear, which can be operated from inside the furniture by a PZ2 screwdriver or by a cordless driver-drill.

The 12° inclined cross socket makes the cabinet construction easier.

The inner gear comes with an M6 threaded pin to be screwed onto a pre-inserted bush on the side of the furniture.

Available in 3 models for 19, 25 and 30 mm thick panels.

The constituent materials are zinc alloy nickel plated for the outer part, steel for the gears.

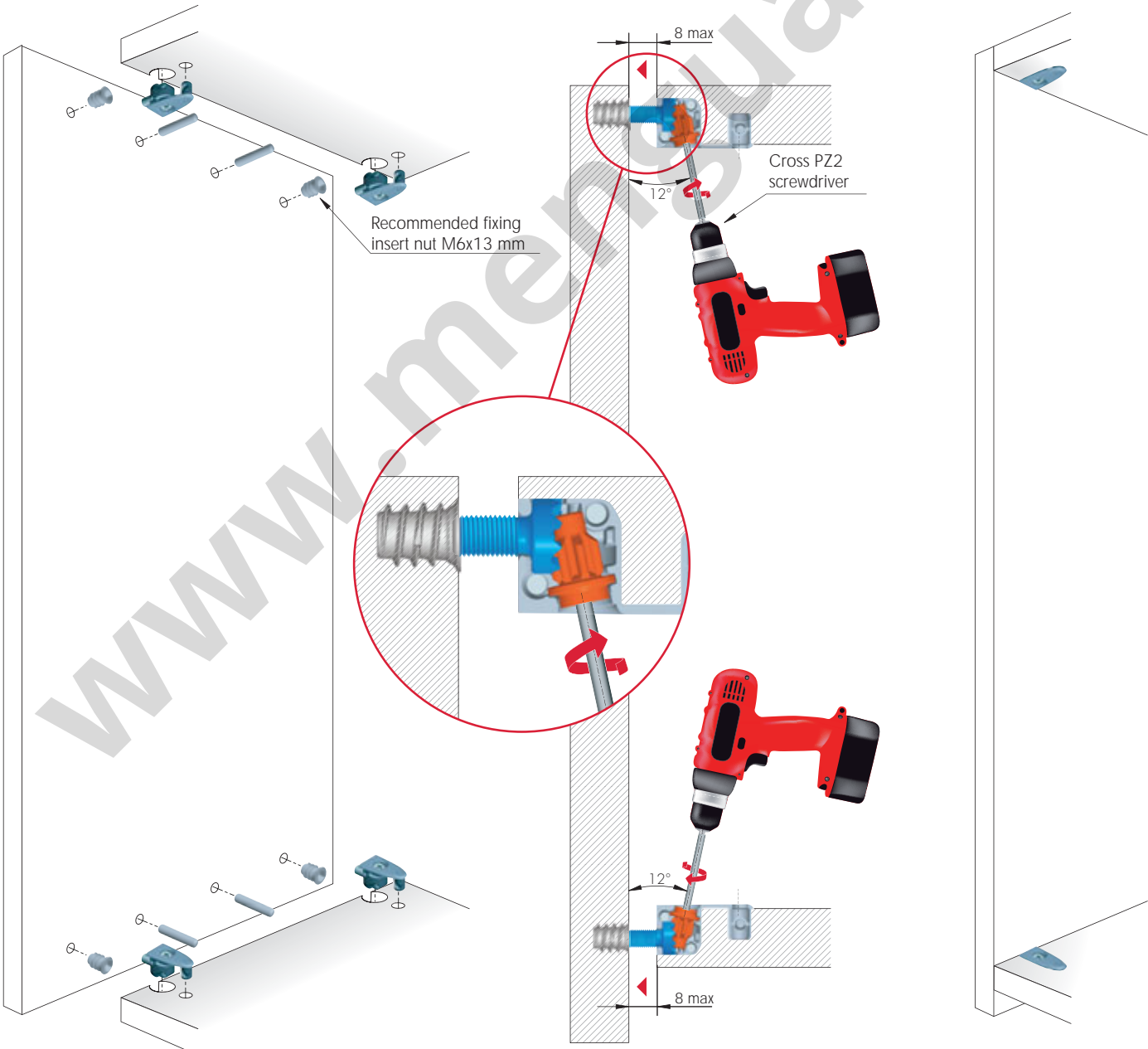


interzum award:  
intelligent  
material & design  
2009

18 mm min.

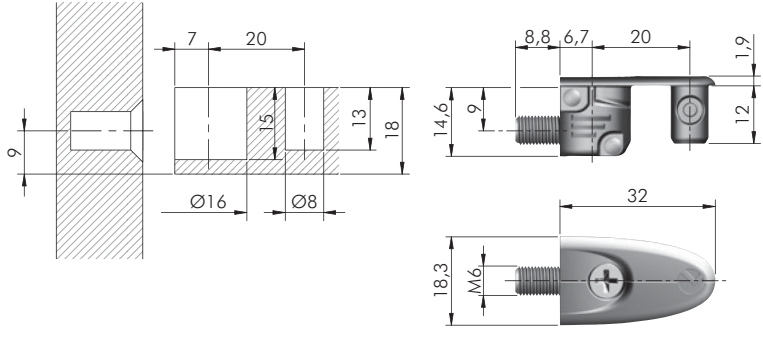


## INSTALLATION AND ASSEMBLING

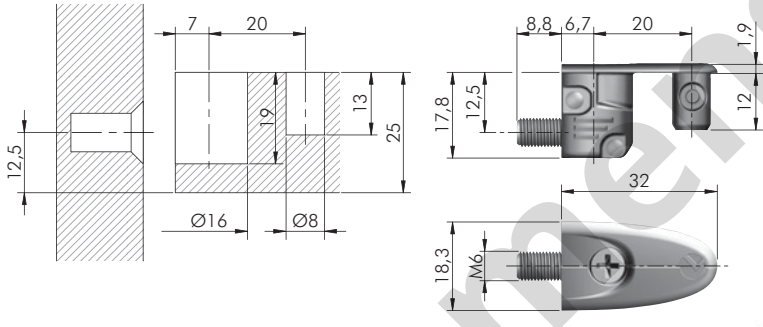




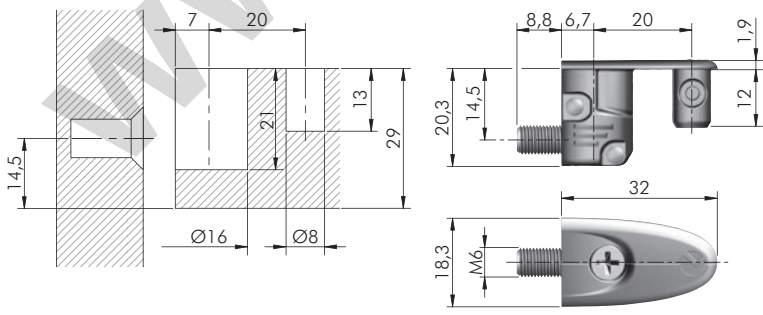
**ELEFANT: APPLICATION FOR SIDE PANEL**



= 18 mm	= PZ2	= M6
ZA	ST	= 500 pcs.
<b>11901010YA</b>		

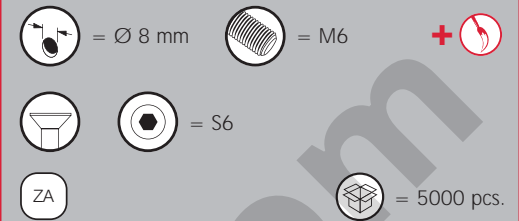
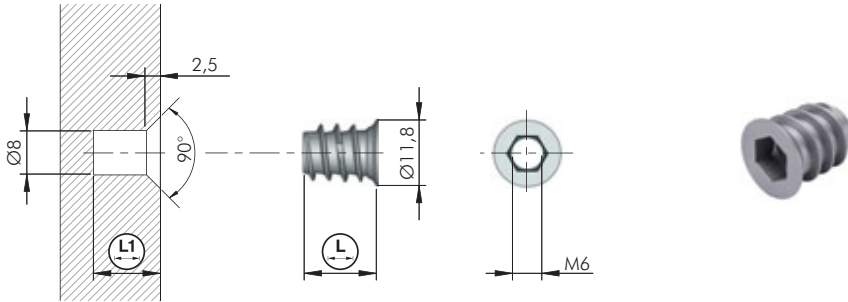


= 25 mm	= PZ2	= M6
ZA	ST	= 500 pcs.
<b>11902010YA</b>		

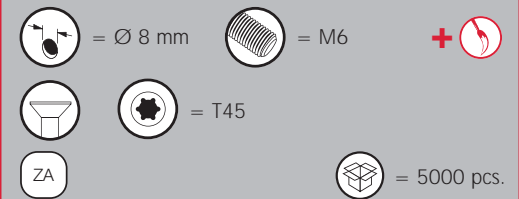
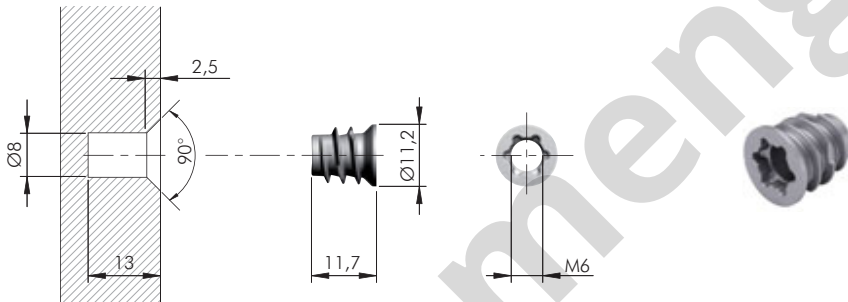


= 29 mm	= PZ2	= M6
ZA	ST	= 500 pcs.
<b>11903010YA</b>		

## ELEFANT FIXING ACCESSORIES

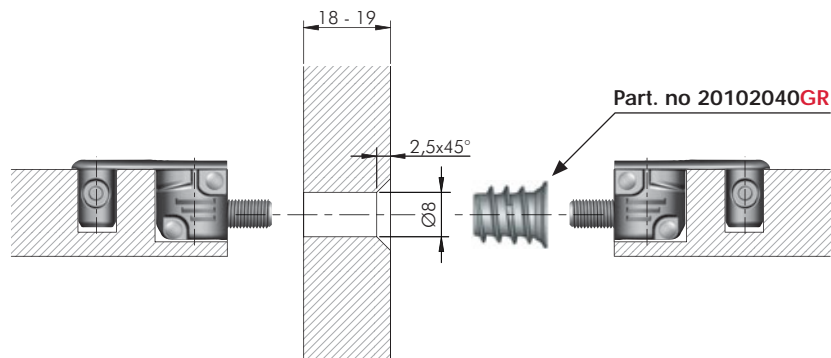


Barcode	L	L1
20102010GR	10	12
20102020GR	13	15
20102040GR	17	19



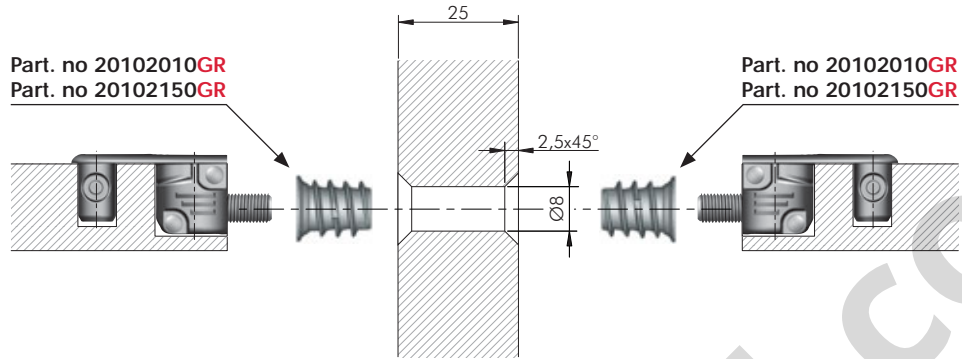
Barcode
20102150GR

## ELEFANT: APPLICATION FOR PARTITION 18 - 19 mm THICK

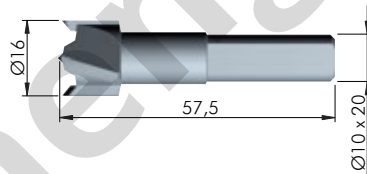
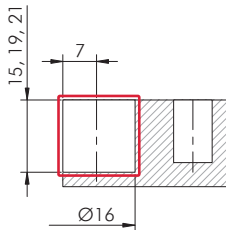




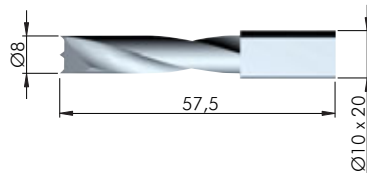
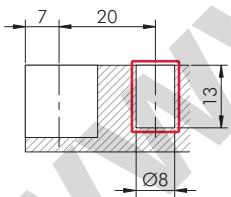
**ELEFANT: APPLICATION FOR PARTITION 25 mm THICK**



**DRILL BITS FOR ELEFANT**



HSS	= on request
123	
<b>1195010000</b>	



HSS	= on request
123	
<b>1145202000</b>	