

 **MENGUAL**[®]

 **ITALIANA**[®]
f e r r a m e n t a

Libra H11

HANGERS



LIBRA H11



PATENTED





LIBRA H11

Suitable for suspended base units for all types of furniture.
 Quick and easy installation through 4 holes to be pre-drilled on the side panel. Structural top and backside panel are not required.
 Fixation on the side panel through M6 flat head screw or bespoke euro screw or, alternatively, simply slotting the hangers into the side holes with the version including pre-mounted bushes and screws.
 Thanks to the slim side plate, it allows to fully and efficiently use the inner space.
 Possibility to install it in pre-assembled cabinets.
 Easy and intuitive installation and removal of the base unit.
 The adjustment body is easily accessible as the screwdriver works parallel to the side panel.
 Patented anti-turnover device.
 The integrated use of LIBRA WP13 is highly recommended.

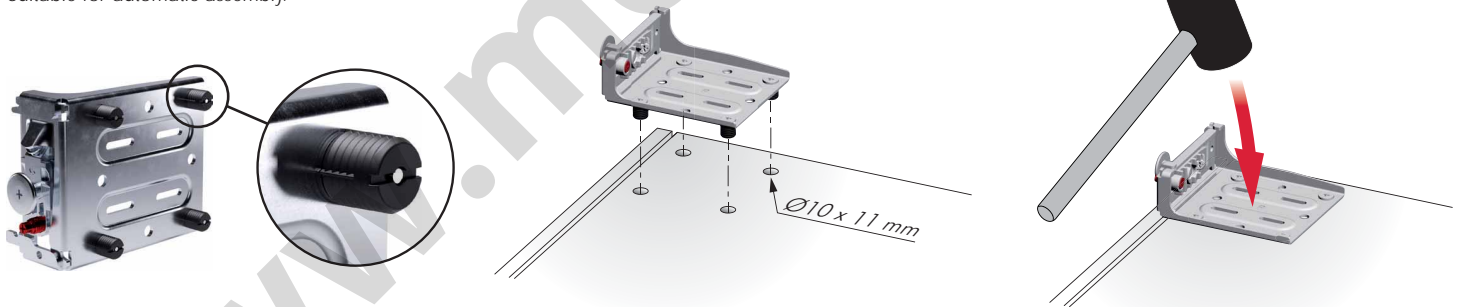


LIBRA H11 SCREW FIXING INSTALLATION



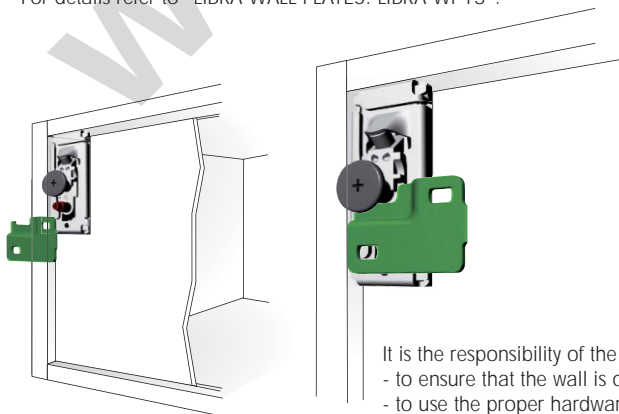
LIBRA H11 WITH PRE-MOUNTED BUSHES AND SCREWS INSTALLATION

Suitable for automatic assembly.



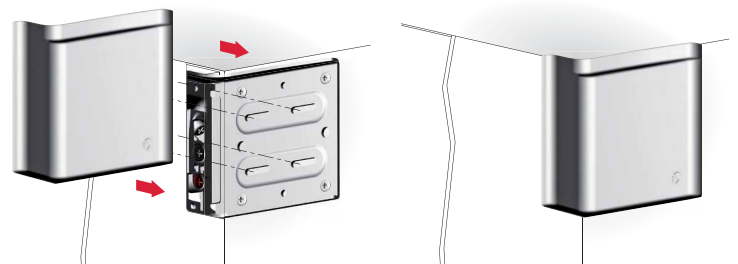
INSTALLATION ON THE WALL

- For details refer to "LIBRA WALL PLATES: LIBRA WP13".



OPTIONAL COVER CAP INSERTING

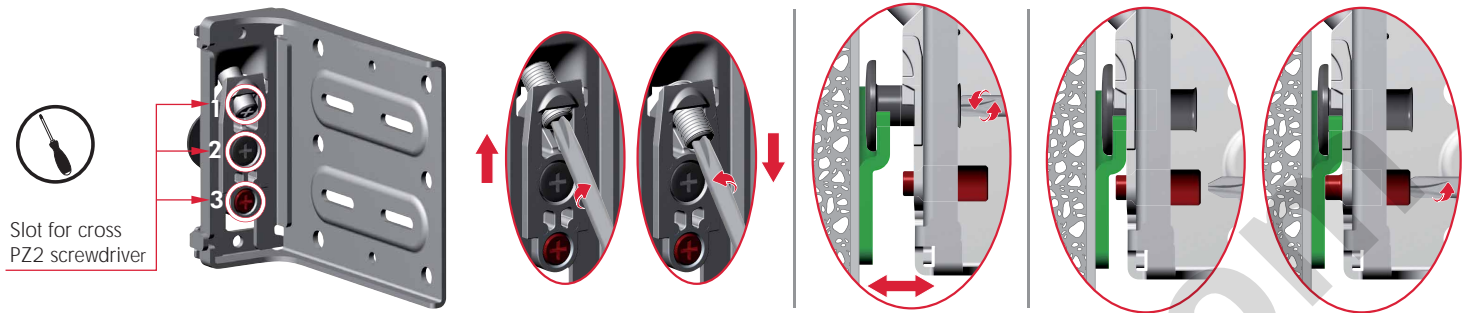
- For details refer to "LIBRA H11 ACCESSORIES".



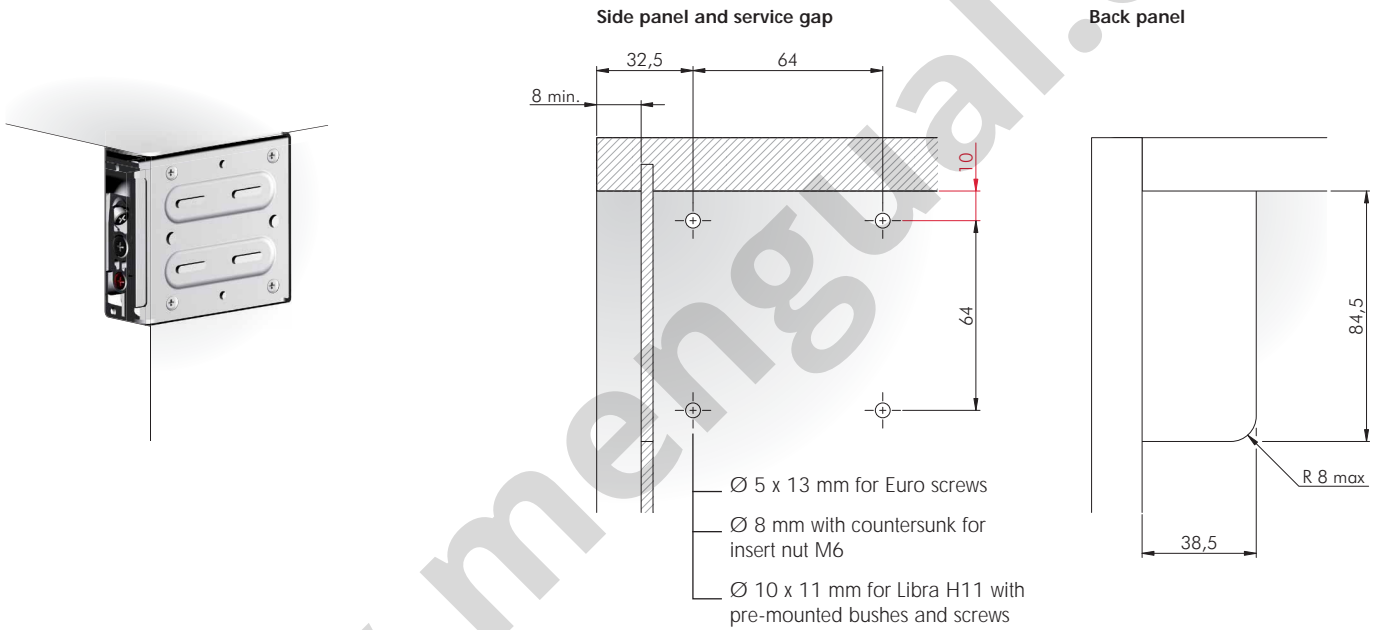
It is the responsibility of the customer:
 - to ensure that the wall is of a suitable quality to hold the unit fixing in place.
 - to use the proper hardware fittings according to the construction of the wall.

For more specific information, please refer to the WARNINGS section at the end of the catalogue.

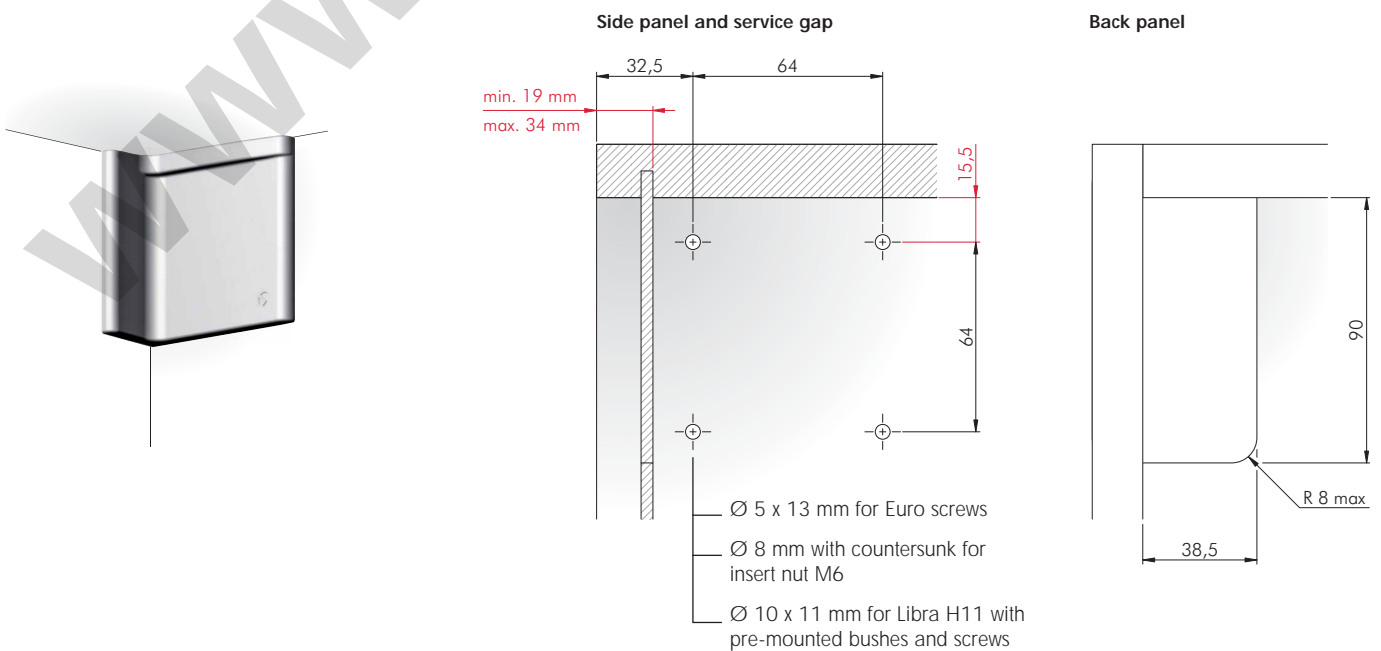
ADJUSTMENTS



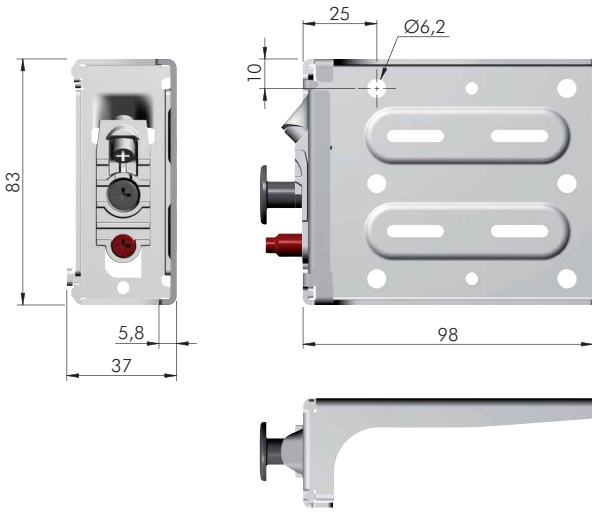
DRILLING PLAN WITHOUT COVER CAP



DRILLING PLAN WITH COVER CAP



LIBRA H11 SCREW FIXING

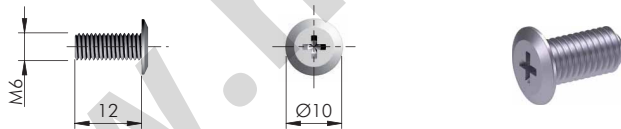


	= PZ2				= 50 pcs.
		63425020ZN	(R)		
		63425010ZN	(L)		

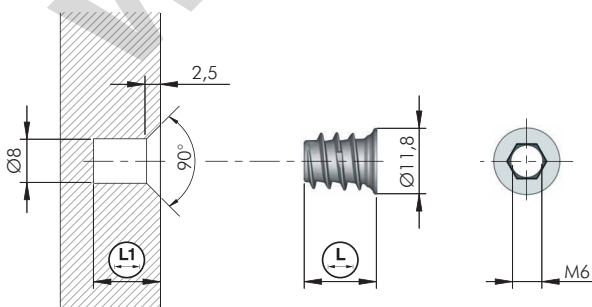
NOTE: for technical details about wall plates please refer to the related sections "LIBRA WALL PLATES" on page 12.65.



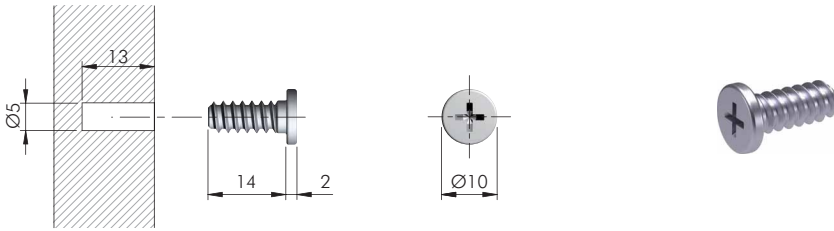
LIBRA H11 SCREW FIXING ACCESSORIES



	= M6		= PZ2		= 5000 pcs.
		20819020ZN			

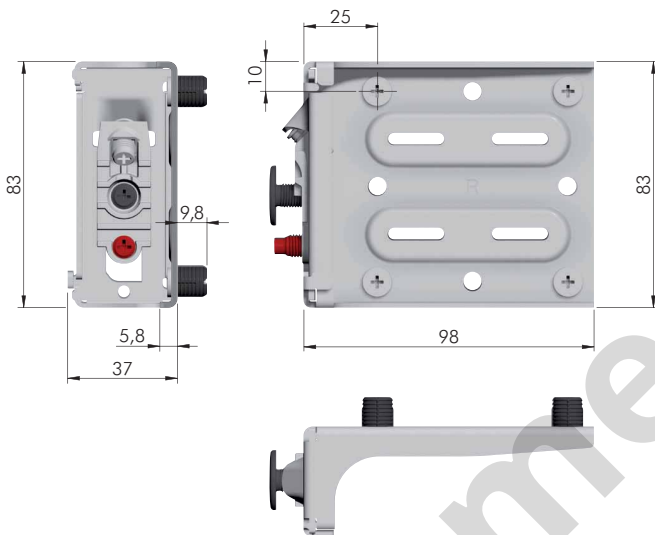


	= Ø 8 mm		= M6			= 5000 pcs.
			= S6			
		20102010GR	(L)	(L1)		
			10	12		
			20102020GR	13	15	



	= Ø 5 mm		
			= PZ2
ST		= 5000 pcs.	
60507030ZN			

LIBRA H11 WITH PRE-MOUNTED BUSHES AND SCREWS



	= PZ2		= 50 pcs.
ZA	ST	EP	
63425043ZN			
63425033ZN			

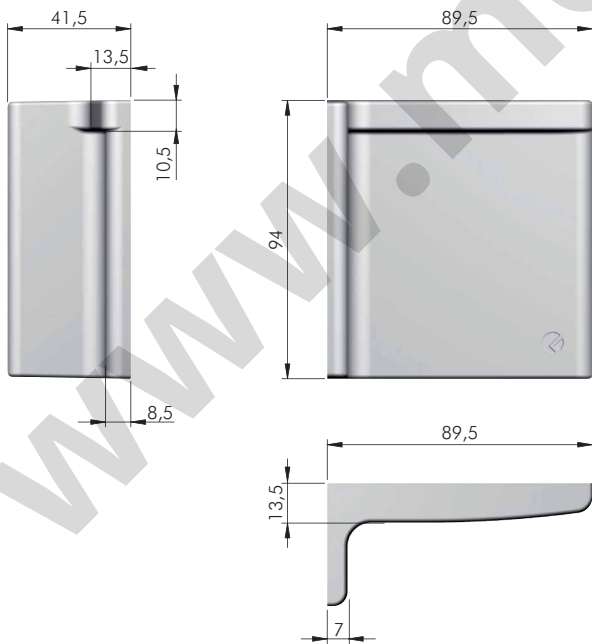
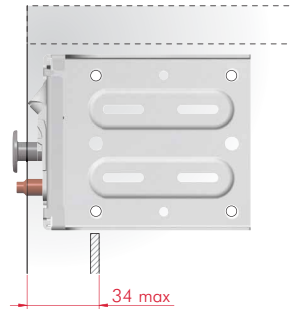
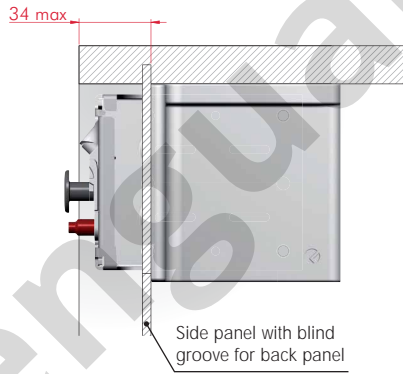
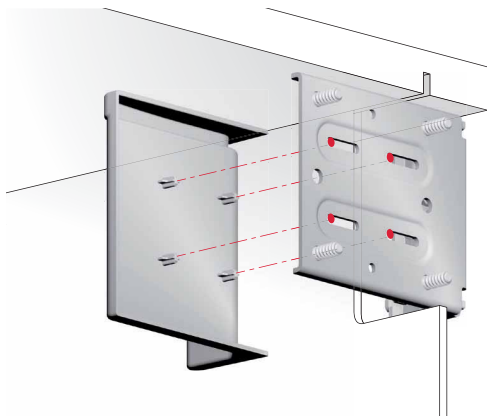
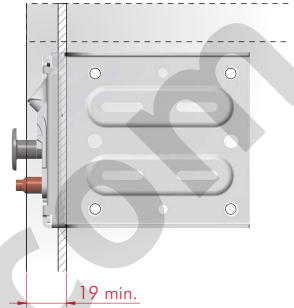
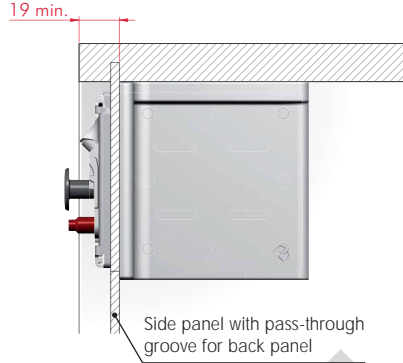
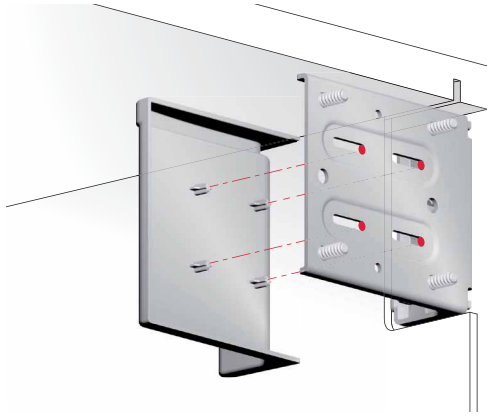
NOTE: for technical details about wall plates please refer to the related sections "LIBRA WALL PLATES".





LIBRA H11 COVER CAP

INSTALLATION



EP		= 200 pcs.	
63490720AB			
63490710AB			
63490720EE			
63490710EE			
63490720IJ			
63490710IJ			

