



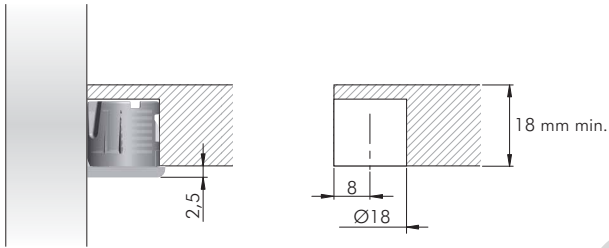
POKET PRO



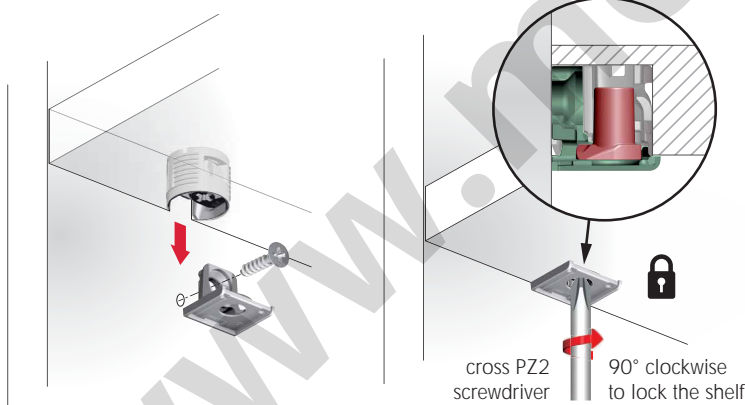
19 mm min.



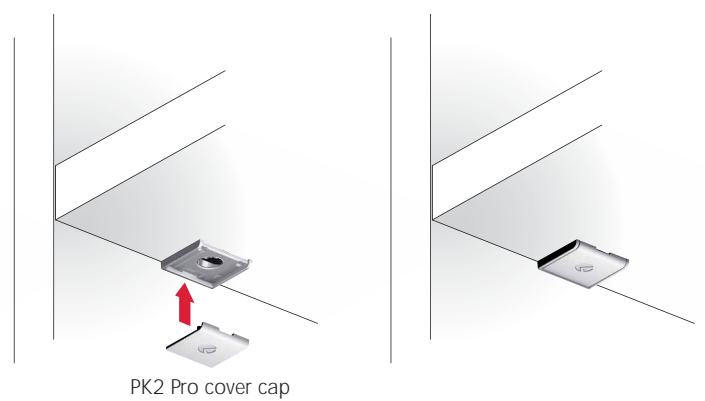
SPECIFICATIONS



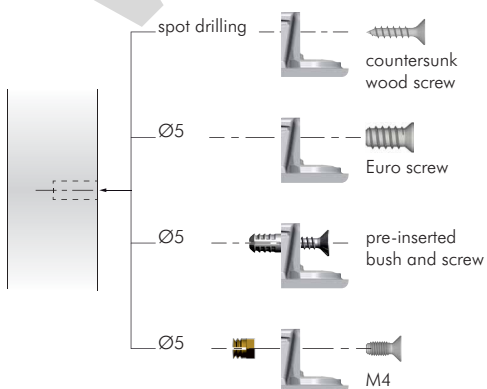
INSTALLATION AND ASSEMBLING



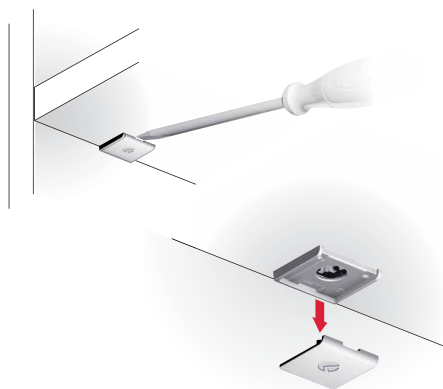
COVER CAP INSERTION



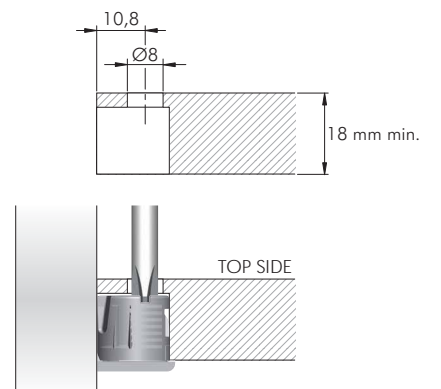
FIXING OPTIONS FOR SIDE PANEL BRACKET



COVER CAP REMOVAL

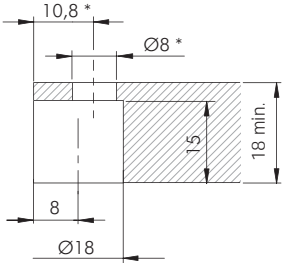


LOCKING FROM THE TOP SIDE (optional hole)

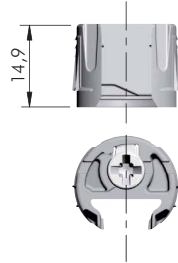




PK2 PRO  **18 - 19 mm**



* optional hole



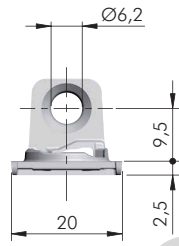
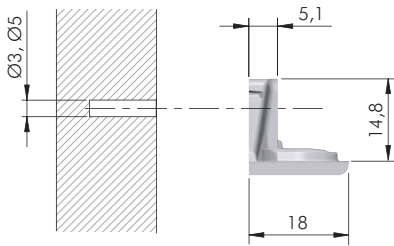
= PZ2



= 2500 pcs.



11411020IJ



= Ø 3, Ø 5 mm

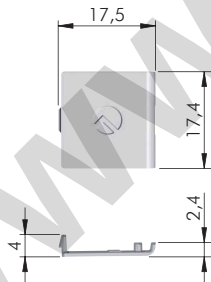


= 2500 pcs.



11413030YA

YQ



= 2500 pcs.



11448010EW

EE