

 **MENGUAL**<sup>®</sup>

 **ITALIANA**<sup>®</sup>  
*f e r r a m e n t a*

# Anti-tip brackets

HANGERS



## ANTI-TIP BRACKETS



SH1

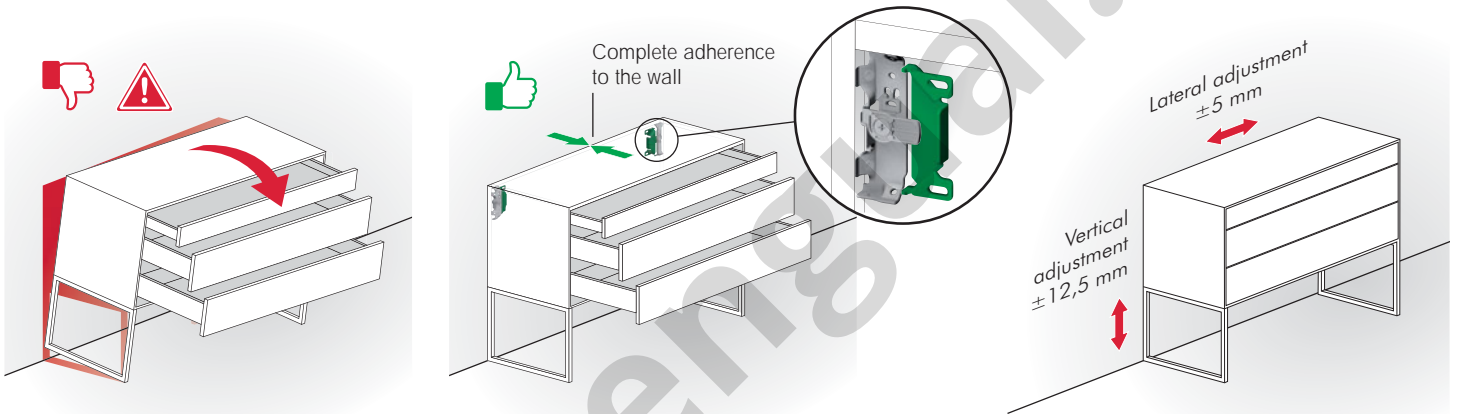
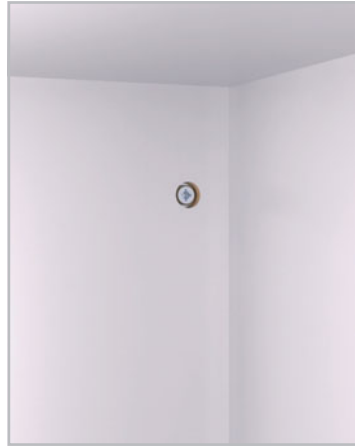


SH7



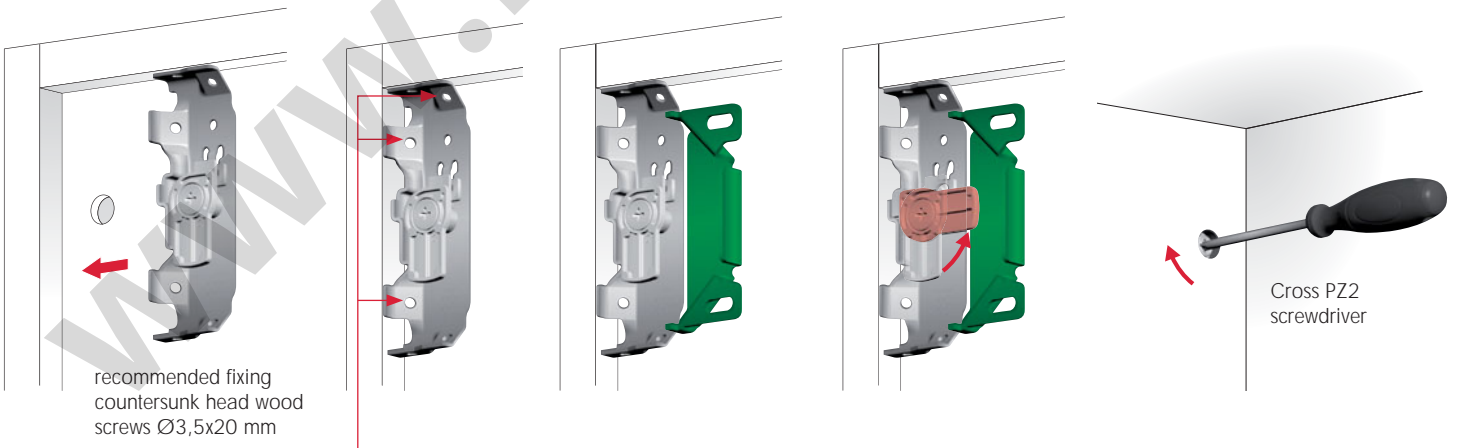


## SH1 ANTI-TIP BRACKET



### INSTALLATION UNDER THE CABINET TOP

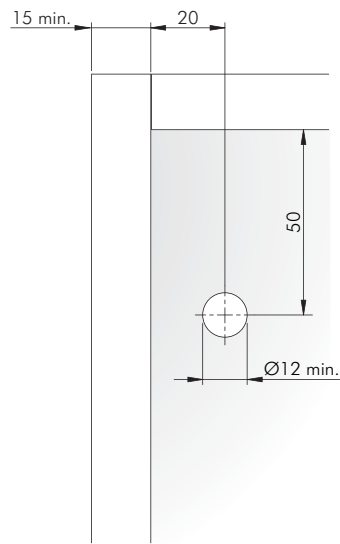
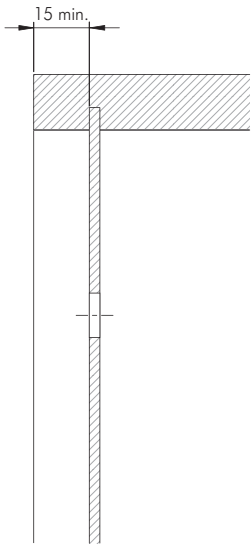
### INSTALLATION ON THE WALL LOCKING



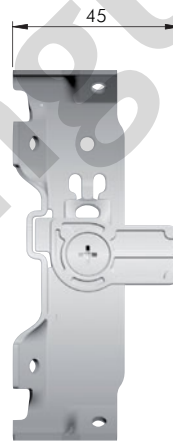
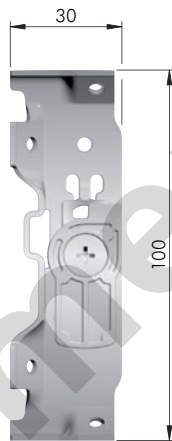
DRILLING PLAN FOR SH1 FIXED UNDER THE CABINET TOP

SIDE PANEL AND SERVICE GAP

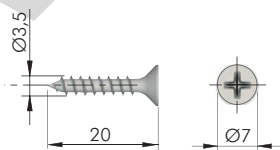
BACK PANEL



= PZ2  
 = 200 pcs.  
 123  
  
**63423000ZN**

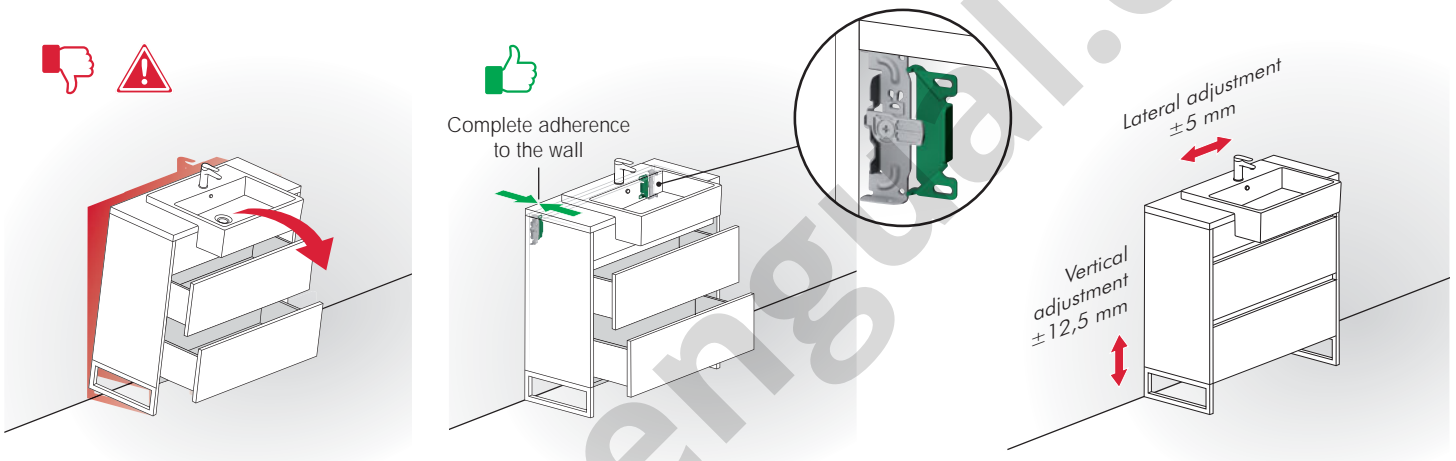


## SH1 FIXING ACCESSORY

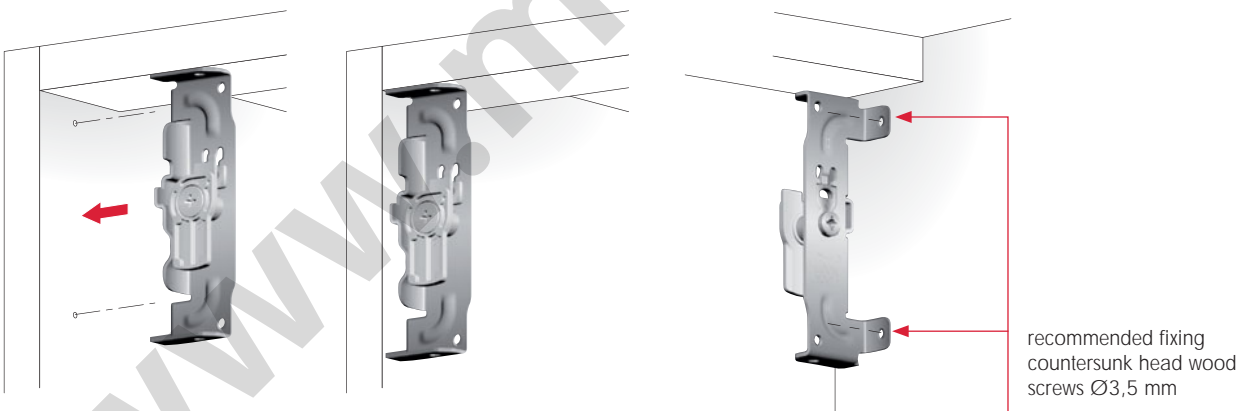


= PZ2 +   
 = 5000 pcs.  
 123  
  
**60101410ZN**

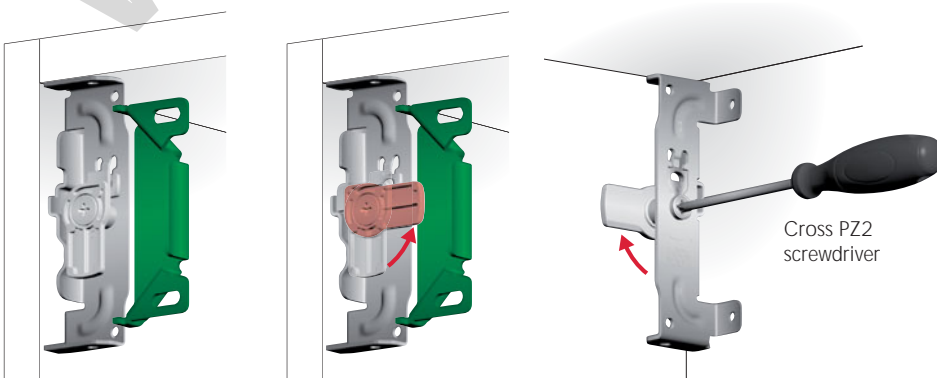
## SH7 ANTI-TIP BRACKET



### INSTALLATION UNDER THE CABINET TOP



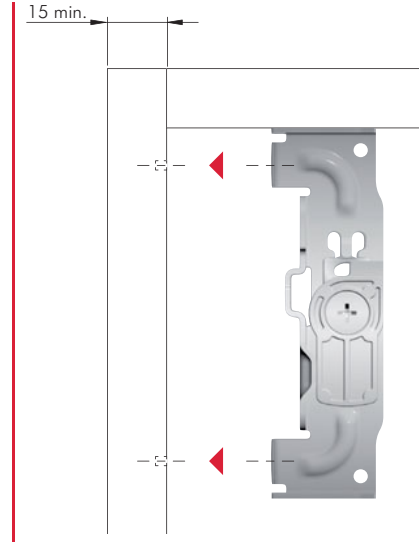
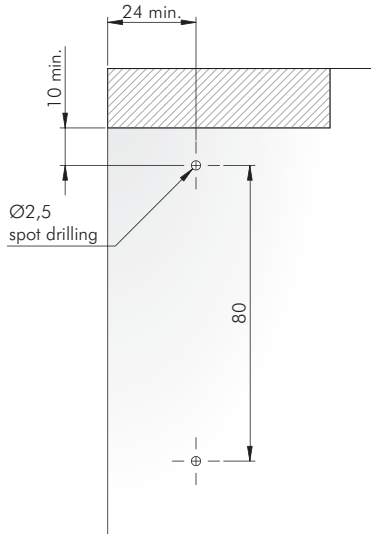
### INSTALLATION ON THE WALL LOCKING



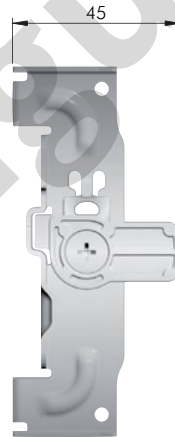
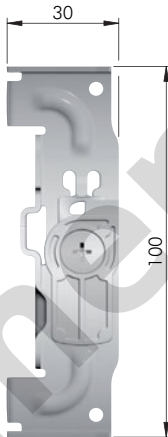
DRILLING PLAN FOR SH7

SIDE PANEL

BACK PANEL



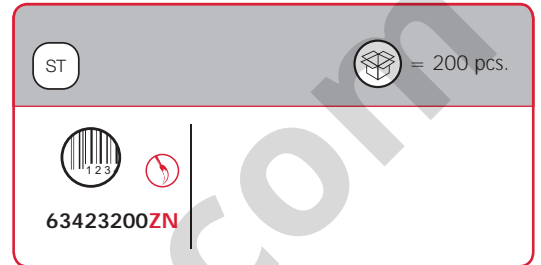
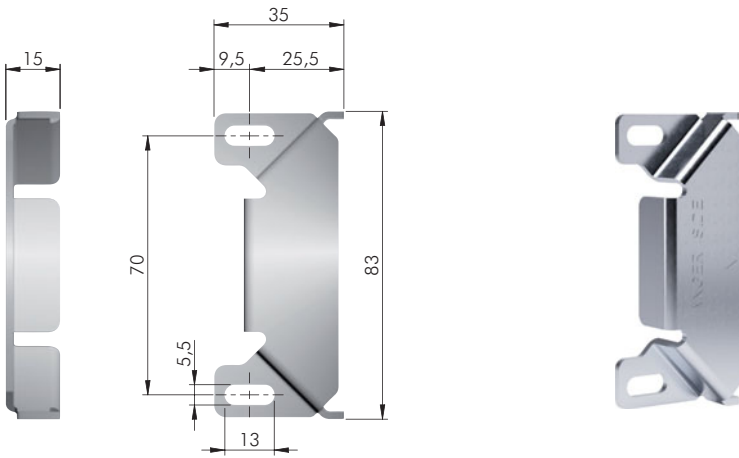
	= PZ2		= 200 pcs.
ZA	ST		
<b>63423010ZN</b>			



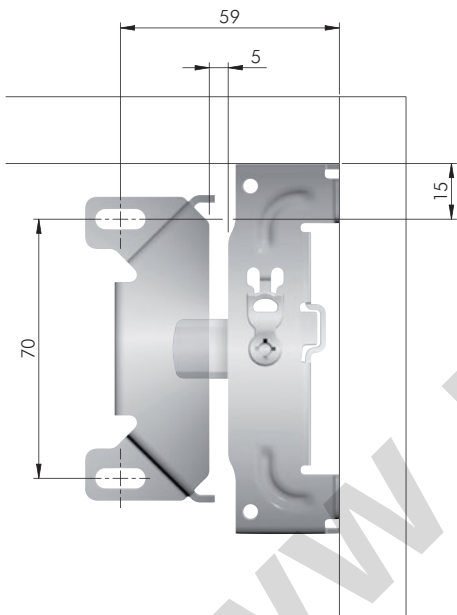
www.benitalia.com



## SH WALL PLATE



### WALL PLATE POSITION WITH SH1 AND SH7



www.mengual.com