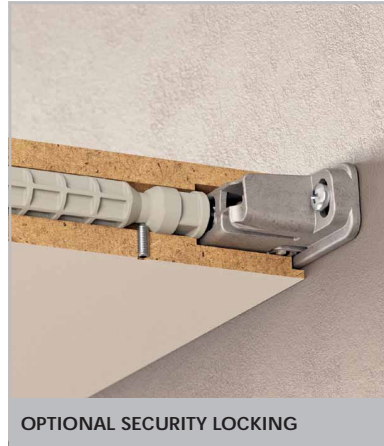
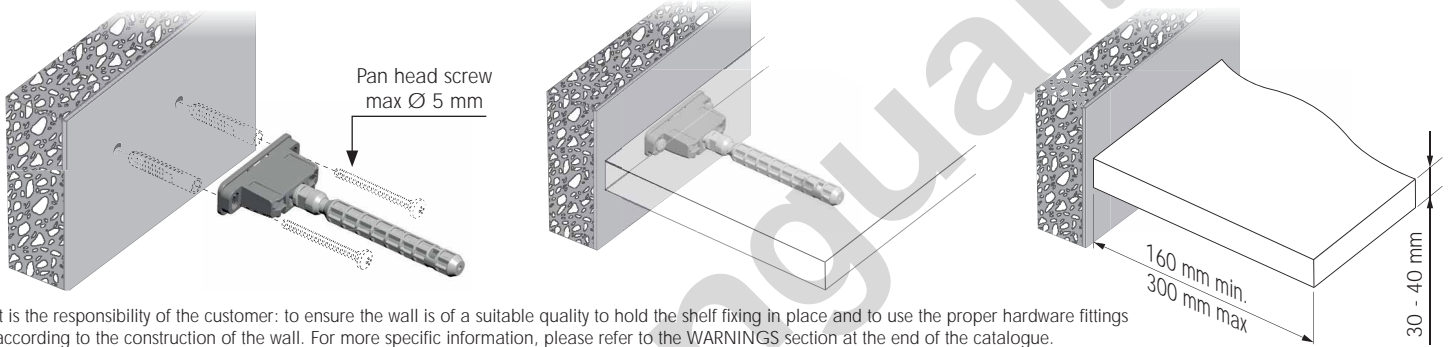


## TRIADE PRO

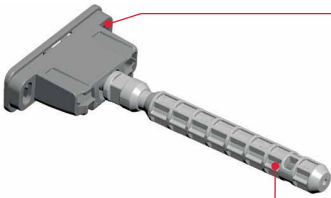


30-40 mm   
 30 kg per pair for shelf 300 mm deep 

### SPECIFICATION

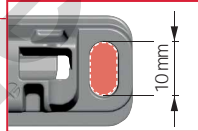


### ADJUSTMENT

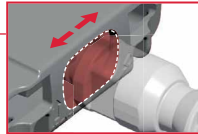


Screw to lock when adjustments are finished.

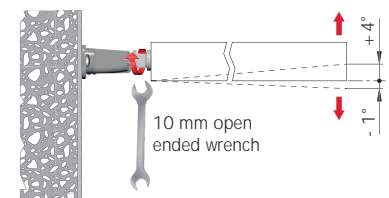
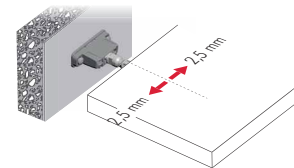
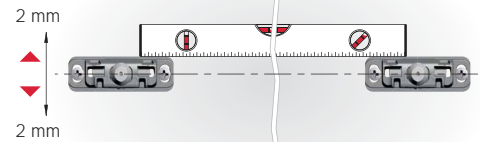
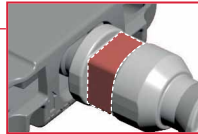
### BRACKET ALIGNMENT



### LATERAL ADJUSTMENT

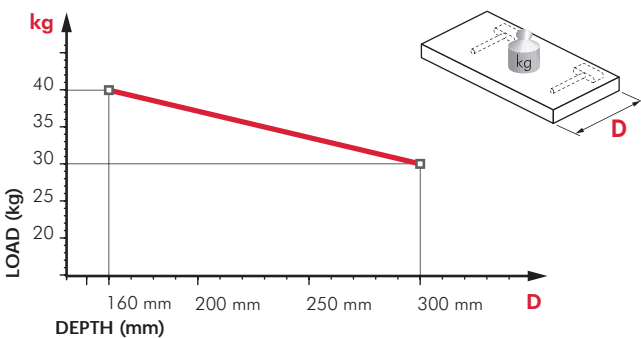


### INCLINATION ADJUSTMENT

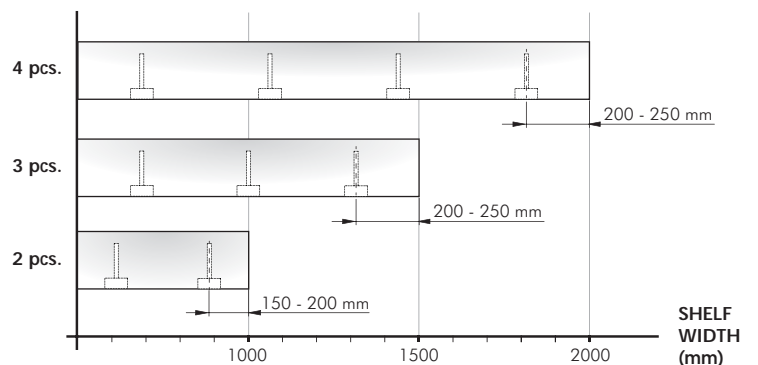


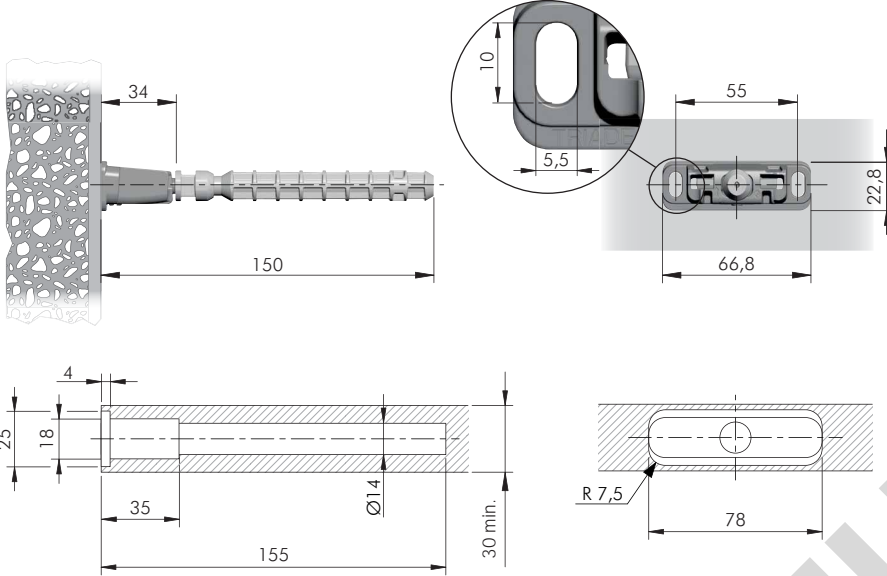
### CAPACITY LOADING CHART

(The figures refer to 2 shelf supports)



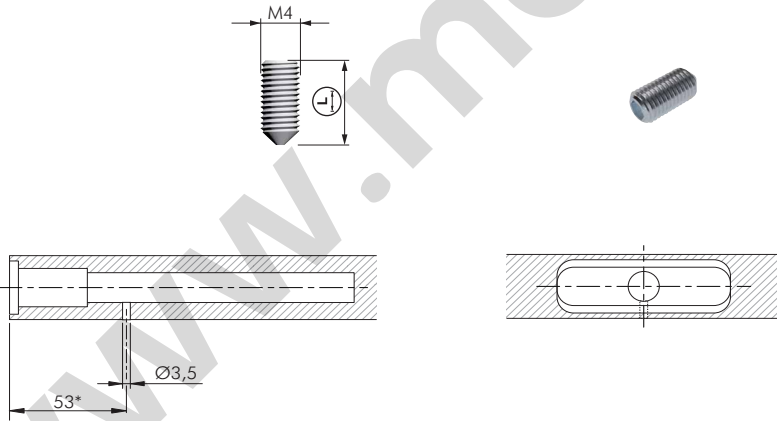
### RECOMMENDED NUMBER OF TRIADE PRO PER SHELF



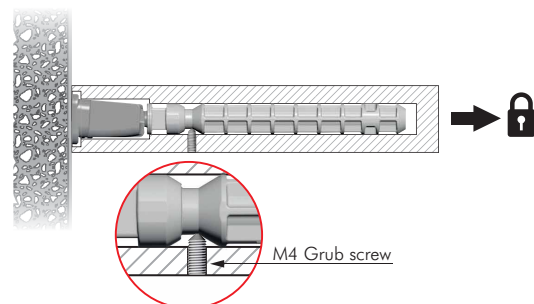
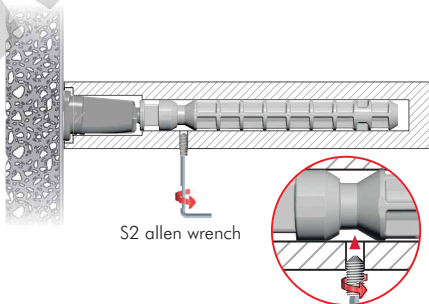


	= PZ2		= open ended wrench 10 mm
	ZA		ST
	EP		= 50 pcs.
	1623002000		

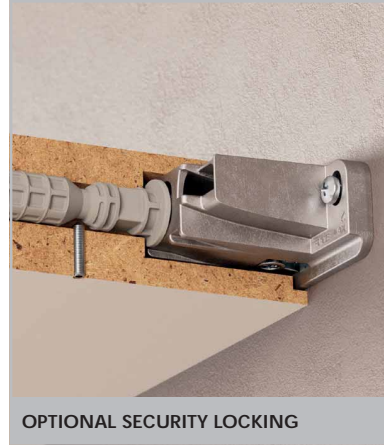
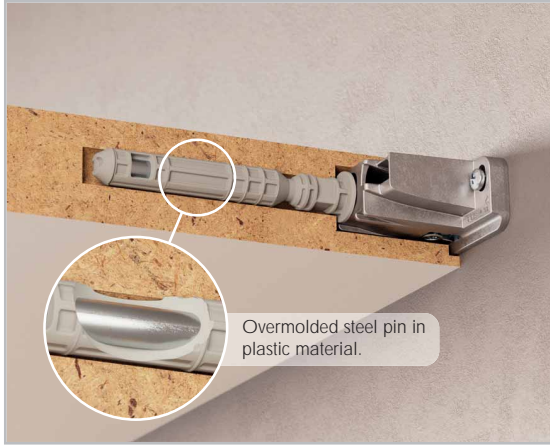
### OPTIONAL DRILLING FOR SECURITY LOCKING



	= S2		= 100 pcs.
	ST		L
	21105180ZN		10
	21105220ZN		16
			Z
			30
			40



## TRIADE PRO MAXI



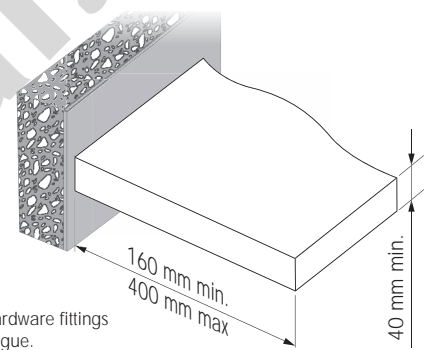
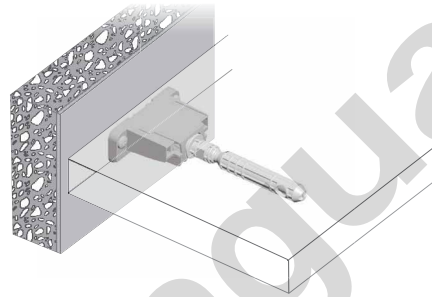
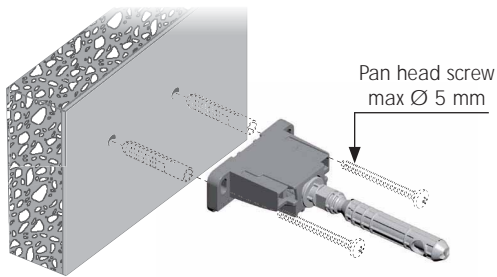
40 mm min.



40 kg per pair for shelf 400 mm deep

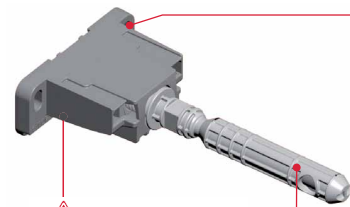


### SPECIFICATION



It is the responsibility of the customer: to ensure the wall is of a suitable quality to hold the shelf fixing in place and to use the proper hardware fittings according to the construction of the wall. For more specific information, please refer to the WARNINGS section at the end of the catalogue.

### ADJUSTMENT

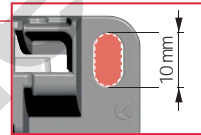


**VERY IMPORTANT**

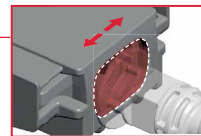


Screw to lock when adjustments are finished.

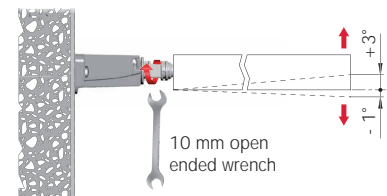
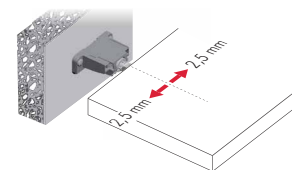
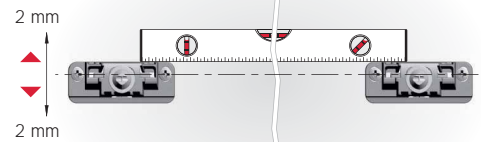
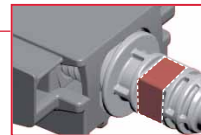
### BRACKET ALIGNMENT



### LATERAL ADJUSTMENT

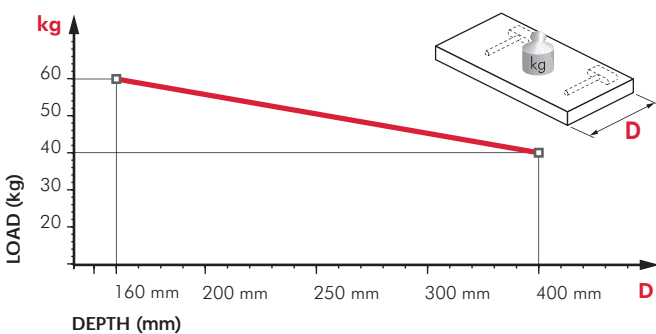


### INCLINATION ADJUSTMENT

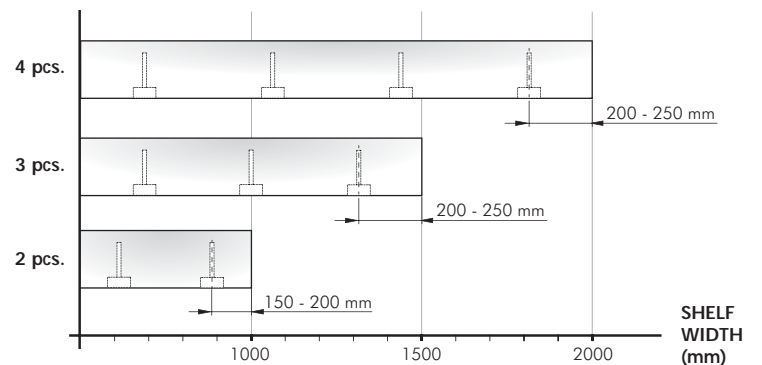


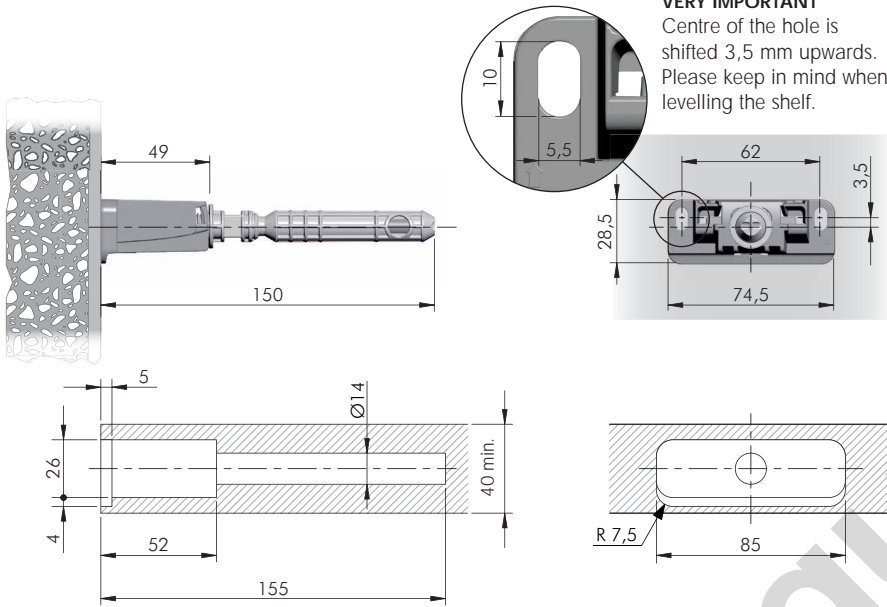
### CAPACITY LOADING CHART

(The figures refer to 2 shelf supports)



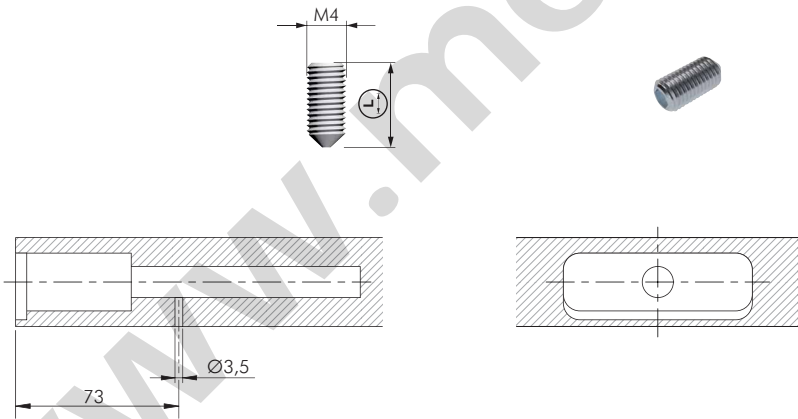
### RECOMMENDED NUMBER OF TRIADE PRO MAXI PER SHELF



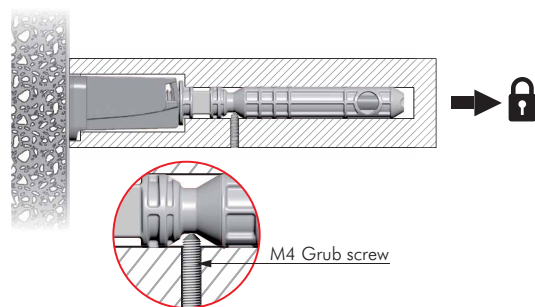
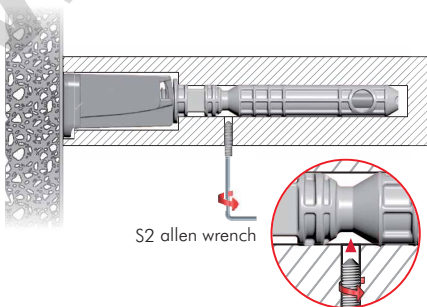


	= PZ2		= open ended wrench 12 mm
			= 50 pcs.
	1623003000		

### OPTIONAL DRILLING FOR SECURITY LOCKING

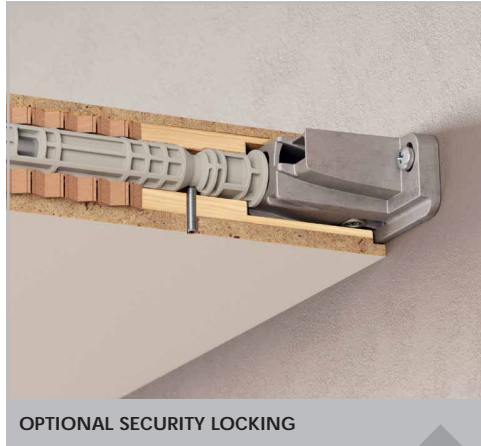
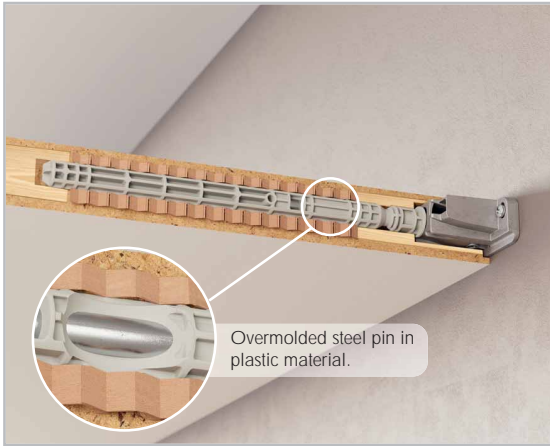


	= S2		= 100 pcs.
<b>21105220Zn</b>	16	40	
<b>21105060Zn</b>	20	50	





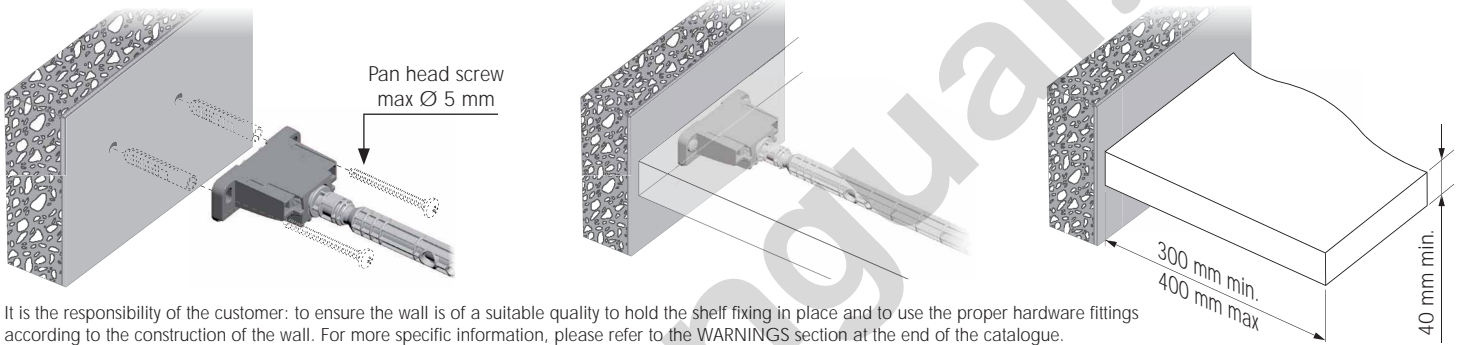
## TRIADE PRO XXL



40 mm min.

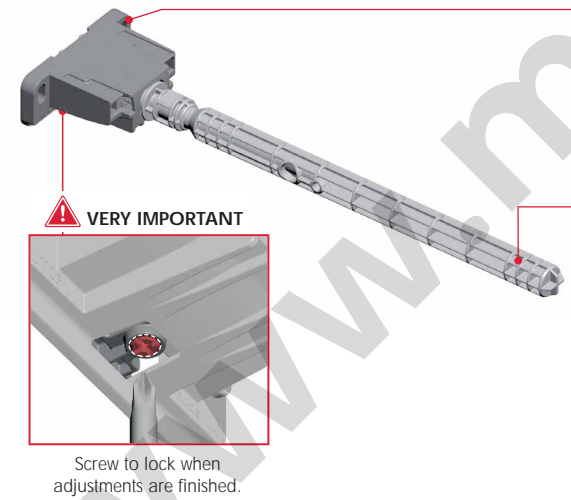
40 kg per pair for shelf 400 mm deep

### SPECIFICATION

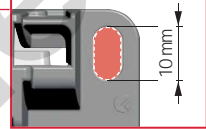


It is the responsibility of the customer: to ensure the wall is of a suitable quality to hold the shelf fixing in place and to use the proper hardware fittings according to the construction of the wall. For more specific information, please refer to the WARNINGS section at the end of the catalogue.

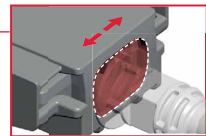
### ADJUSTMENT



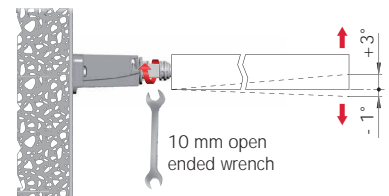
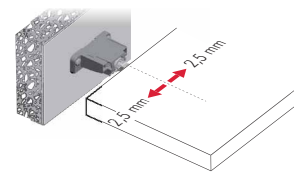
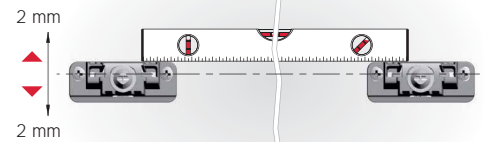
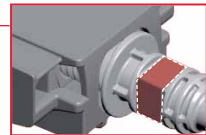
### BRACKET ALIGNMENT



### LATERAL ADJUSTMENT

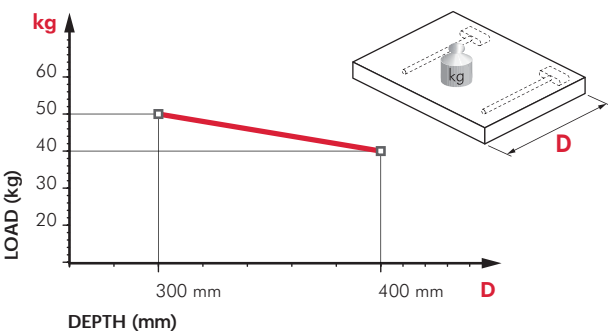


### INCLINATION ADJUSTMENT

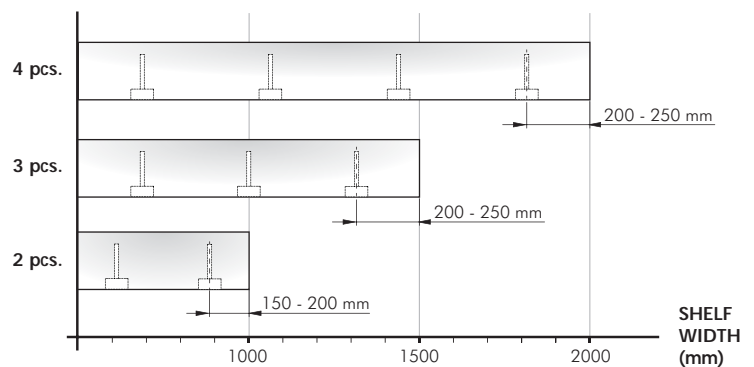


### CAPACITY LOADING CHART

(The figures refer to 2 shelf supports)

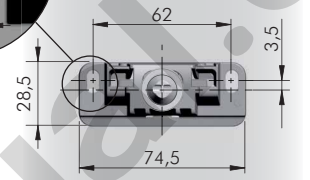
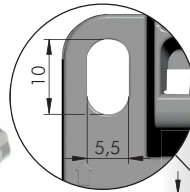
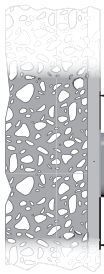


### RECOMMENDED NUMBER OF TRIADE PRO XXL PER SHELF

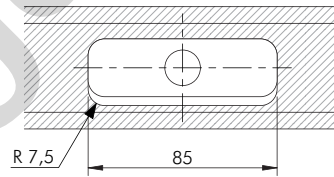
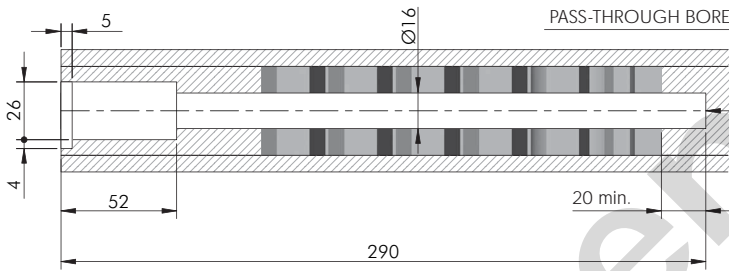




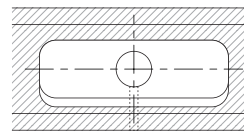
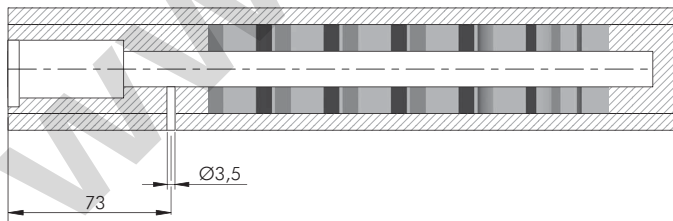
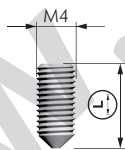
	= PZ2		= open ended wrench 12 mm
			= 25 pcs.
		<b>1623004000</b>	



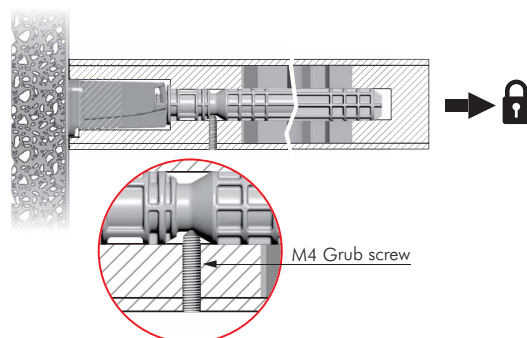
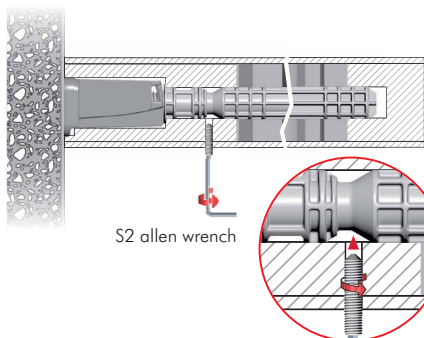
**VERY IMPORTANT**  
Centre of the hole is shifted 3,5 mm upwards. Please keep in mind when levelling the shelf.



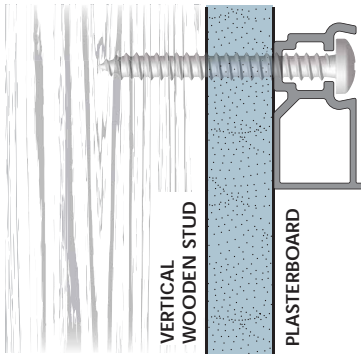
## OPTIONAL DRILLING FOR SECURITY LOCKING






	= S2		= 100 pcs.
<b>21105190ZN</b>		14	40
<b>21105060ZN</b>		20	50



## TRIADE PRO MAXI AND TRIADE PRO XXL ALUMINIUM PROFILE

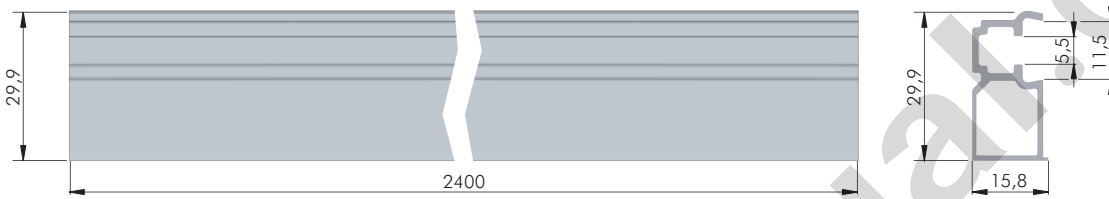


AL  = 12 pcs.

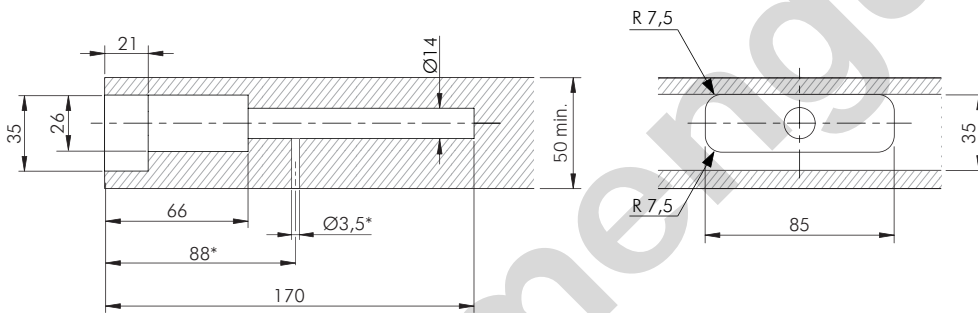
 123 

**691240000**

Further profile lengths available on request.

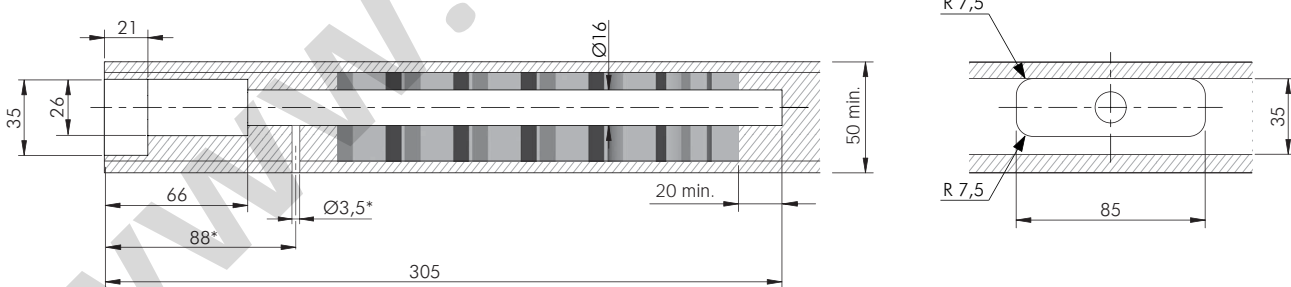


### DRILLING PLAN FOR THE APPLICATION WITH TRIADE PRO MAXI



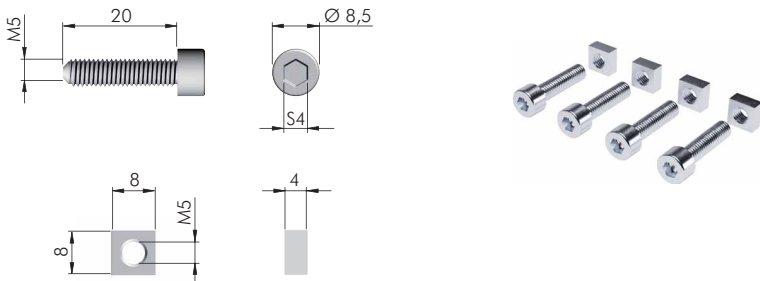
\* Optional drilling for security locking with M4 grub screw placed underneath in alignment with the cavity. For details refer to Triade Pro Maxi section.


### DRILLING PLAN FOR THE APPLICATION WITH TRIADE PRO XXL




\* Optional drilling for security locking with M4 grub screw placed underneath in alignment with the cavity. For details refer to Triade Pro XXL section.

## ACCESSORY TO FIX ALL TRIADE PRO VERSIONS TO ALU PROFILES



ST  = on request

 123

**C010001328**

NOTE: Set of 4 x Square nuts and 4 x Socket-head cap screws.