

**LAMP PANEL HANGER AUH NEW**

Latest Info



F  
HOOKS



- Panel can be easily attached/detached without tools.
- Distance to wall is only 5 mm.
- Continuous panels can also be installed easily.
- Can prevent warping of large size panels.
- Mounting holes can be set in the groove of screw guide (see drawing).

**Applications**

- Exhibition panels, paintings, furniture.

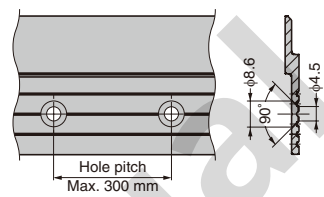
**Remarks**

- Be sure to install panel to wall made from strong materials.
- Actual load capacity varies depending on use conditions. The load capacity in the catalog is based on the conditions below.
  - Numbers of AUH: 2 pcs
  - Length : 700mm
  - Distance between 2 AUH : 780mm
  - Panel Height : 900mm
  - Panel Length : 700mm
  - Panel Thickness : 25mm

**Recommended Screws**

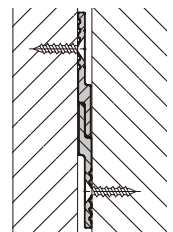
- Countersunk head tapping screw 4

**Cut Out Dimensions**

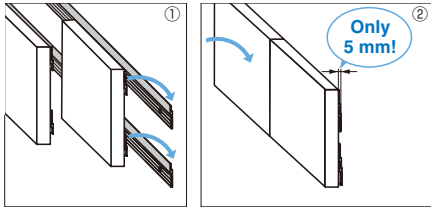


Mounting holes should be located symmetrically to the centre of mounting surface, with the pitch below 300mm.

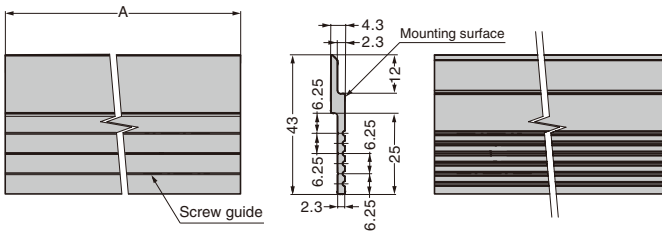
**Installation**



**Panel Installation**



**Example**



Item Code	Item Name	A	Material	Finish	Load Capacity N	Load Capacity kgf	Weight (g)	Carton (pcs)
110-021-888	AUH-900	900	Aluminium Alloy	Anodised Silver	294.2	30	35	10
110-023-958	AUH-2700	2700					700	10

**LAMP PANEL CATCH AUH-C70 For Panel Hanger "AUH" NEW**

Latest Info



- Holds panels hanged with the AUH in place. This catching function prevents panels from moving or falling even when bumped.
- Specially designed for use with the AUH panel hanger.
- The correct mounting position can be found by simply aligning with the AUH.

SUS

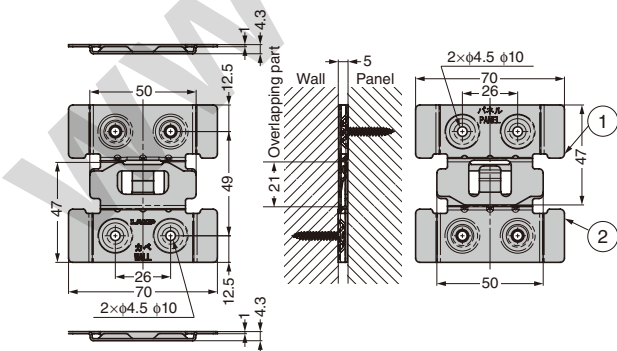
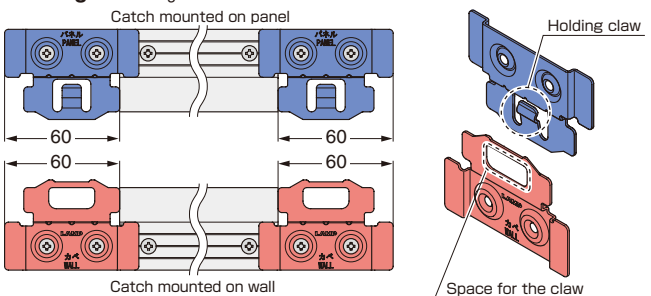
**Remarks**

- Please make sure that the panel is not subject to a pulling force when using the AUH-C70 without the AUH.
- Recommended quantity per panel: two
- The retaining force may vary. Please confirm with actual products before use.
- When used together with the AUH, make space for mounting/dismounting that is larger than the overlapping part.

**Recommended Screw**

- Cross-recessed countersunk head tapping screw 4

**Drawing** when using two AUH-C70 and AUH



No.	Part Name	Material	Finish/Colour
①	Catch mounted on panel	Stainless Steel (SUS304)	Barrel
②	Catch mounted on wall		Polished

Item Code	Item Name	Retaining Force N	Retaining Force kgf	Load Capacity N*	Load Capacity kgf*	Weight (g)
110-044-905	AUH-C70	50	5.1	100	10.2	41

\* The load capacity is a value when using the AUH-C70 alone. When using with the AUH, please see the load capacity of the AUH.