



K12 SYSTEM & K12 SYSTEM ADJ



h Tech 14 mm
magnet
le or invisible version



OPENING
SYSTEMS FOR
LIFT UP AND
DROP DOWN
DOORS



K12 SYSTEM LIFT UP

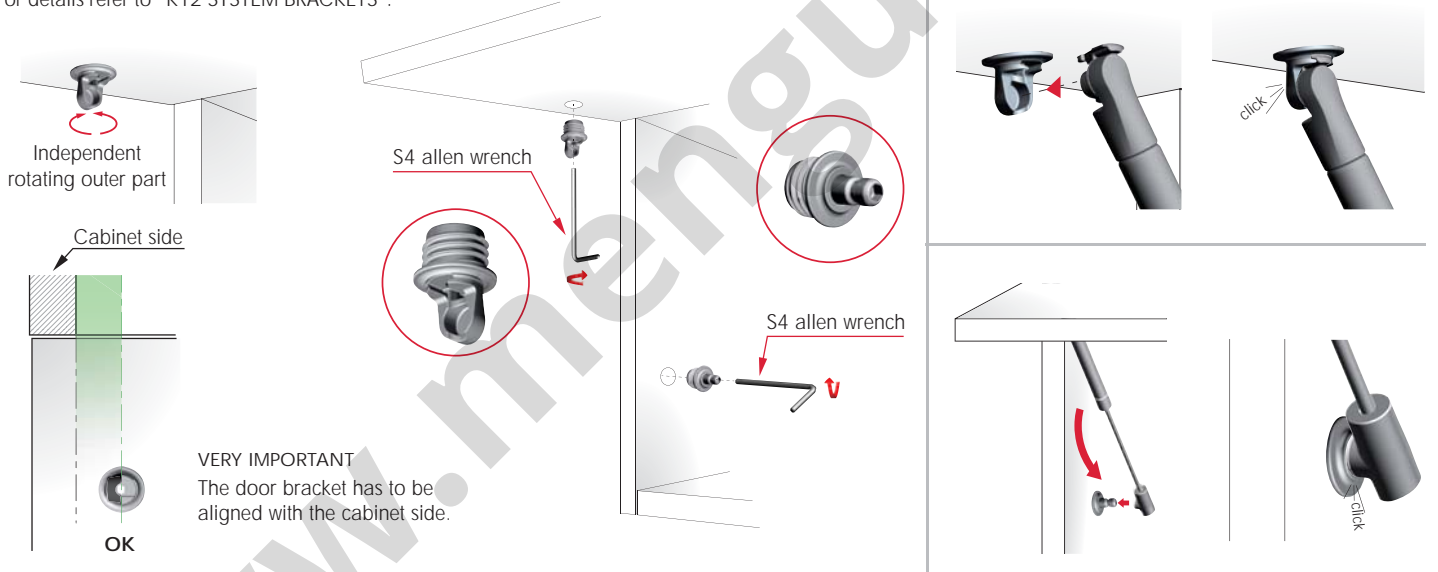


REGISTERED DESIGN
Certificates available on request.



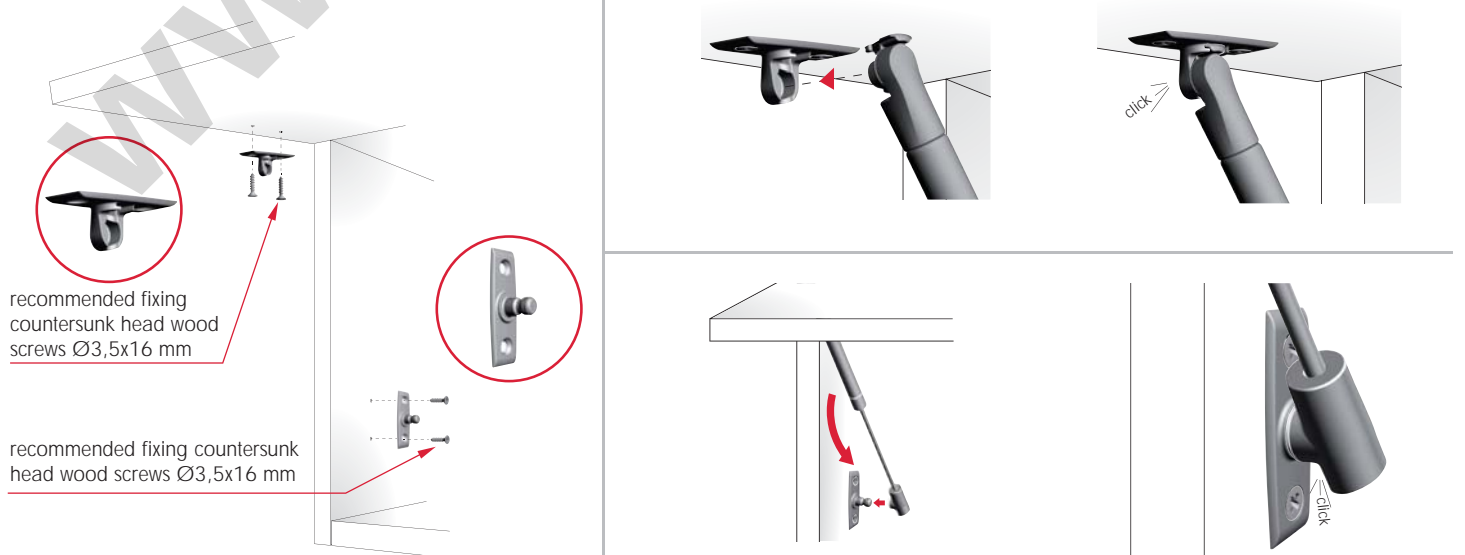
BRACKET Ø15 INSTALLATION

- For details refer to "K12 SYSTEM BRACKETS".



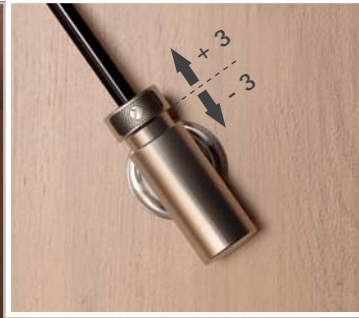
SCREW FIXING BRACKETS INSTALLATION

- For details refer to "K12 SYSTEM BRACKETS".





K12 SYSTEM ADJ LIFT UP

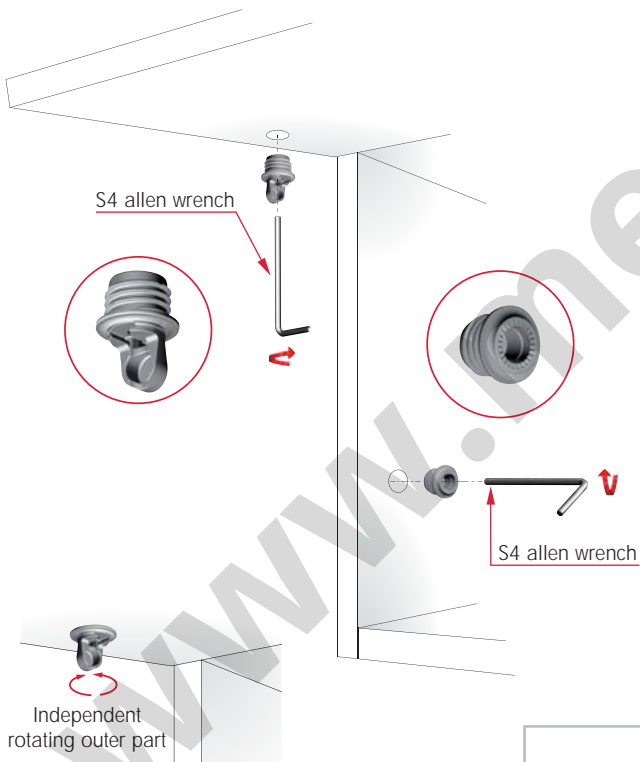


Certificates available on request.

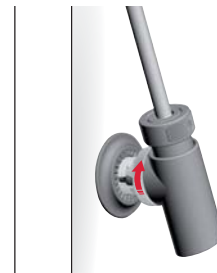
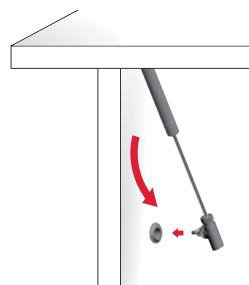


INSTALLATION

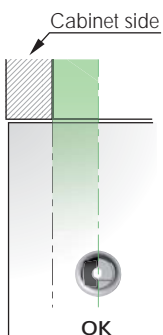
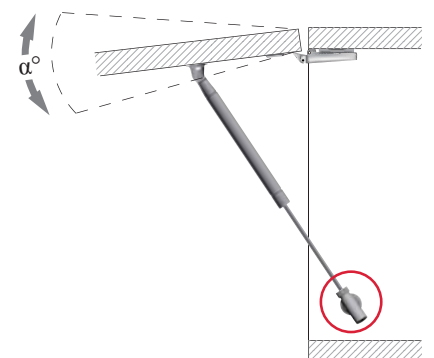
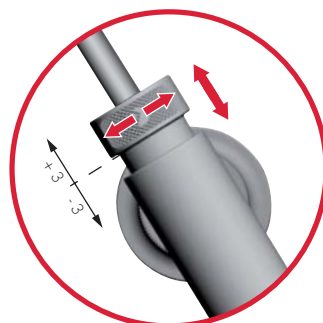
- For details refer to "K12 SYSTEM ADJ BRACKETS".



LOCKING: Rotate the plastic knob.



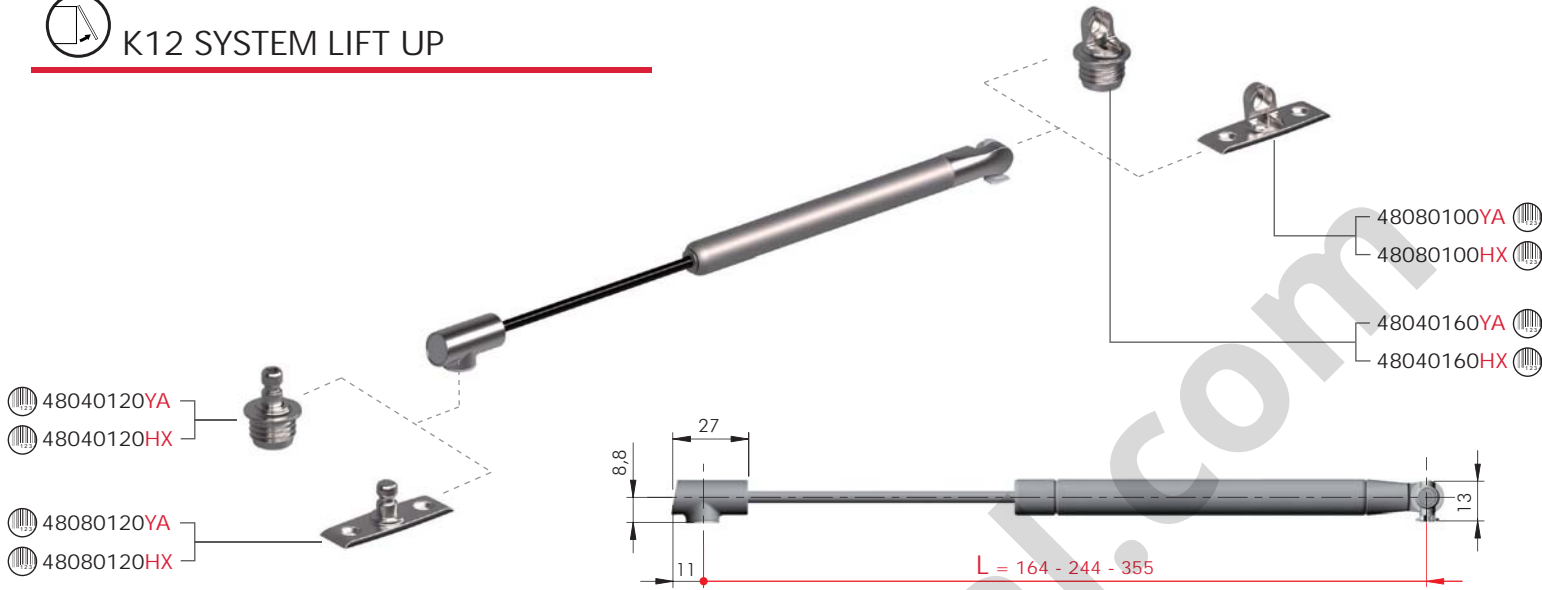
ADJUSTMENT



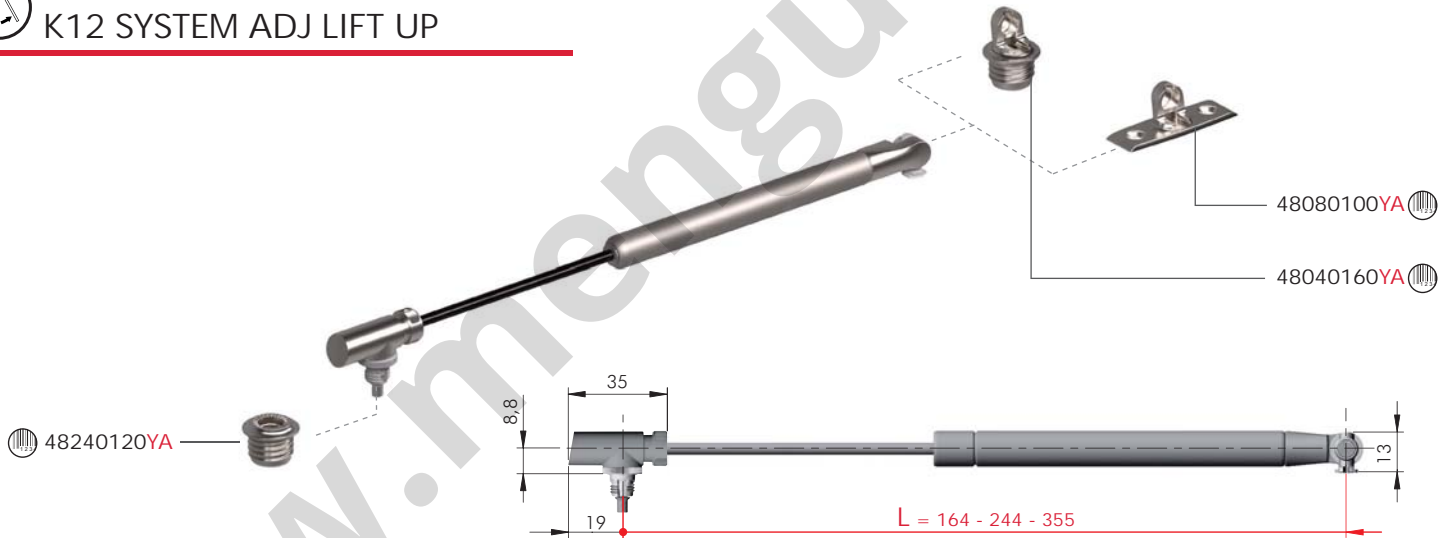
VERY IMPORTANT
The door bracket has to be
aligned with the cabinet side.



K12 SYSTEM LIFT UP



K12 SYSTEM ADJ LIFT UP



ZA EP ST

= 100 pcs. for L. 164 mm
50 pcs. for L. 244 and 355 mm

L	K12 SYSTEM	K12 SYSTEM ADJ	N
164	48010420UZ	48210420UZ	50
	48010460UZ	48210460UZ	80
	48010500UZ	48210500UZ	100
	48010540UZ	48210540UZ	120

+ Part.no + HX

L	K12 SYSTEM	K12 SYSTEM ADJ	N
244	48020420UZ	48220420UZ	50
	48020460UZ	48220460UZ	80
	48020480UZ	48220480UZ	100
	48020500UZ	48220500UZ	120
	48020540UZ	48220540UZ	140

+ Part.no + HX

L	K12 SYSTEM	K12 SYSTEM ADJ	N
355	48030430UZ	48230430UZ	60
	48030470UZ	48230470UZ	90
	48030490UZ	48230490UZ	110

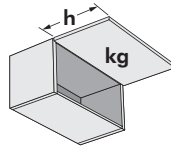
+ Part.no + HX

+ Part.no + HX = K12 System with end parts in graphite finish are available on request.

Further newton strengths available on request.



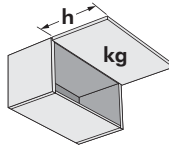
Number of stays chart - L 164 mm



Rev. 02

h	Door weight (kg)															
	1	1,5	2	2,5	3	3,5	4	4,5	5	5,5	6	6,5	7	7,5	8	8,5
200 - 224	2x50N		2x80N		2x100N		2x120N		3x120N		4x100N		4x120N			
225 - 274	2x50N		2x80N		2x100N		2x120N		3x120N		4x100N		4x120N			
275 - 300	2x50N		2x80N		2x100N		2x120N		3x100N		3x120N		4x100N		4x120N	

Number of stays chart - L 244 mm

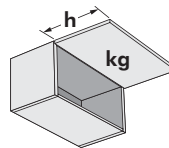


Rev. 02

h	Door weight (kg)																									
	1	1,5	2	2,5	3	3,5	4	4,5	5	5,5	6	6,5	7	7,5	8	8,5	9	9,5	10	10,5	11	11,5	12	12,5	13	13,5
290 - 324	1x50N	1x80N		2x50N		2x80N						2x100N		2x120N		2x140N		2x160N*		2x180N*						
325 - 374	1x50N	1x80N	2x50N		2x80N						2x100N		2x120N		2x140N		2x160N*		2x180N*							
375 - 424	1x50N	1x80N	2x50N		2x80N				2x100N		2x120N		2x140N		2x160N*		2x180N*						3x140N			
425 - 474	1x50N	2x50N		2x80N				2x100N		2x120N		2x140N		2x160N*		2x180N*				3x160N*		3x180N*				
475 - 500	1x50N	2x50N		2x80N		2x100N		2x120N		2x140N		2x160N*		2x180N*		3x160N*				3x180N*						

* Strenights available on request.

Number of stays chart - L 355 mm



Rev. 02

h	Door weight (kg)																									
	1	1,5	2	2,5	3	3,5	4	4,5	5	5,5	6	6,5	7	7,5	8	8,5	9	9,5	10	10,5	11	11,5	12	12,5	13	13,5
390 - 424	1x60N		1x90N		2x60N				2x90N				2x110N				3x90N									
425 - 474	1x60N		1x90N		2x60N				2x90N				2x110N				3x90N				3x110N					
475 - 524	1x60N		1x90N		2x60N				2x90N				2x110N				3x90N				3x110N		4x90N			
525 - 574	1x60N		1x90N		2x60N		2x90N				2x110N				3x90N				3x110N				4x90N		4x110N	
575 - 600	1x90N		2x60N		2x90N		2x110N				3x90N				3x110N				4x90N				4x110N			

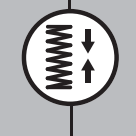
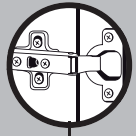
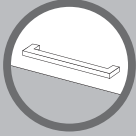
These are experimental results to be checked by the customer. Our Technical Department is at your disposal to test further cases out of this chart.



K12 SYSTEM
CONFIGURATOR:

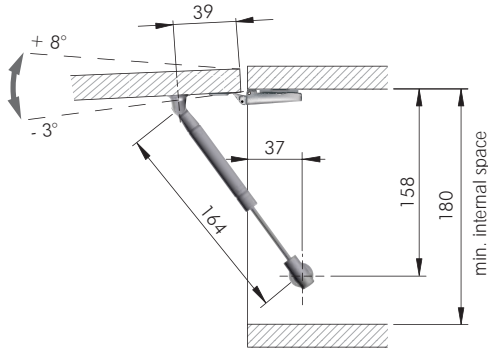


LIFT UP DRILLING PLANS WITH STANDARD HINGES
OPENING WITH HANDLE

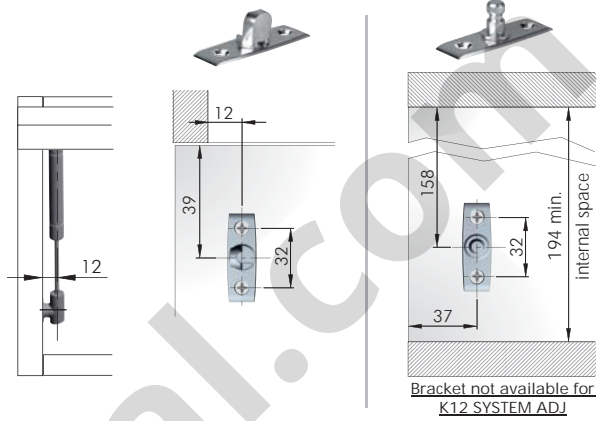


L 164 mm

Opening angle adjustment is possible only with K12 SYSTEM ADJ version.

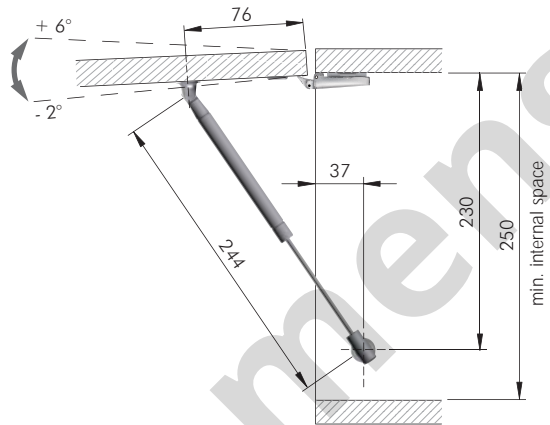


SCREW FIXING BRACKETS:

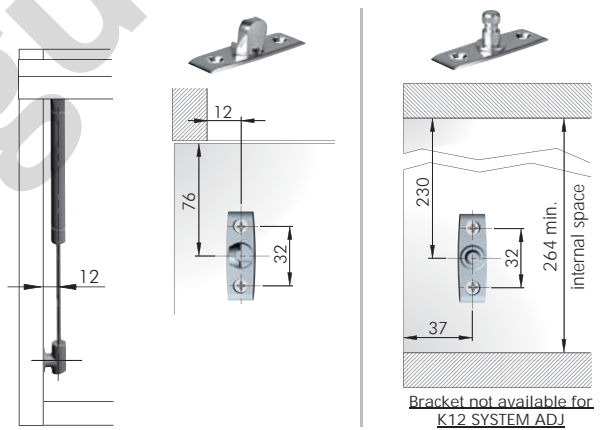


L 244 mm

Opening angle adjustment is possible only with K12 SYSTEM ADJ version.

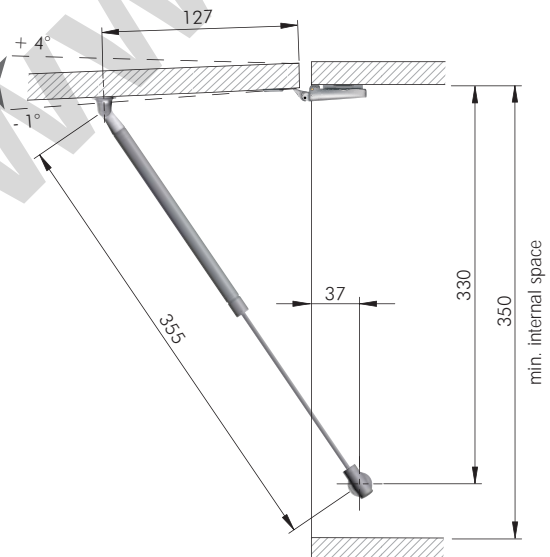


SCREW FIXING BRACKETS:

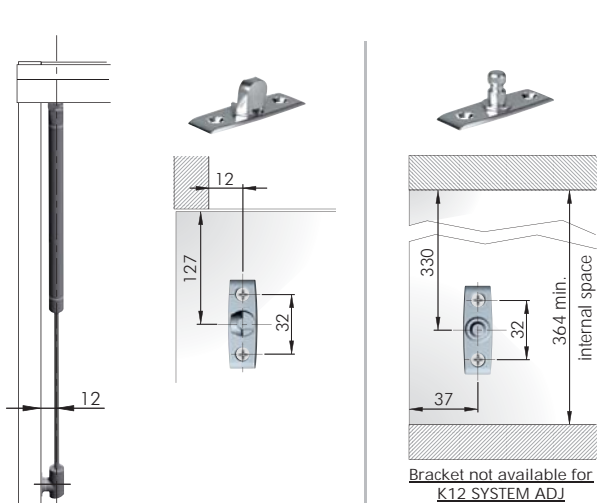


L 355 mm

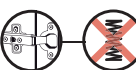
Opening angle adjustment is possible only with K12 SYSTEM ADJ version.



SCREW FIXING BRACKETS:



The dimensions of the above drilling plans refer to carcasses which use **standard sprung or unsprung hinges** and mounting plates 0 mm. Please note that the opening angle varies with respect to the hinge brand and adjustment carried out.

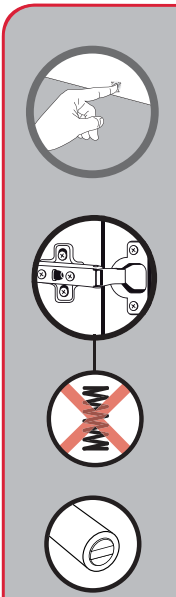


Please note that in case of use of **unsprung hinges**, magnet **K Lock** is required. For details refer to section "PUSH CATCHES & MAGNETIC CATCHES".



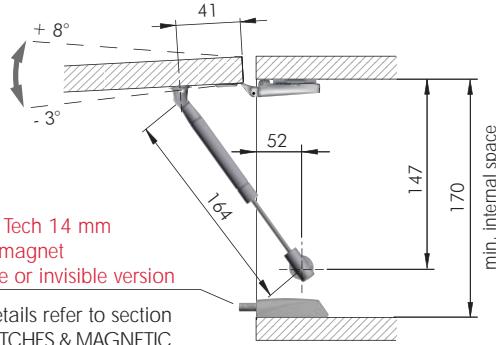
**LIFT UP DRILLING PLANS WITH STANDARD HINGES
PUSH TO OPEN**

K12 SYSTEM
CONFIGURATOR:



L 164 mm

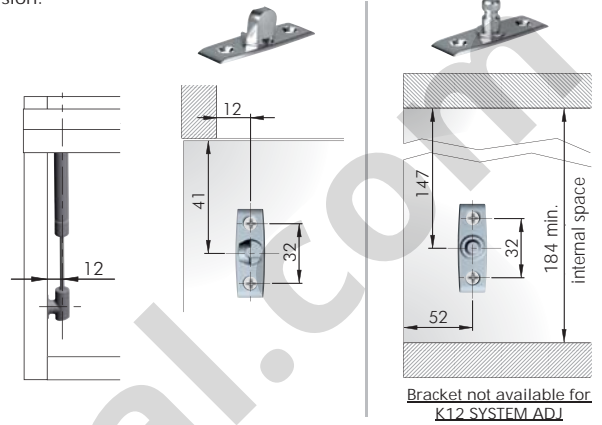
Opening angle adjustment is possible only with K12 SYSTEM ADJ version.



K Push Tech 14 mm
- With magnet
- Visible or invisible version

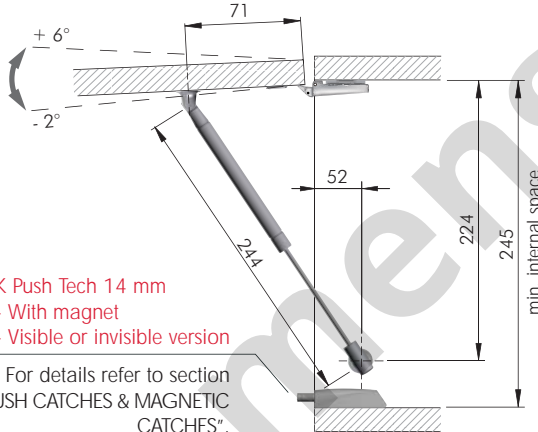
For details refer to section
"PUSH CATCHES & MAGNETIC
CATCHES".

SCREW FIXING BRACKETS:



L 244 mm

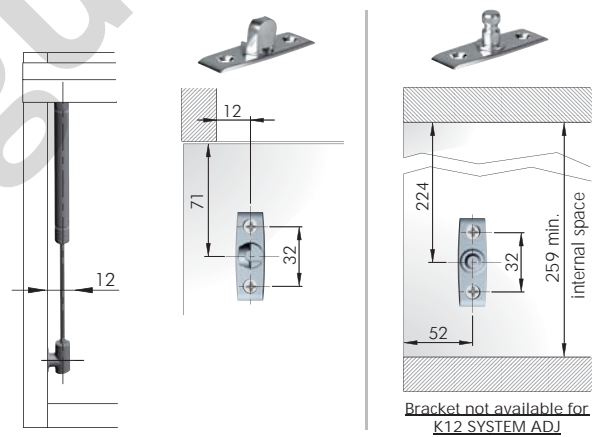
Opening angle adjustment is possible only with K12 SYSTEM ADJ version.



K Push Tech 14 mm
- With magnet
- Visible or invisible version

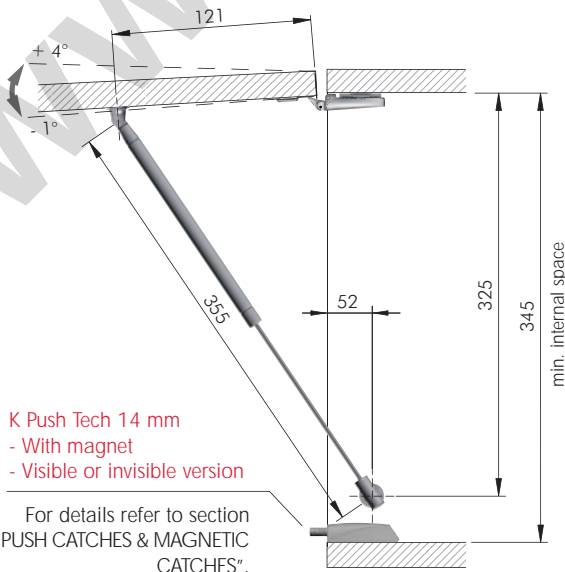
For details refer to section
"PUSH CATCHES & MAGNETIC
CATCHES".

SCREW FIXING BRACKETS:



L 355 mm

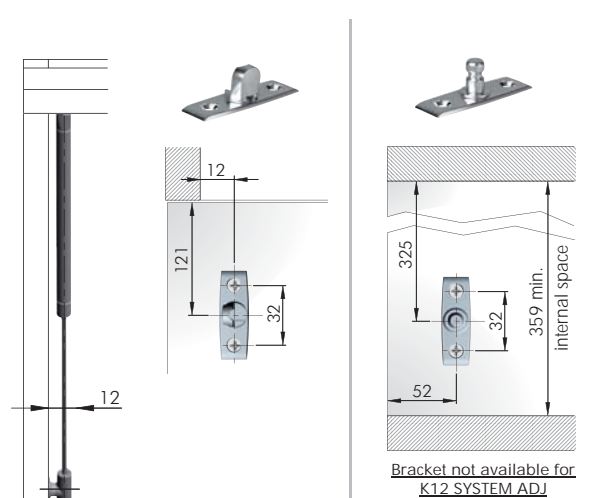
Opening angle adjustment is possible only with K12 SYSTEM ADJ version.



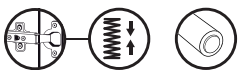
K Push Tech 14 mm
- With magnet
- Visible or invisible version

For details refer to section
"PUSH CATCHES & MAGNETIC
CATCHES".

SCREW FIXING BRACKETS:



The dimensions of the above drilling plan refer to carcasses which use **standard unsprung hinges** and mounting plates 0 mm. Please note that the opening angle varies with respect to the hinge brand and adjustment carried out.



Please note that utilization with **standard sprung hinges** and **K Push Tech with buffer** is also possible. In such case, after the door is initially released by K Push Tech, a manual opening approx. 7cm is required (in order to win the spring resistance). Consequently, the door will automatically open to the fullest. For details refer to section "PUSH CATCHES & MAGNETIC CATCHES".