

groël

Manega

The revolution of a timeless classic.

The Manega door handle design, with a proper and perennial style, is presented on a round rose. Thanks to its style full of eternal elegance, this Italian handle made in forged brass, modernises the most classic interiors.

Available in 2 finishes.

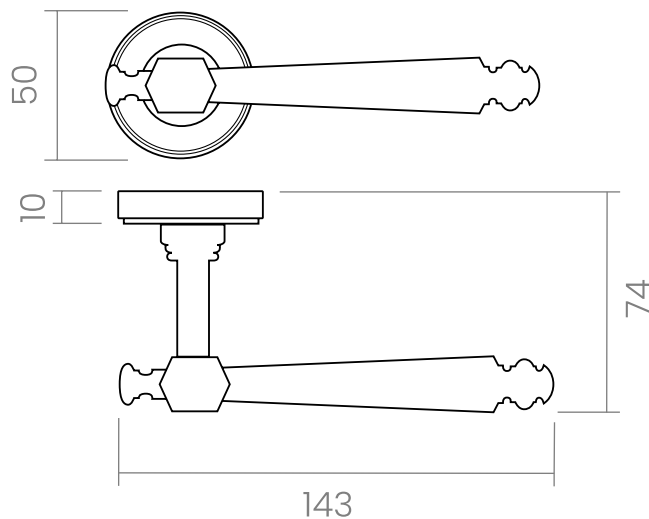


POWERCOAT POLISHED NICKEL



POWERCOAT POLISHED BRASS

groël







INFO. SPECIFICATIONS

Set of forged brass handles with an 8 mm thick round rose. Suitable for interior and exterior doors with a thickness between 35-50mm (Groël's standard size)* and with any type of lock.

For wider doors (50mm and above) and/or glass doors, please contact our customer service.

INFO. FINISHES & SKU

	PWLP Powercoat polished brass	520-R3-PWLP	
	PWNB Powercoat polished nickel	520-R3-PWNB	

INFO. INCLUDED

- 2x** Lever handles with round rose
- 1x** Square spindle
- 1x** Bag of screws

INFO. CARE INSTRUCTIONS

Clean with a dry cloth. Do not use brass cleaner as it might affect the protective coating.

INFO. DISCLAIMER

Always seek the advice of professionals when installing these handles.

Groël is not responsible for any inadequate installation that may damage the integrity of the product. Finishes other than Groël's Powercoat are not recommended for wet or humid environments.



Production processes follow ecological norms.



Mechanical guarantee far exceed 200.000 operational cycles



Made of solid brass



Powercoat LIFELONG GUARANTEE