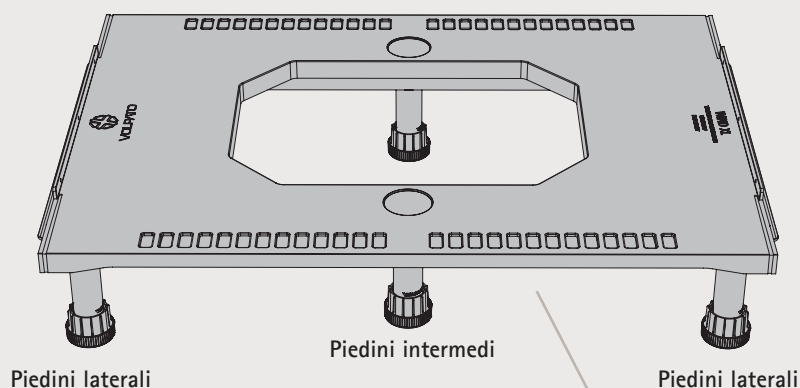


Base frigo wind Extralarge > Wind Extralarge Fridge base

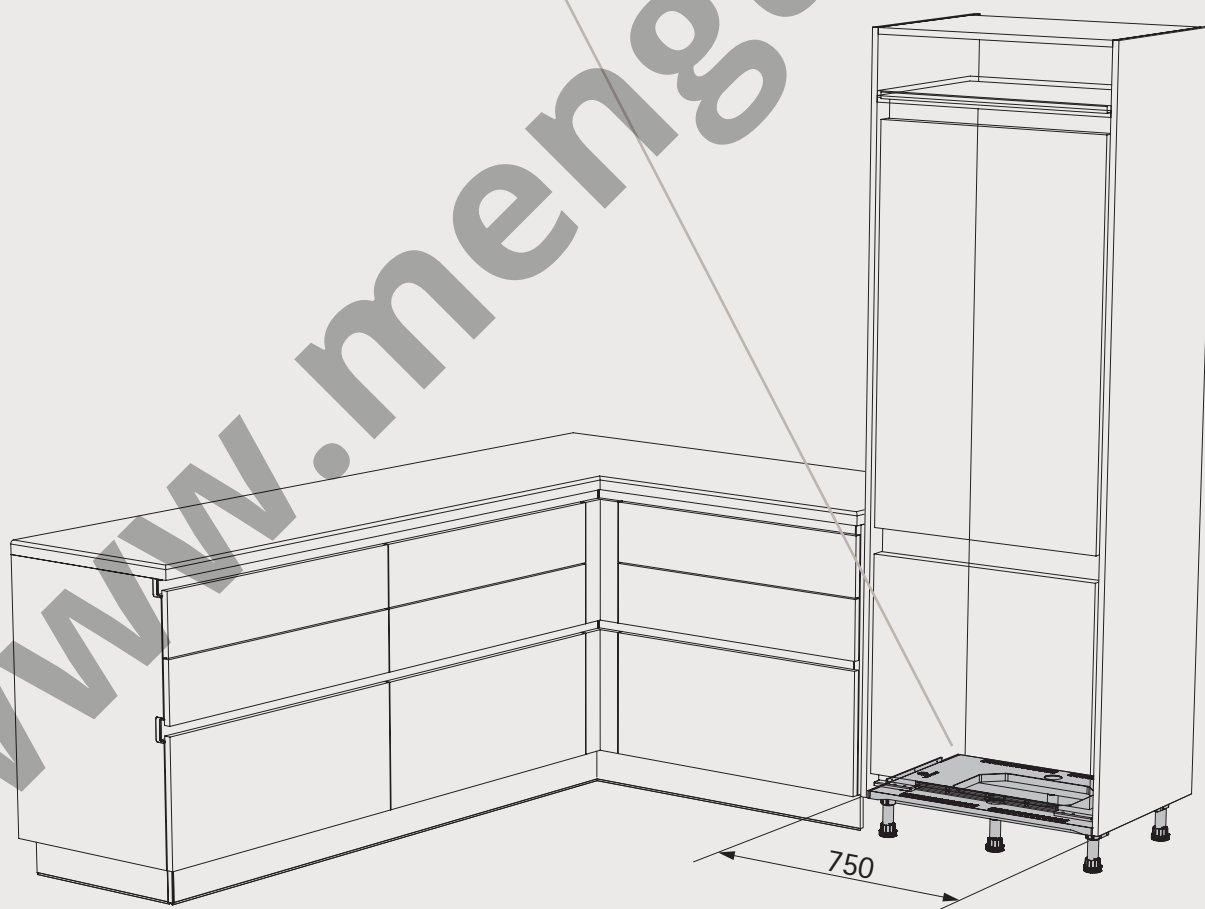


Serie 6x

Nuova base frigo predisposta per l'incasso dei nuovi frigoriferi Extralarge nel mobile colonna con larghezza da 750 mm

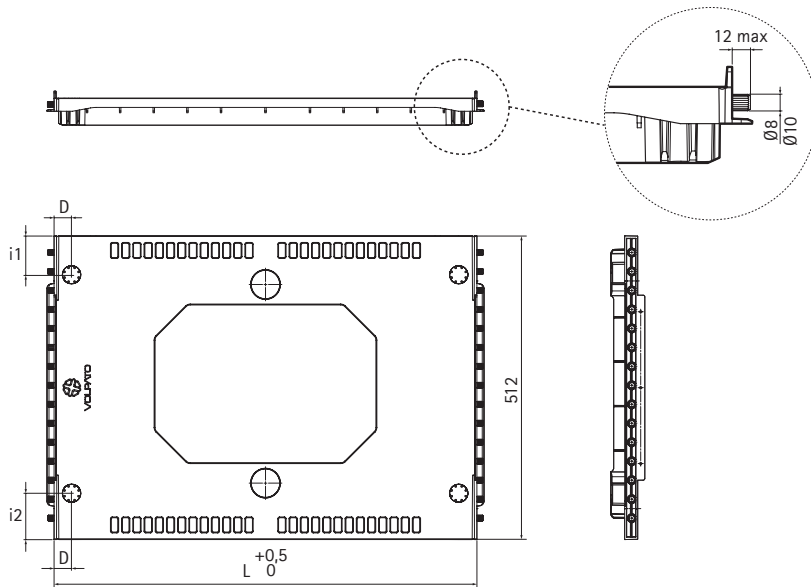
Serie 6x

New fridge base for the installation of new extra-large refrigerators for the built-in column of 750mm width



Serie 6x >

Base frigo wind Extralarge wind Extralarge Fridge base



Spessore fianchi 19 mm | For 19 mm thick panels

Code	pcs
* 31/61.VDXX	400

Per fianchi spessore 19mm - interasse i1=47/ i2=60
For 19mm thick panels - wheelbase i1=47/ i2=60

* 31/62.VDXX	400
--------------	-----

Per fianchi spessore 19mm - interasse i1=47/ i2=76
For 19mm thick panels - wheelbase i1=47/ i2=76

Spessore fianchi 18 mm | For 18 mm thick panels

Code	pcs
31/63.VDXX	400

Per fianchi spessore 18mm - interasse i1=47/ i2=60
For 18mm thick panels - wheelbase i1=47/ i2=60

31/64.VDXX	400
------------	-----

Per fianchi spessore 18mm - interasse i1=47/ i2=76
For 18mm thick panels - wheelbase i1=47/ i2=76

Spessore fianchi 16 mm | For 16 mm thick panels

Code	pcs
* 31/67.VDXX	400

Per fianchi spessore 16mm - interasse i1=47/ i2=60
For 16mm thick panels - wheelbase i1=47/ i2=60

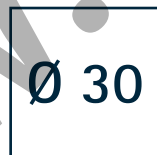
* 31/68.VDXX	400
--------------	-----

Per fianchi spessore 16mm - interasse i1=47/ i2=76
For 16mm thick panels - wheelbase i1=47/ i2=76

Configuratore | Configurator

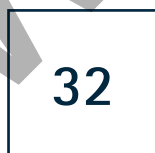
> Step V

Diametro piedino Ø28 C. Legs diameter Ø28	Diametro piedino Ø30 A. Legs diameter Ø30
--	--



> Step D

Distanza 32mm 2. Distance 32mm	Distanza 27mm 7. Distance 27mm
-----------------------------------	-----------------------------------



*

> Step XX

Spine Ø8 Pins Ø8	Spine Ø10 Pins Ø10
---------------------	-----------------------

