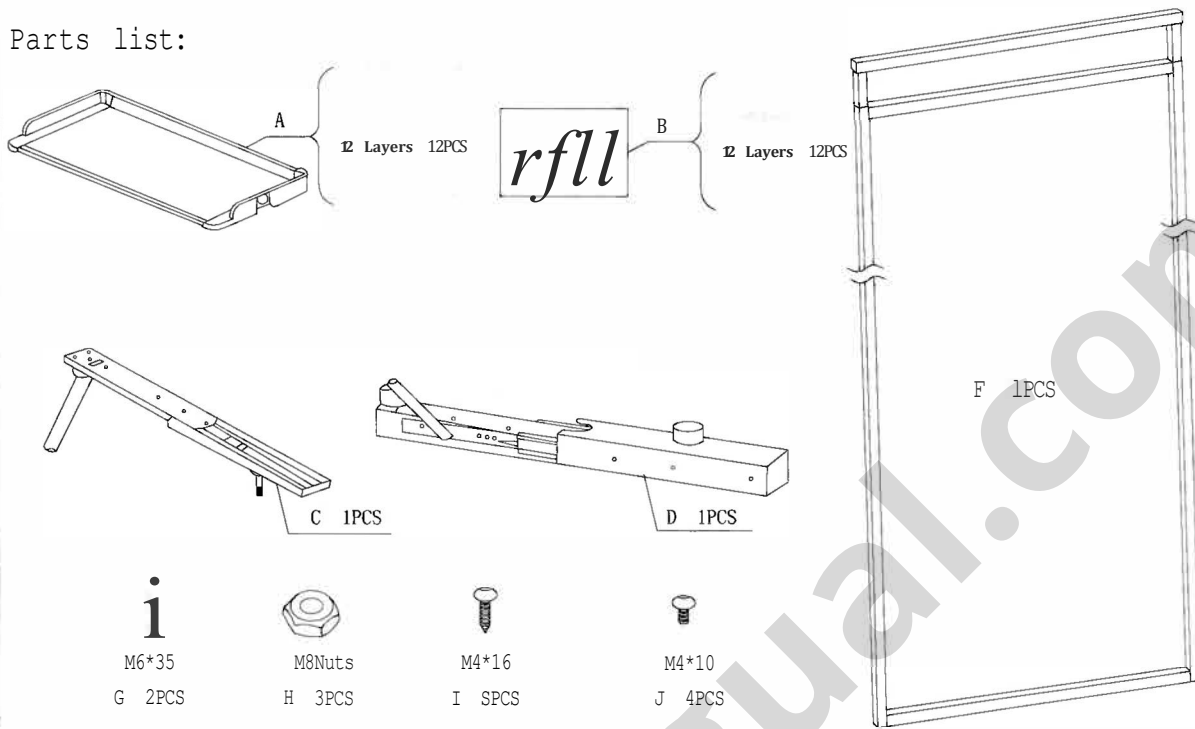
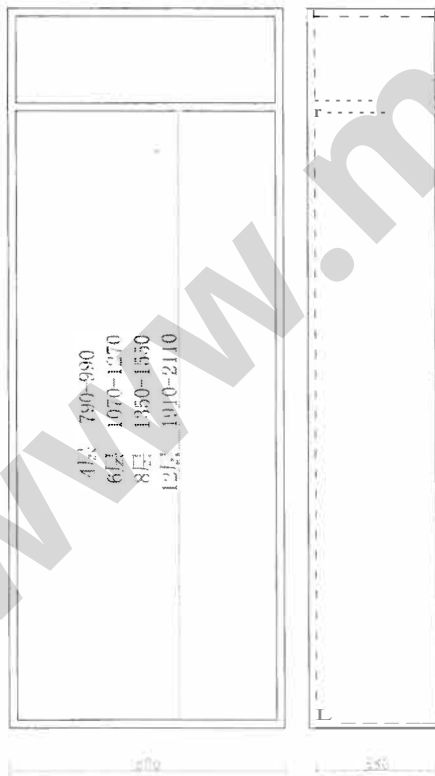


Parts list:



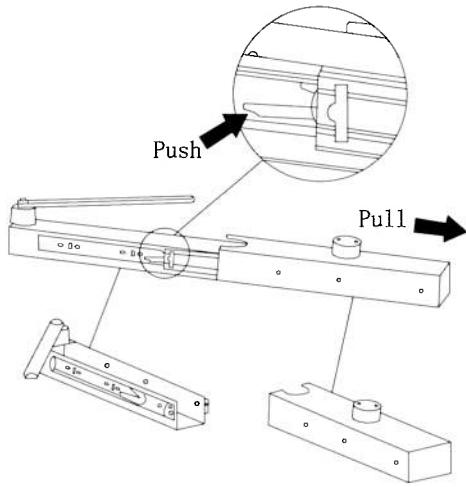
The specifications of each model correspond to the cabinet size reference table:



Models	Specifications	Inner width of cabinet body	Layers
		2761mm	
6052301	700*360* (1910-2110) mm		12Layers

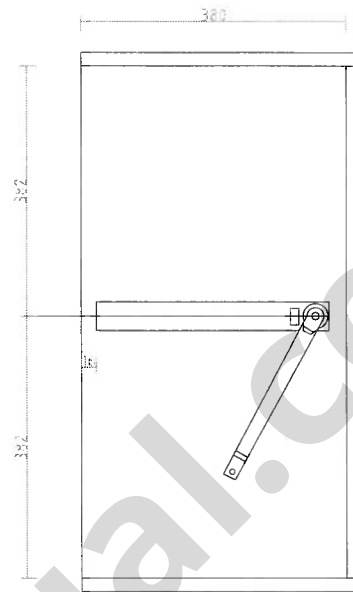
Install step punch:

Please complete the assembly in the order shown in figure 1234



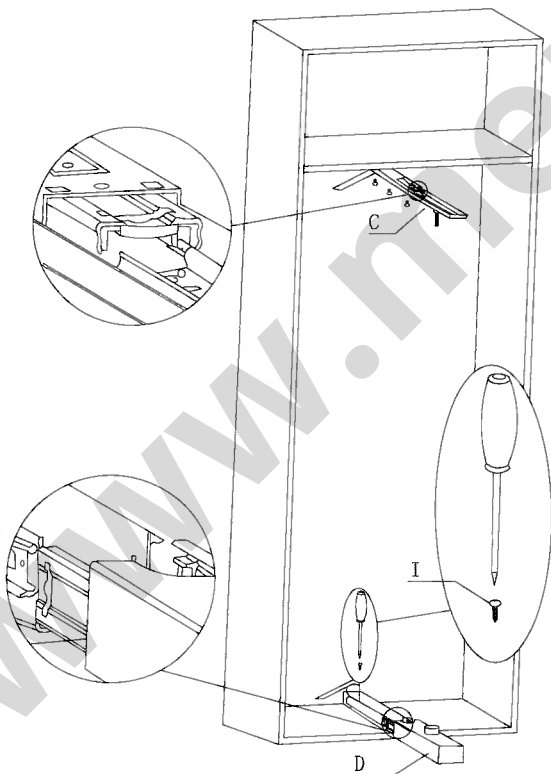
Bottom guide rail (D) split method: as shown, according to the arrow direction to the guide rail buckle upward push, the other side of the guide rail buckle downward push, while pulling the guide rail cover out. Top Rail C split method similar

1



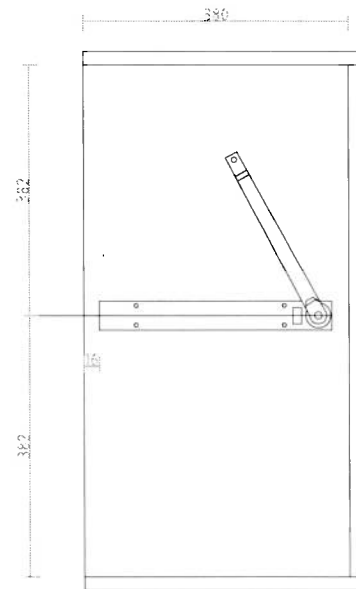
Top Rail mounting plan

2-1



After locking the screws, install the guide rail cover

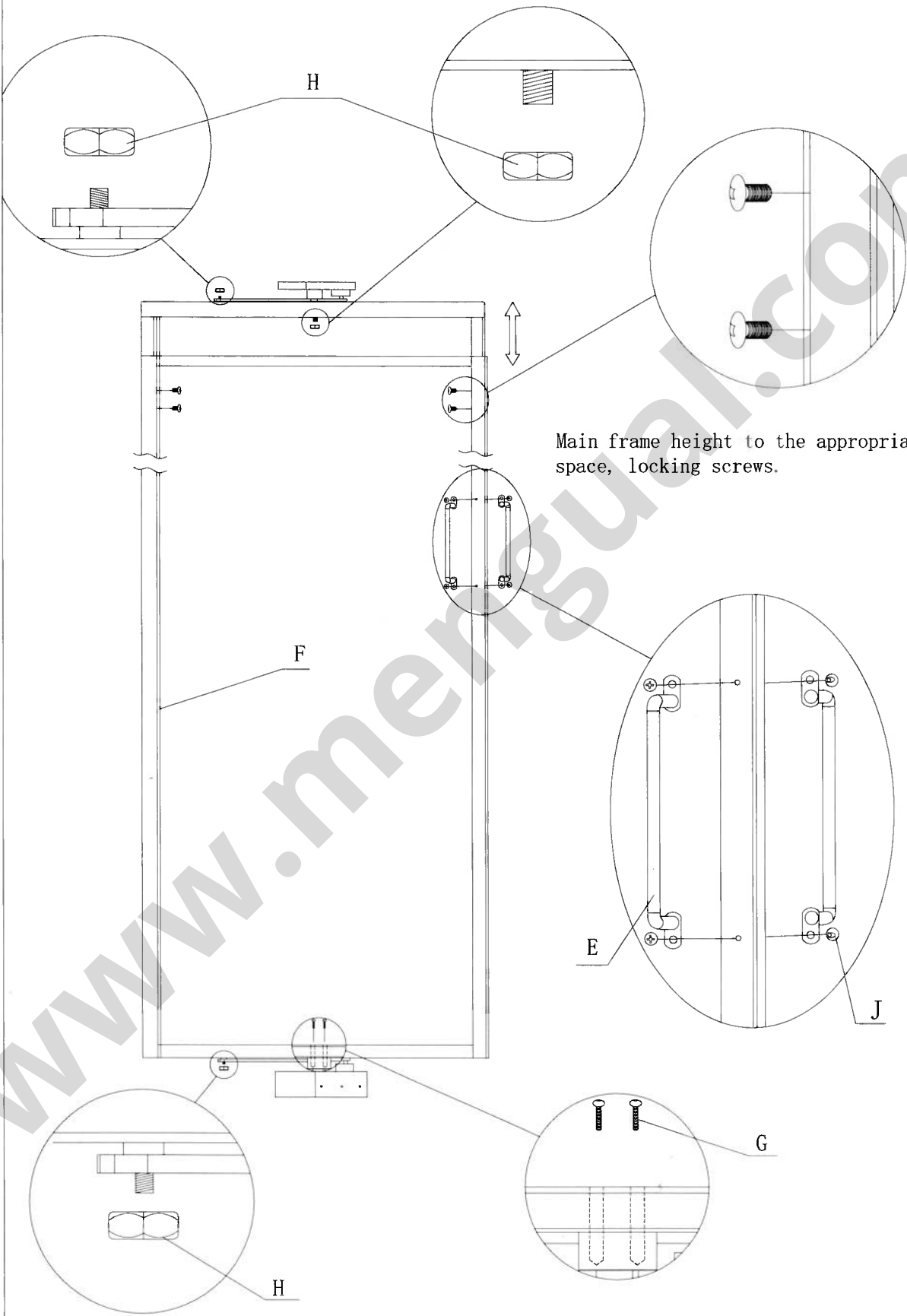
2-3



Floor plan for bottom rail installation

2-2

N012839



Main frame height to the appropriate space, locking screws.

