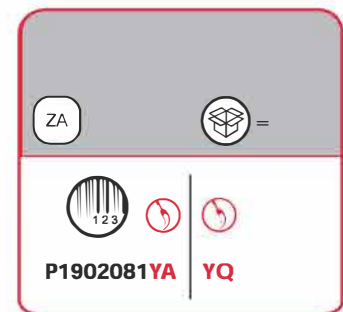
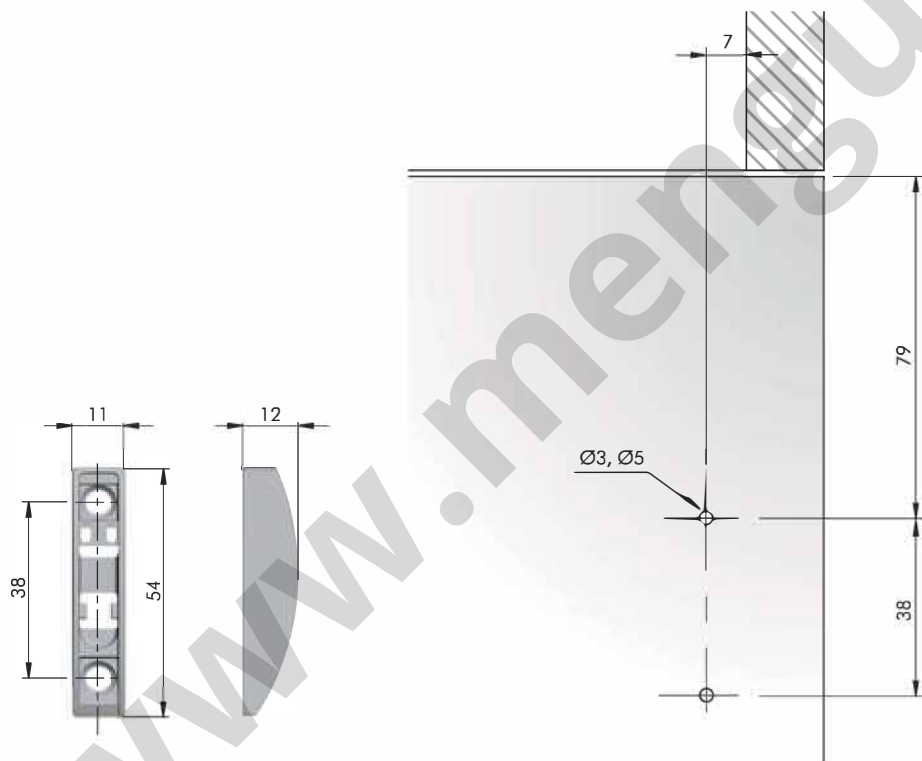


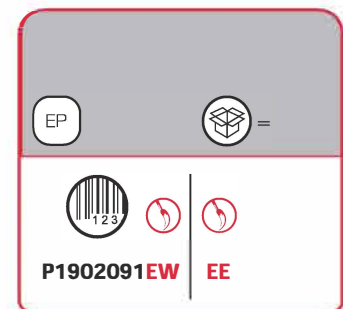
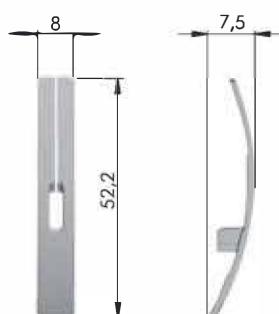


### ALTERNATIVE DOOR BRACKETS

#### Door bracket for screw fixing without milling on the door



8



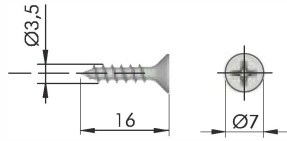
NOTE: Finishes matching between cover caps and door bracket:  
**EW → YA**  
**EE → YQ**



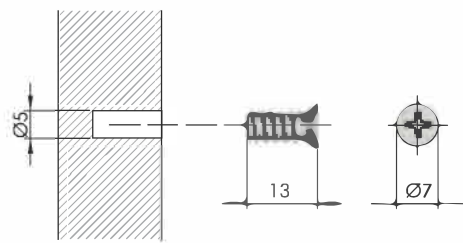
## OPENING SYSTEMS FOR LIFT UP AND DROP DOWN DOORS



### FIXING ACCESSORIES



= Ø 3 mm	= PZ2	= 10,000 pcs.
123		
<b>60101390ZN</b>		



= Ø 5 mm	= PZ2	= 5000 pcs.
123		
<b>60503050ZN</b>		

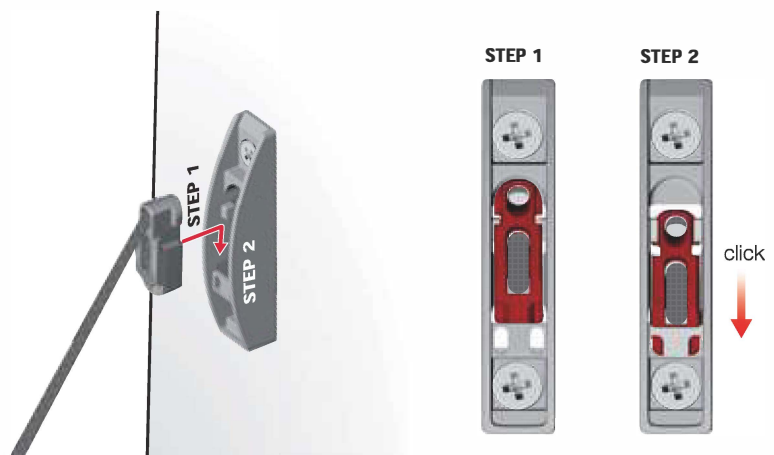
8

### DOOR BRACKET INSTALLATION



Recommended fixing countersunk head wood screws Ø3,5x16 mm or Euro thread screws with head Ø7 mm

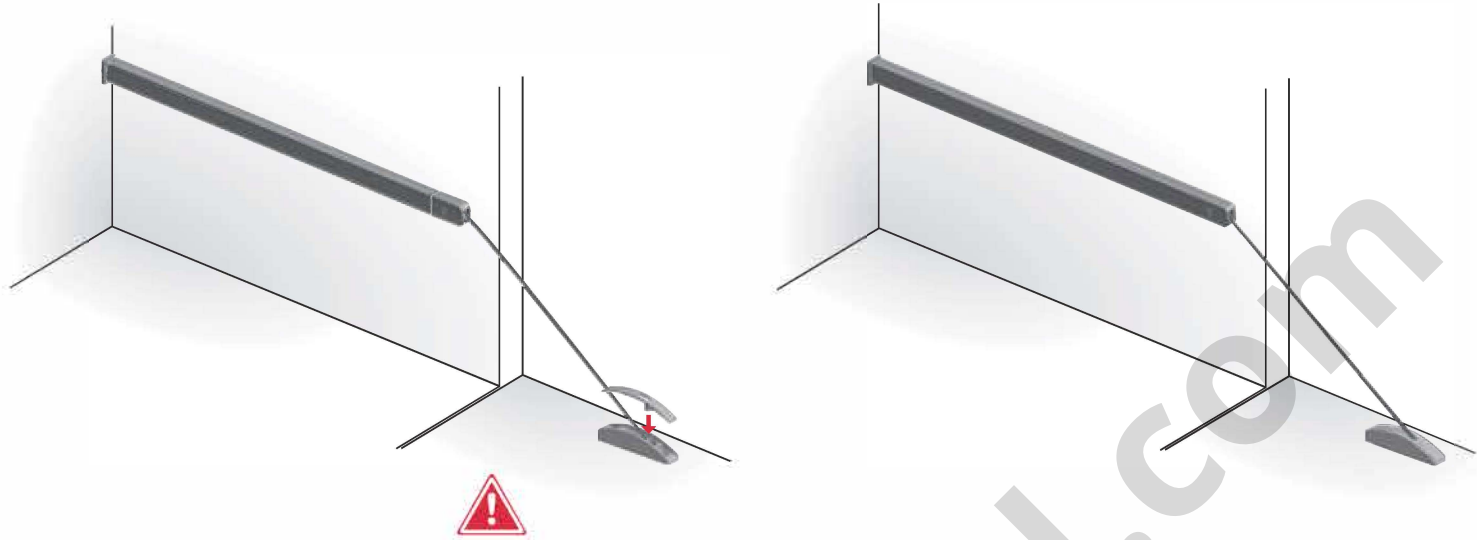
### WIRE INSERTION ONTO THE DOOR BRACKET



Lift the door almost completely to slot the end element of the wire into the door bracket.



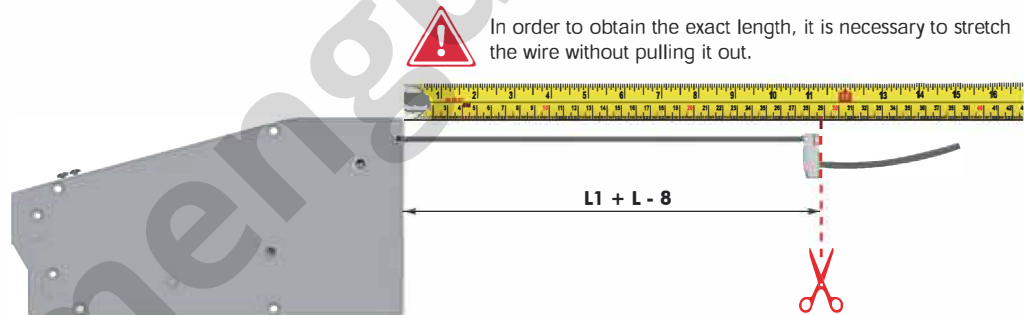
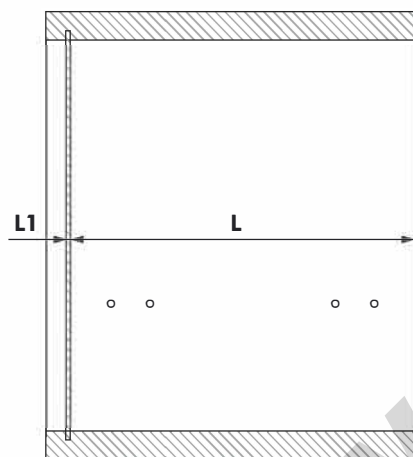
### DOOR BRACKETS COVER CAP INSERTION



Place the cover cap on the door bracket before lifting the door.

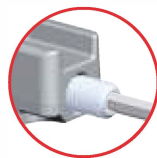
### INSTRUCTIONS FOR WIRE CUTTING

#### WIRE CUTTING WITH UNMOUNTED MECHANISM



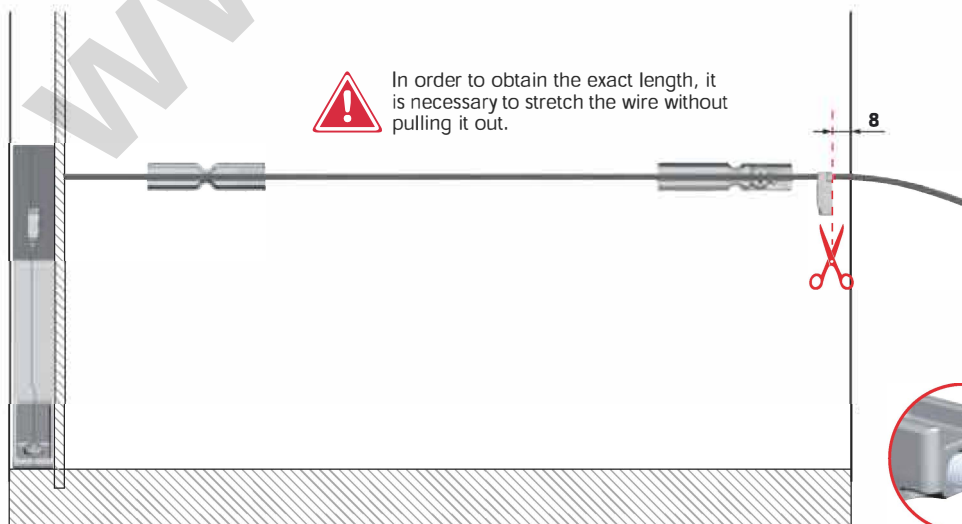
In order to obtain the exact length, it is necessary to stretch the wire without pulling it out.

$L1 + L - 8$



**VERY IMPORTANT:**  
Before cutting, it is necessary to lock the grub screw heavily.

#### WIRE CUTTING WITH MOUNTED MECHANISM



In order to obtain the exact length, it is necessary to stretch the wire without pulling it out.

8



**VERY IMPORTANT:**  
Before cutting, it is necessary to lock the grub screw heavily.