

STAR FOLD

3-4 Hojas / Sheets / Feuilles



Contenido del juego

Content of the set

Contenu de l'ensemble

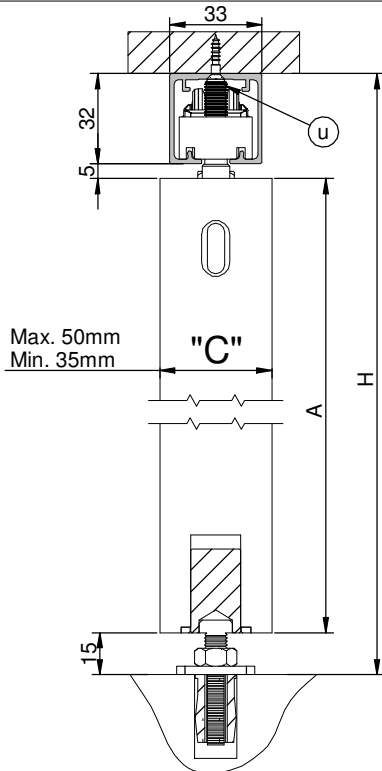


Ref. 00 88 01

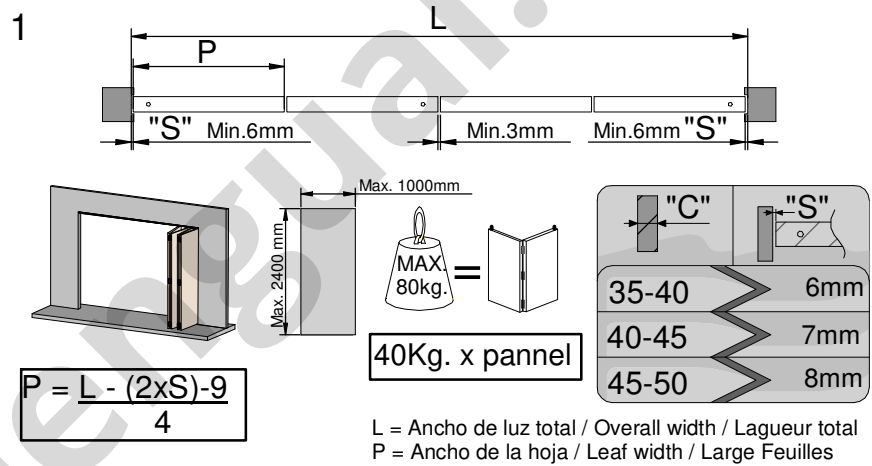


2x Ref. 00 88 02

z		1	s		2
y		1	r		2
x		1	v	 Din 7505 3,5x40	8
w		1	p		2
v	 Din 7505 3,5x40	8	m		1
u	 Din 913 M8x25	2	n	 Din 7505 4,5x50	2
vt		2	p		1
			t		1

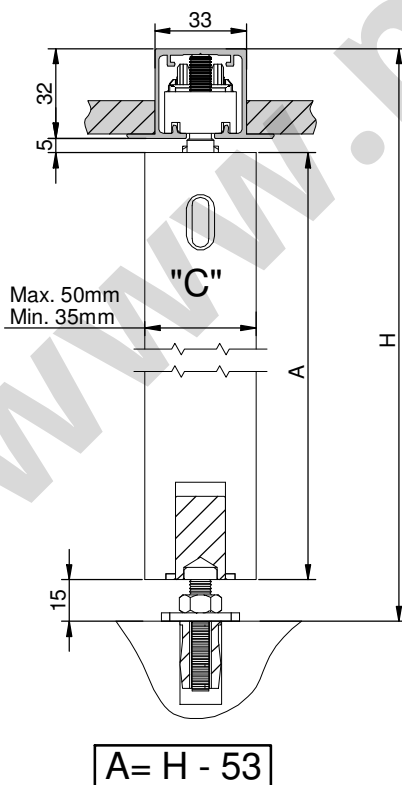


2

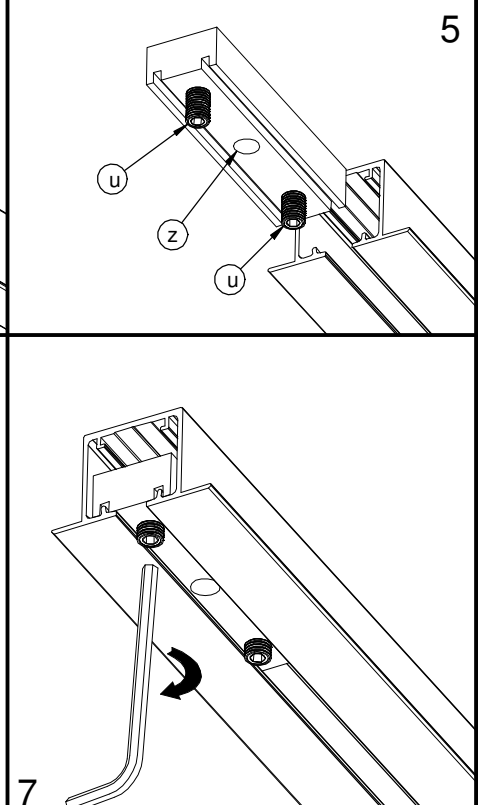
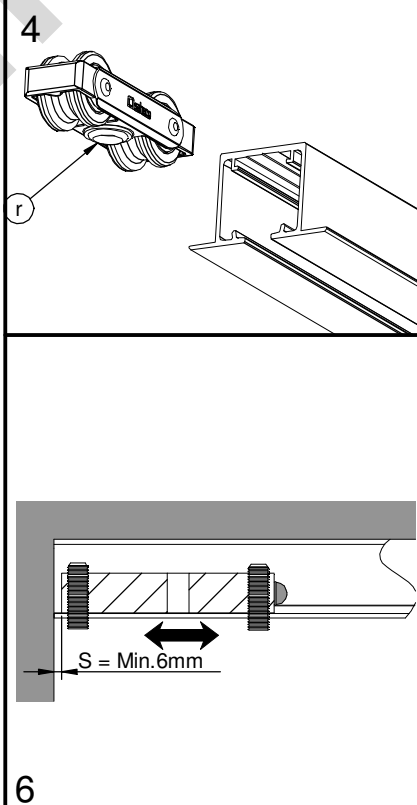


1

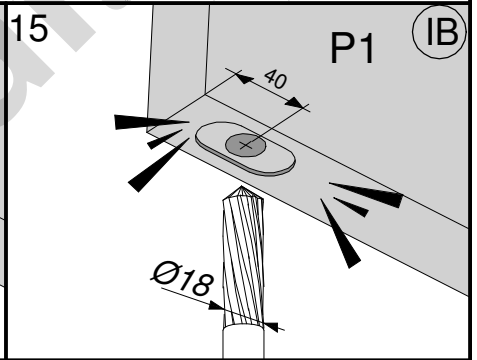
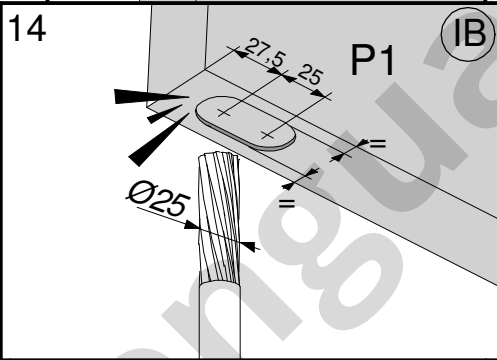
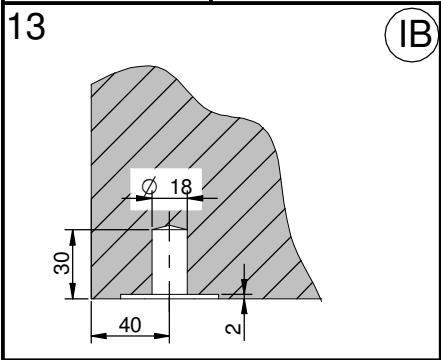
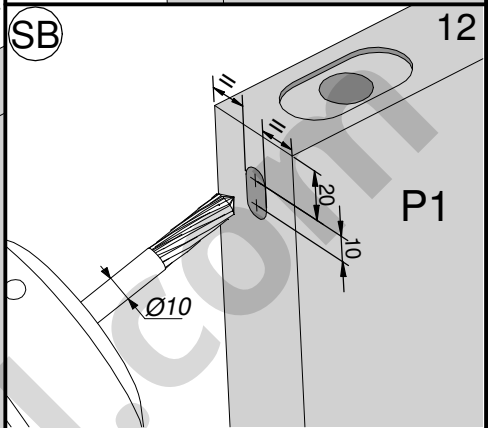
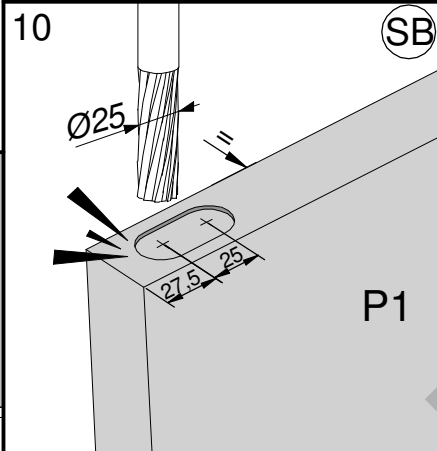
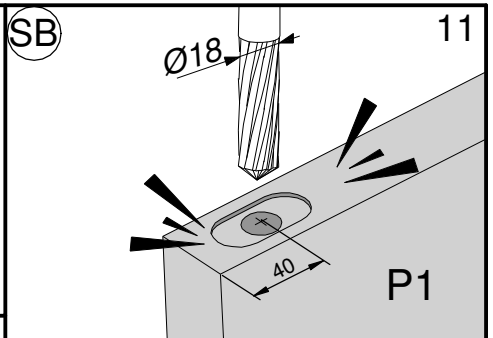
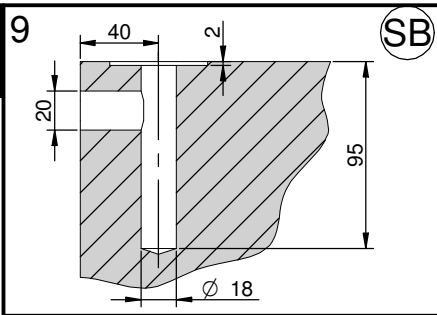
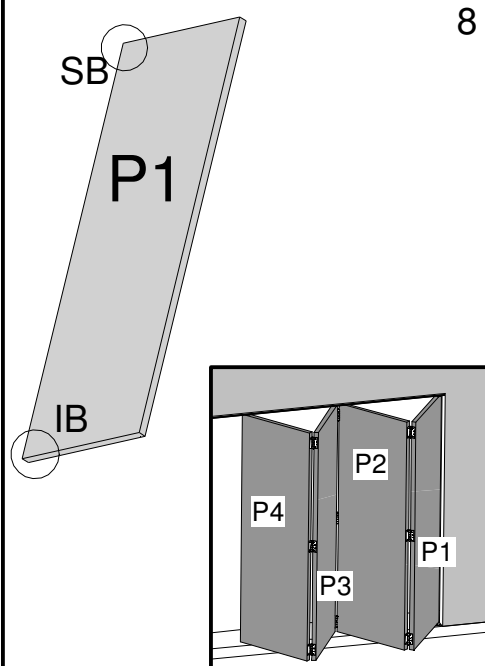
3



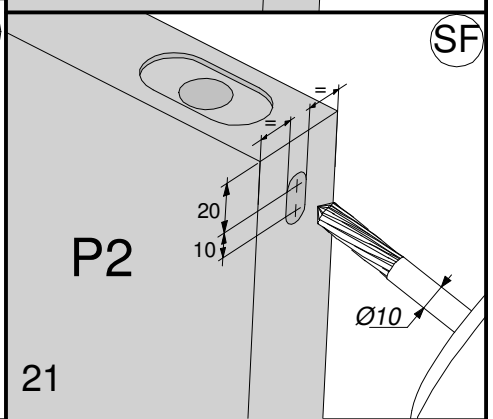
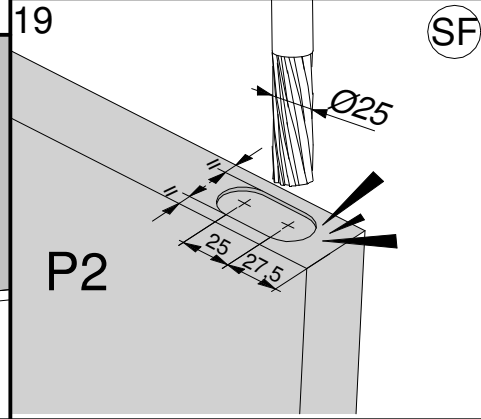
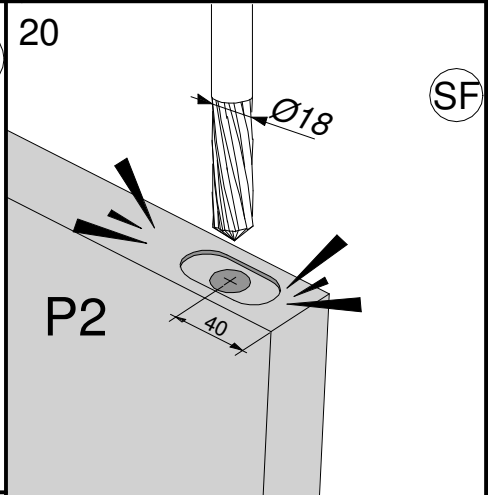
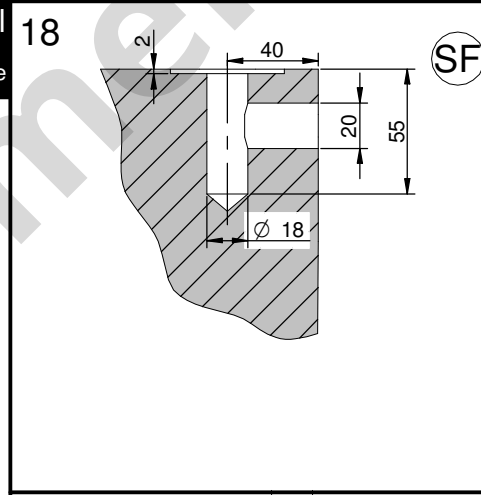
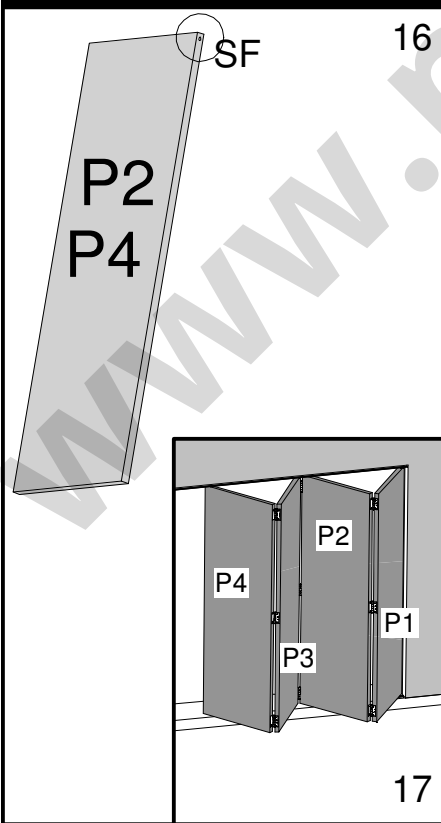
6



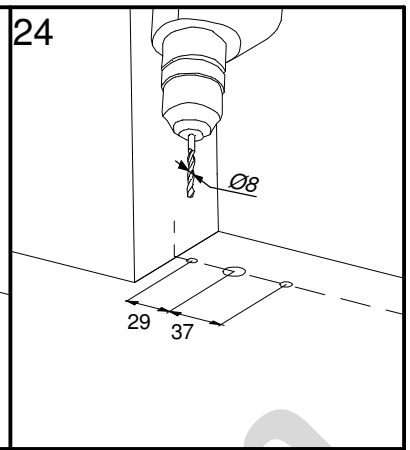
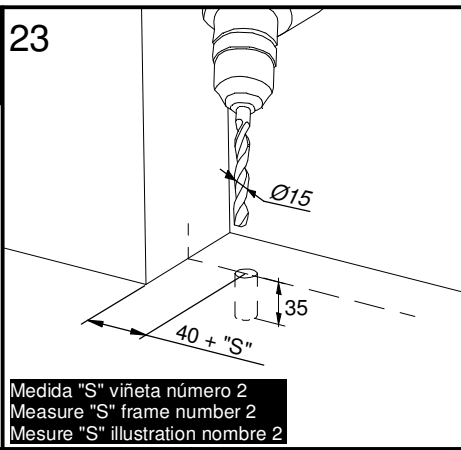
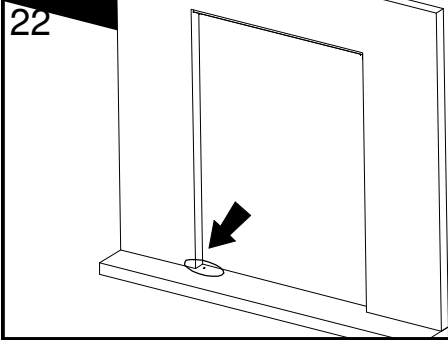
Mecanizados hoja batiente
 Swing Sheet mechanization
 Mécanisés panneau battante



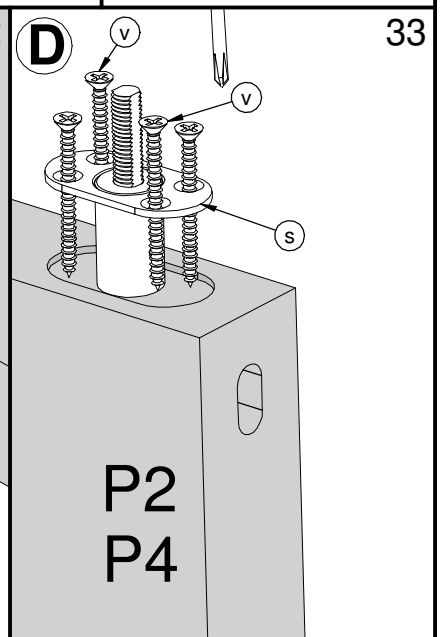
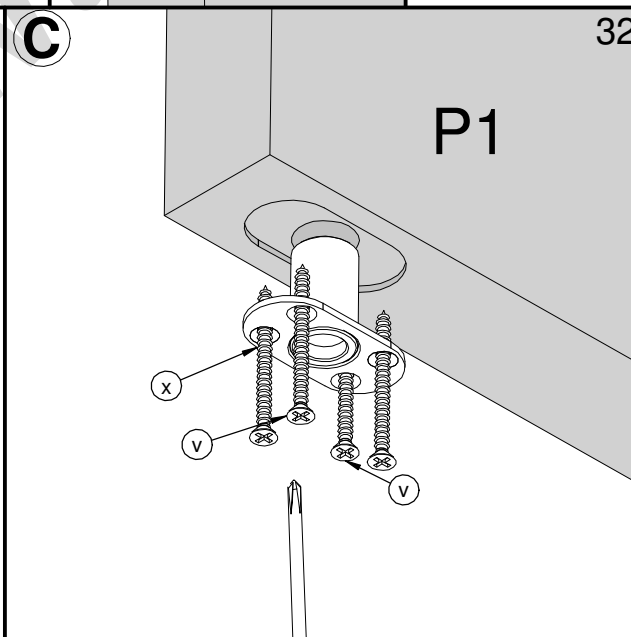
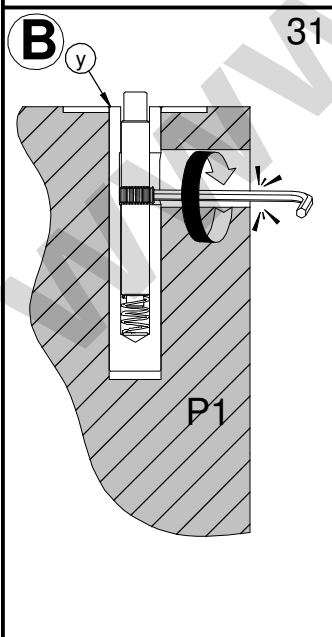
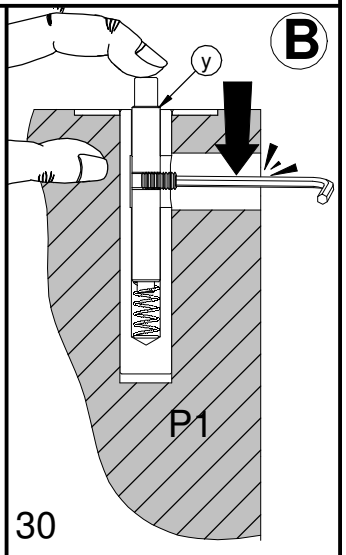
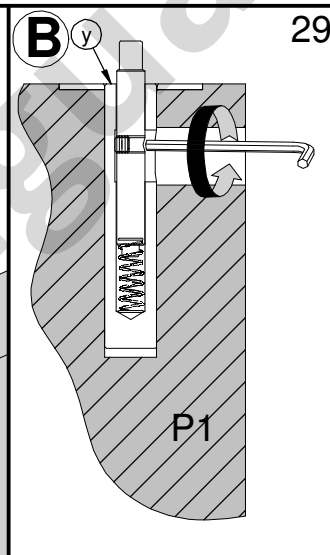
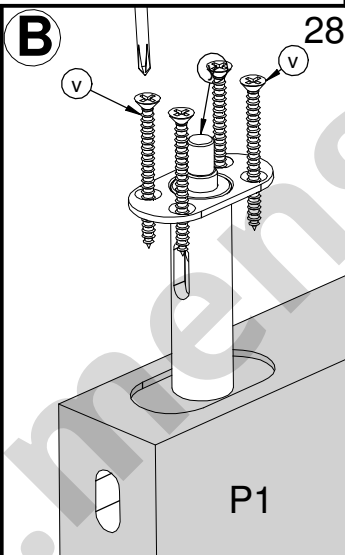
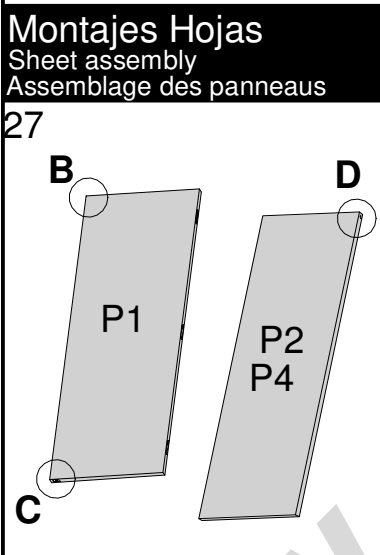
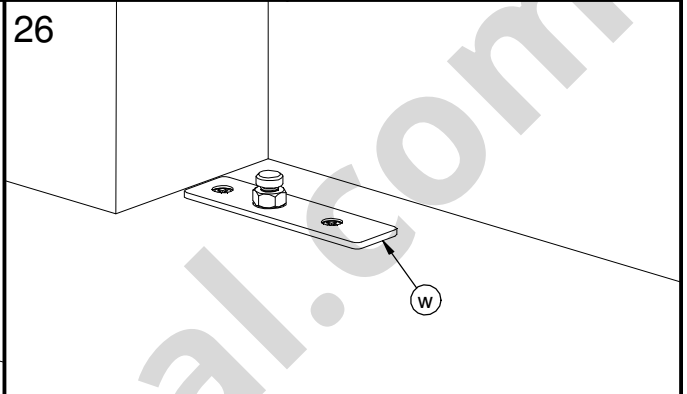
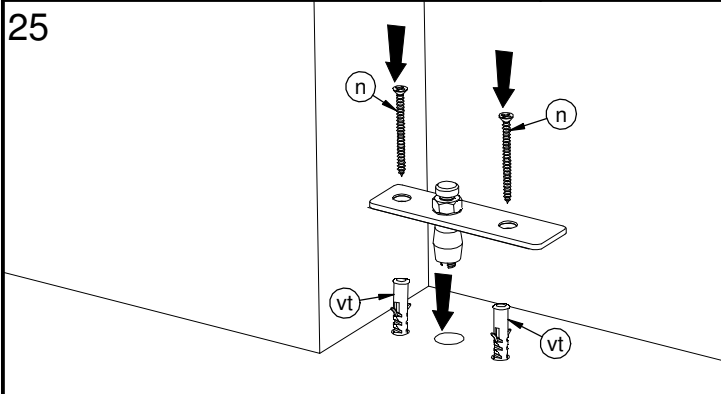
Mecanizado hoja 2 y hoja Final
 Mechanization of 2nd sheet & final sheet
 Mécanisation de panneau 2 et panneau finale

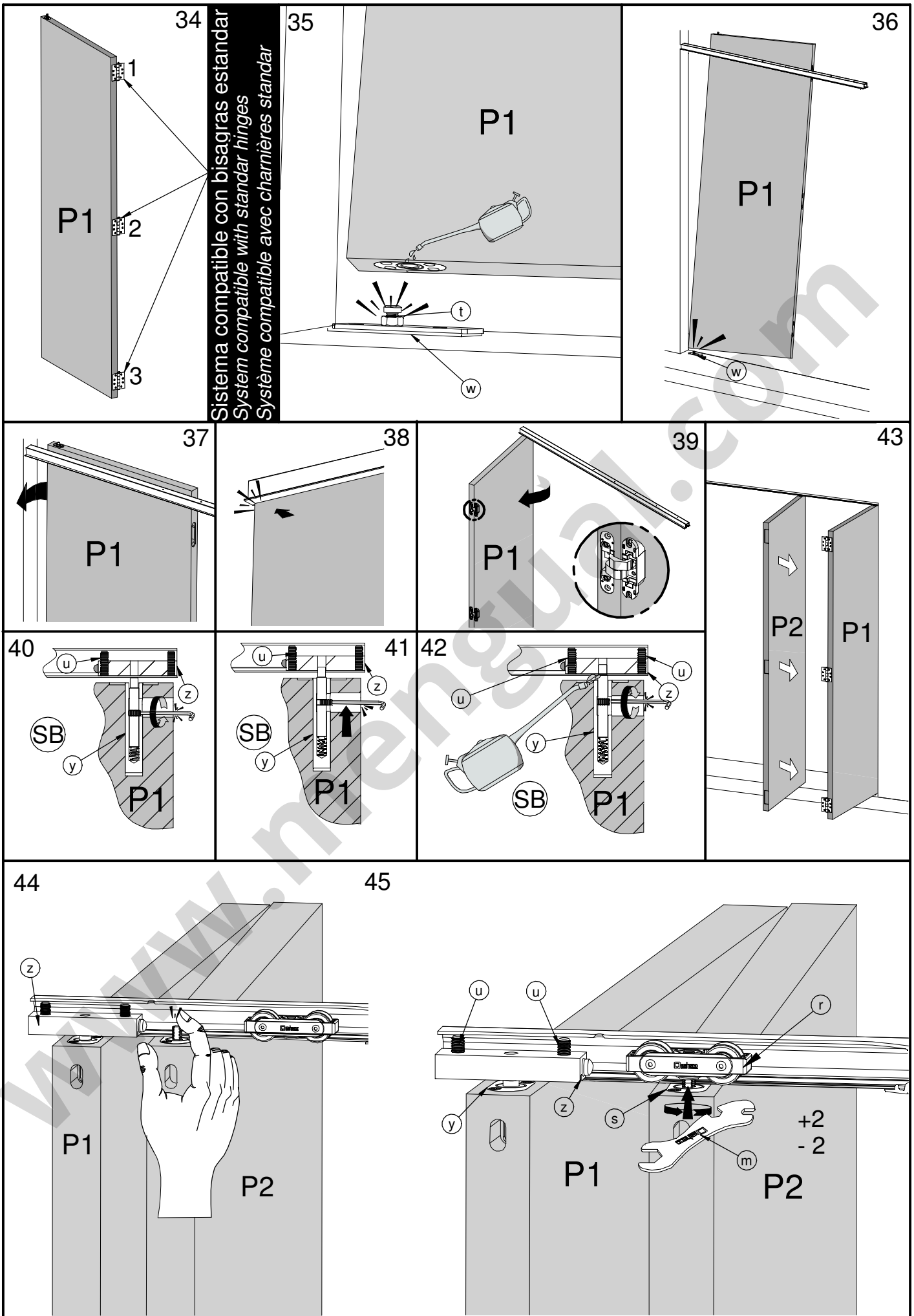


Mecanizado Soporte Inferior
Mechanization of Lower support
Mécánisation du Support inférieur

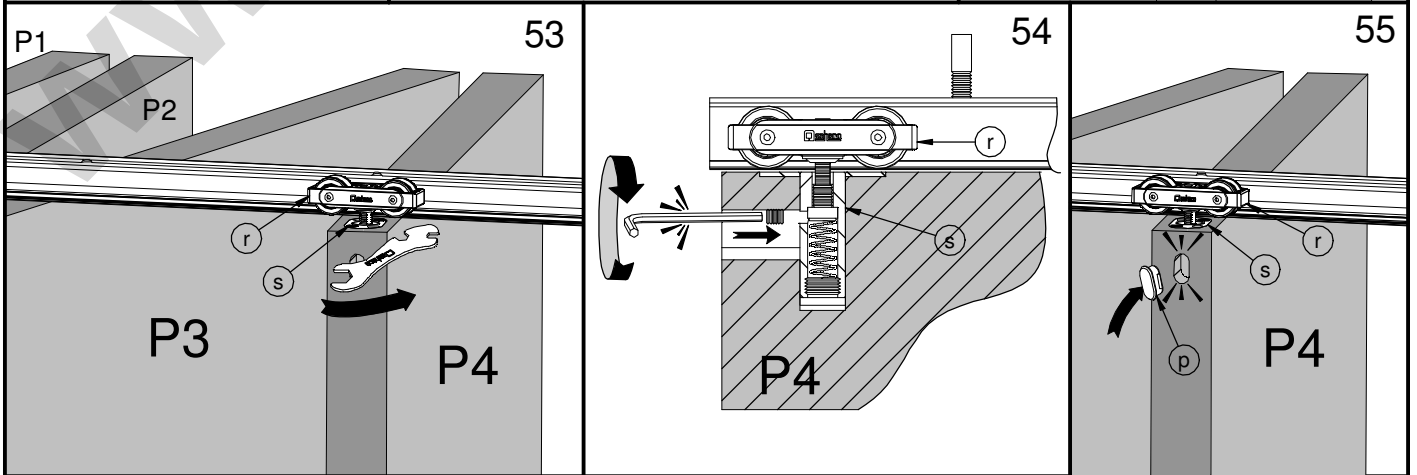
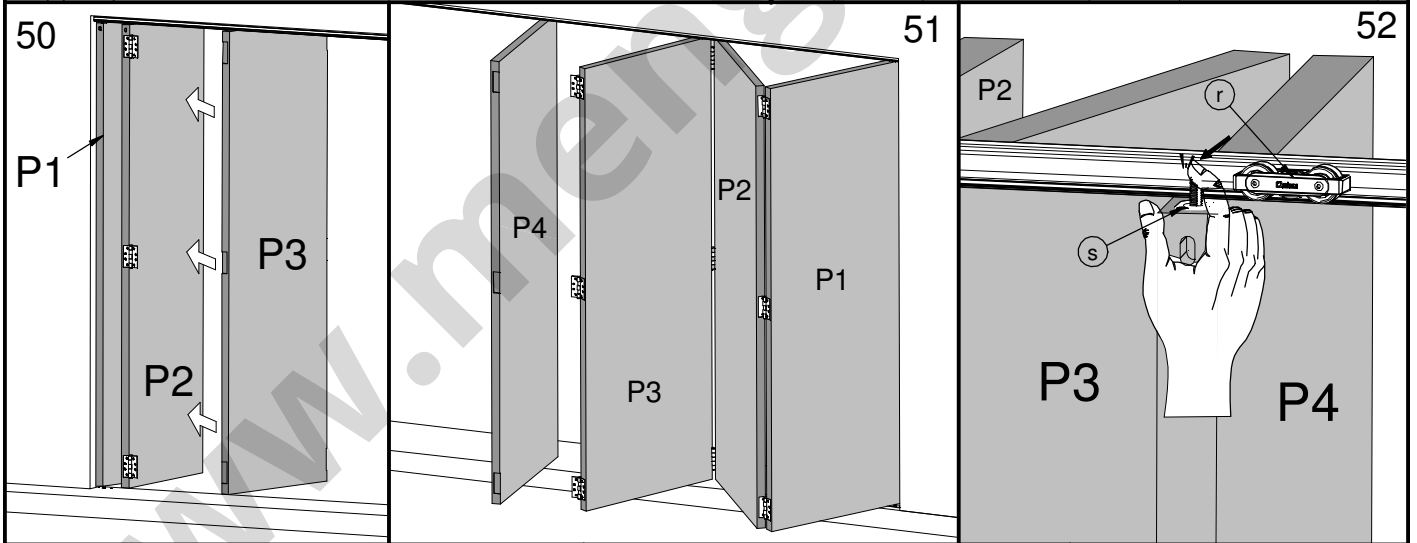
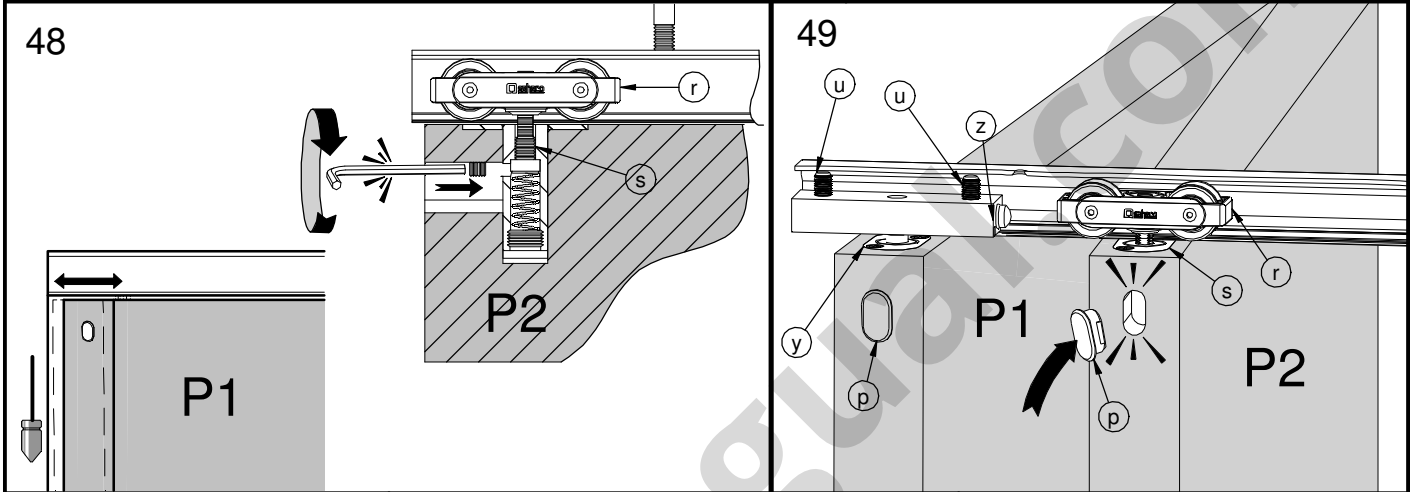
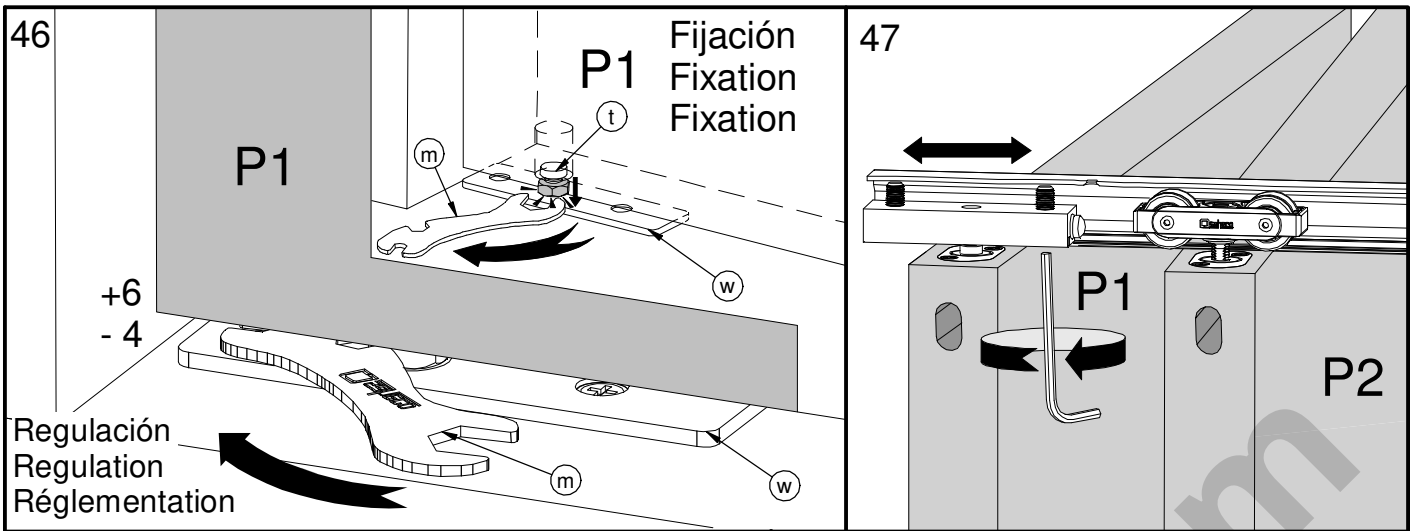


Medida "S" viñeta número 2
Measure "S" frame number 2
Mesure "S" illustration nombre 2

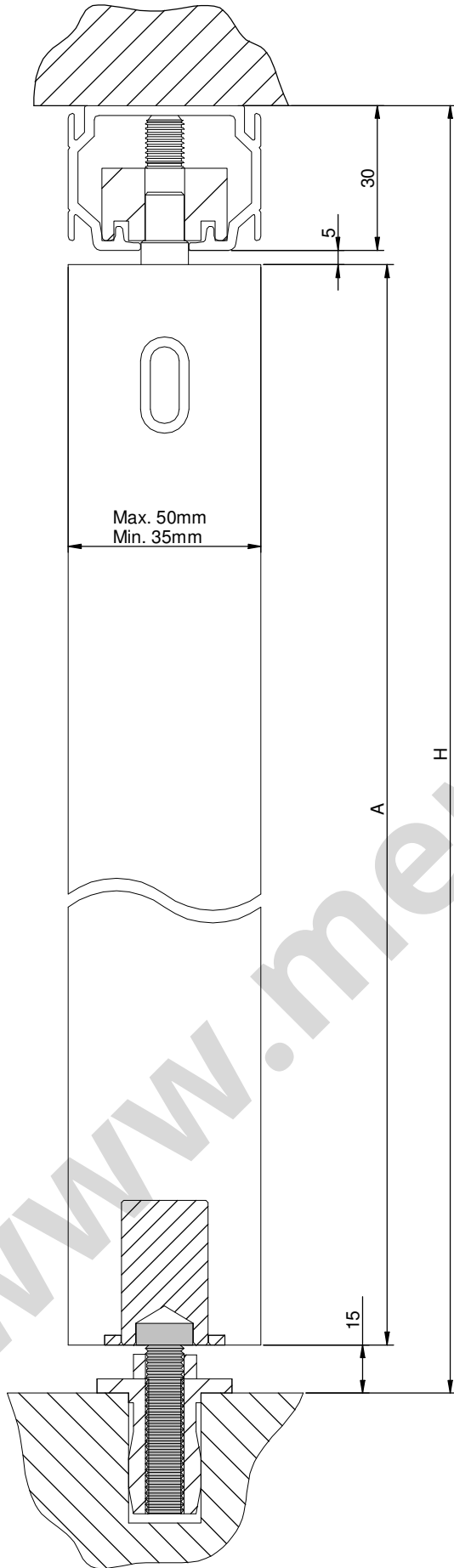




Sistema compatible con bisagras estándar
 System compatible with standar hinges
 Système compatible avec charnières standar



56



$$A = H - 50$$

Max. 750mm
 Max. 2400 mm
 MAX 80kg
 40Kg. x panel

L
 P
 "S" Min. 6mm
 Min. 3mm
 Min. 6mm "S"

"C"	"S"
35-40	6mm
40-45	7mm
45-50	8mm

$$P = \frac{L - (2 \times S) - 9}{4}$$

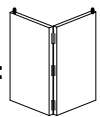
L = Ancho de luz total / Overall width / Lagueur total
 P = Ancho de la hoja / Leaf width / Large Feuilles

VARIANTES DE INSTALACIÓN

INSTALLATION VARIANTS
VARIANTS DE MONTAGE

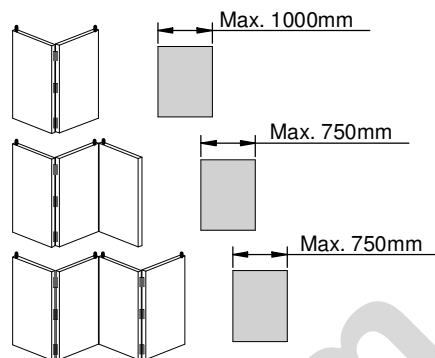
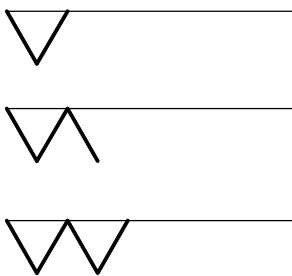
FORMULARIOS PARA SISTEMAS

SYSTEMS FORMULARYS
FORMULAIRES POUR SYSTÈMES



40Kg. x pannel

35-40	6mm
40-45	7mm
45-50	8mm

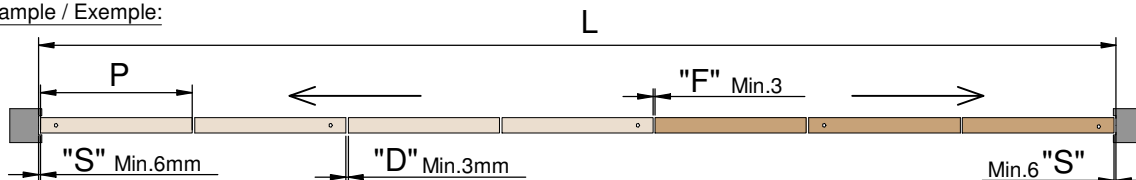


	$P = \frac{L - (2 \times S) - (2 \times D)}{3}$	Max. 750mm
	$P = \frac{L - (2 \times S) - D - F}{3}$	Max. 1000mm
	$P = \frac{L - (2 \times S) - (2 \times D) - F}{4}$	Max. 750mm
	$P = \frac{L - (2 \times S) - (3 \times D) - F}{5}$	Max. 750mm
	$P = \frac{L - (2 \times S) - (4 \times D) - F}{6}$	Max. 750mm
	$P = \frac{L - (2 \times S) - (3 \times D)}{4}$	Max. 750mm
	$P = \frac{L - (2 \times S) - (3 \times D) - F}{5}$	Max. 750mm
	$P = \frac{L - (2 \times S) - (4 \times D) - F}{6}$	Max. 750mm
	$P = \frac{L - (2 \times S) - (5 \times D) - F}{7}$	Max. 750mm
	$P = \frac{L - (2 \times S) - (6 \times D) - F}{8}$	Max. 750mm

L = Ancho de luz total / Overall width / Lagueur total
P = Ancho de la hoja / Leaf width / Large Feuilles
F = Franquicia central / Central Gap / Franchise central

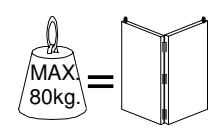
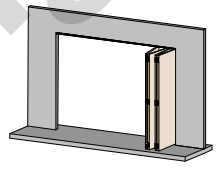
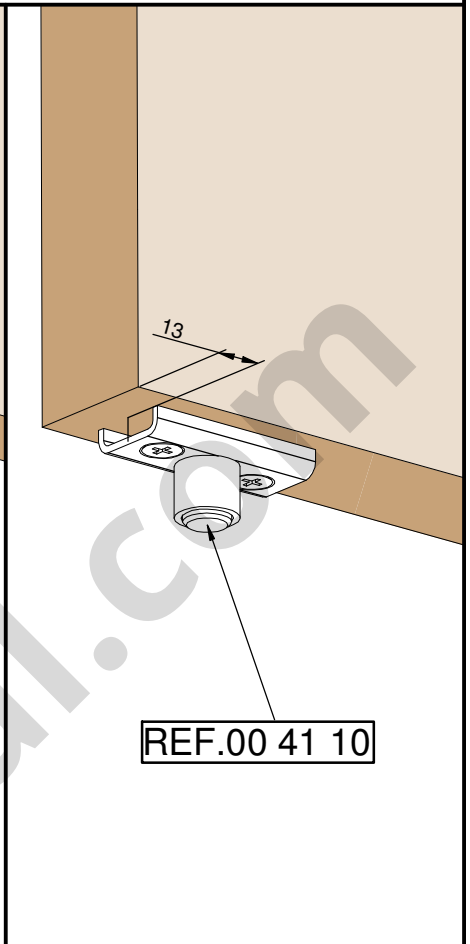
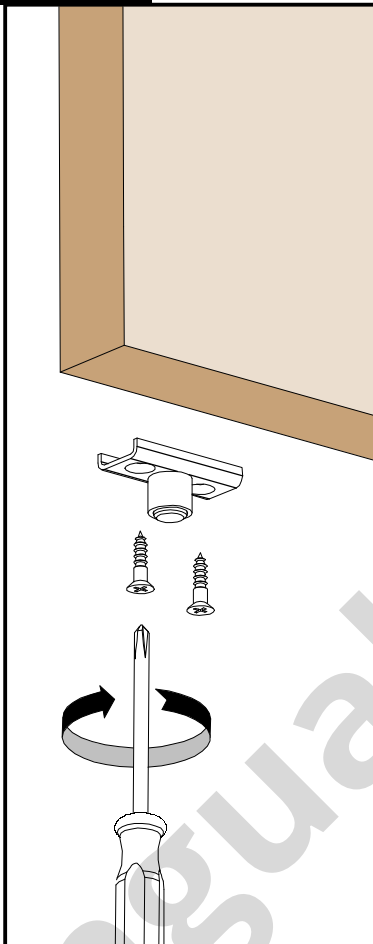
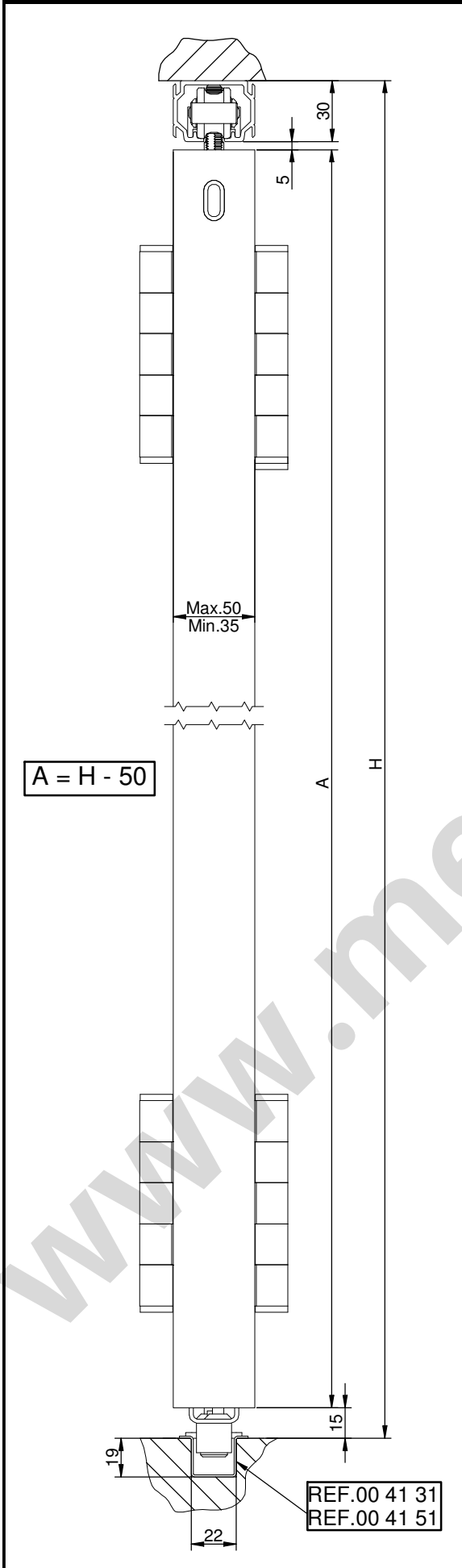
D = Separación bisagras / Hinges Separation / Separation charniere
S = Franquicia inicial / Initial Gap / Franchise initiale

Ejemplo / Example / Exemple:



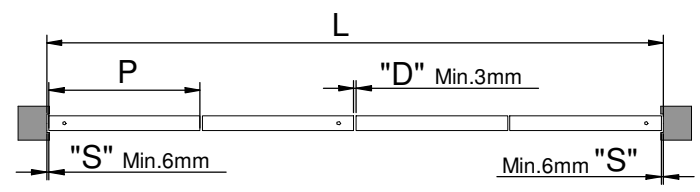
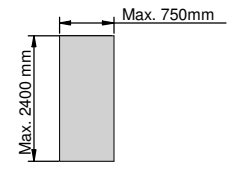
VARIANTES DE INSTALACIÓN
INSTALLATION VARIANTS
VARIANTES DE MONTAJE

* Variante con guidor inferior / Variant with lower guide /
 Variant avec guide inferieur



40Kg. x pannel

"C"	"S"
35-40	6mm
40-45	7mm
45-50	8mm



$$P = \frac{L - (2 \times S) - (3 \times D)}{4}$$

- L = Ancho de luz total / Overall width / Lagueur total
- P = Ancho de la hoja / Leaf width / Large Feuilles
- F = Franquicia central / Central Gap / Franchise central
- D = Separación bisagras / Hinges Separation / Separation charniere
- S = Franquicia inicial / Initial Gap / Franchise initiale