

 **MENGUAL**[®]

K lock



PUSH
CATCHES
AND
MAGNETIC
CATCHES

 **ITALIANA**[®]
ferramenta



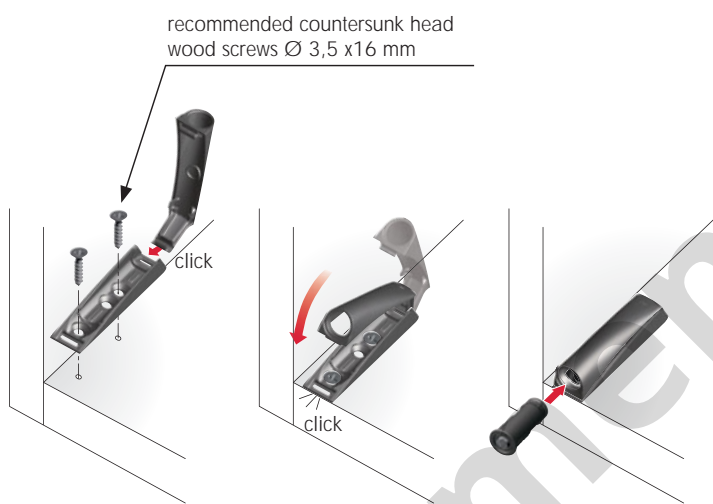


K LOCK

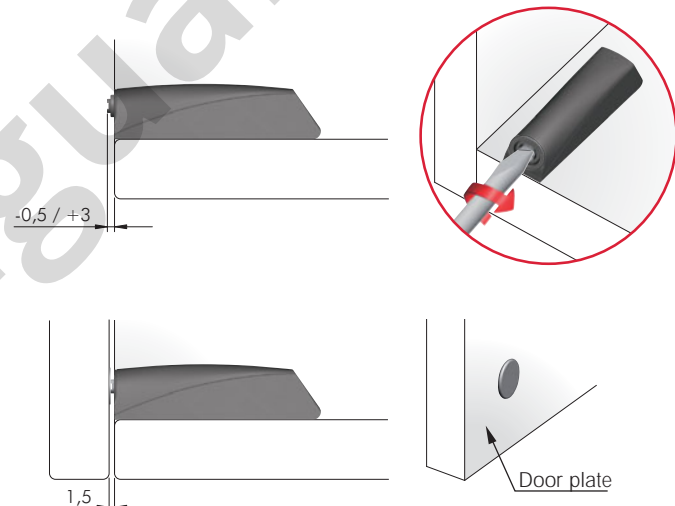


K LOCK is a magnetic system to safely keep the door closed. Suitable for unsprung or Flap/Piano hinges, K LOCK can be either embedded into the panel through a \varnothing 10 mm hole, or installed visible, fixed with adapter housing. K LOCK is available in three colors: white, anthracite and light grey. A 3,5 mm adjustment can be carried out by using a 1,2x6,5 mm blade screwdriver.

INSTALLATION THROUGH ADAPTER HOUSING

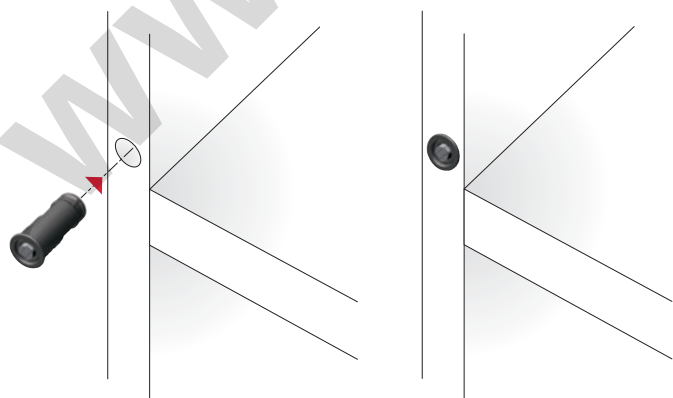


ADJUSTMENT



For details refer to "K PUSH TECH AND K LOCK DOOR PLATES".

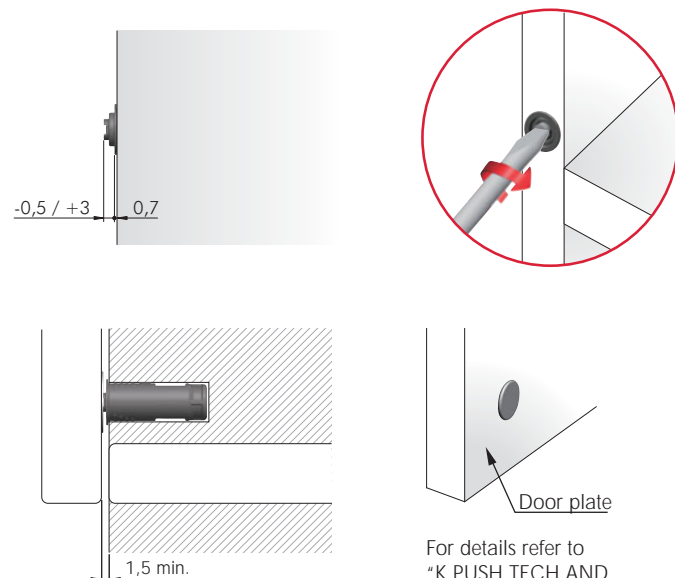
INSTALLATION TO BE EMBEDDED INSIDE THE PANEL



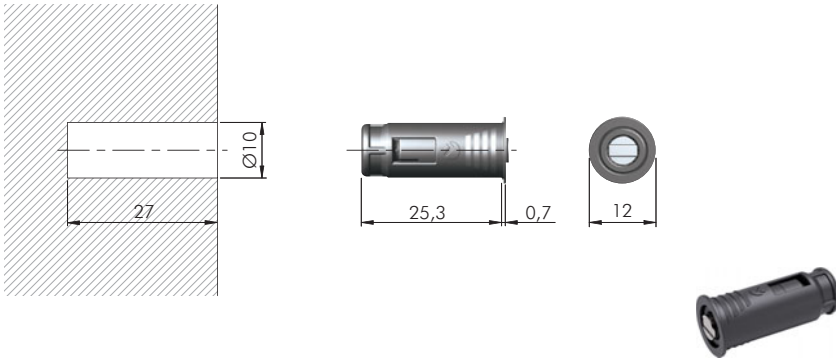
ATTENTION:

In case glue is added, make sure the quantity is carefully dosed, so that it doesn't reach the inner part of the mechanism, thus blocking the adjustment.

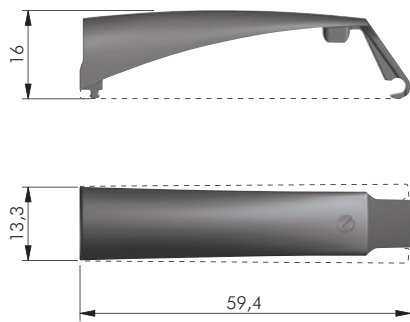
ADJUSTMENT



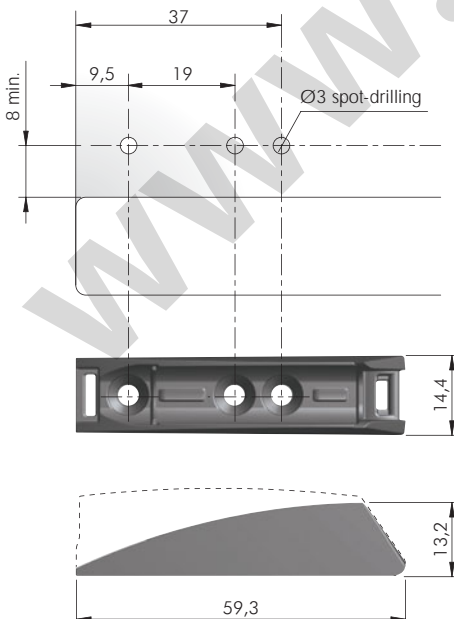
For details refer to "K PUSH TECH AND K LOCK DOOR PLATES".



	ST	EP	= 100 pcs.
	55007010EE		
	55007010IJ		
	55007010AB		



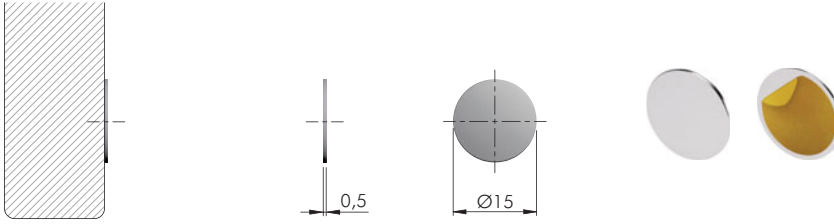
EP	= 100 pcs.
	57015020EE
	57015020IJ
	57015020AB



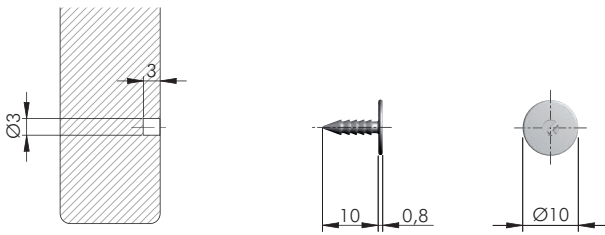
	= Ø 3 mm	
EP	= 100 pcs.	
	57015040EE	
	57015040IJ	
	57015040AB	







K PUSH TECH AND K LOCK DOOR PLATES



		 = 100 pcs.
ST		
		
55006160XD		



	= Ø 3 mm	 = 100 pcs.
ST		
		
55006030YA		

www.mengual.com