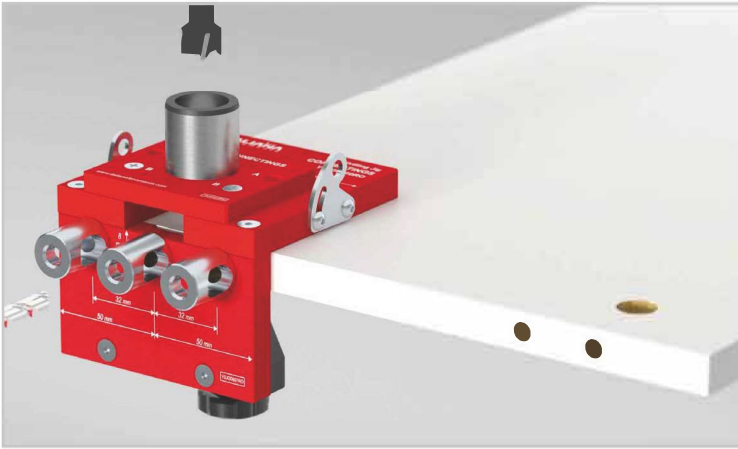
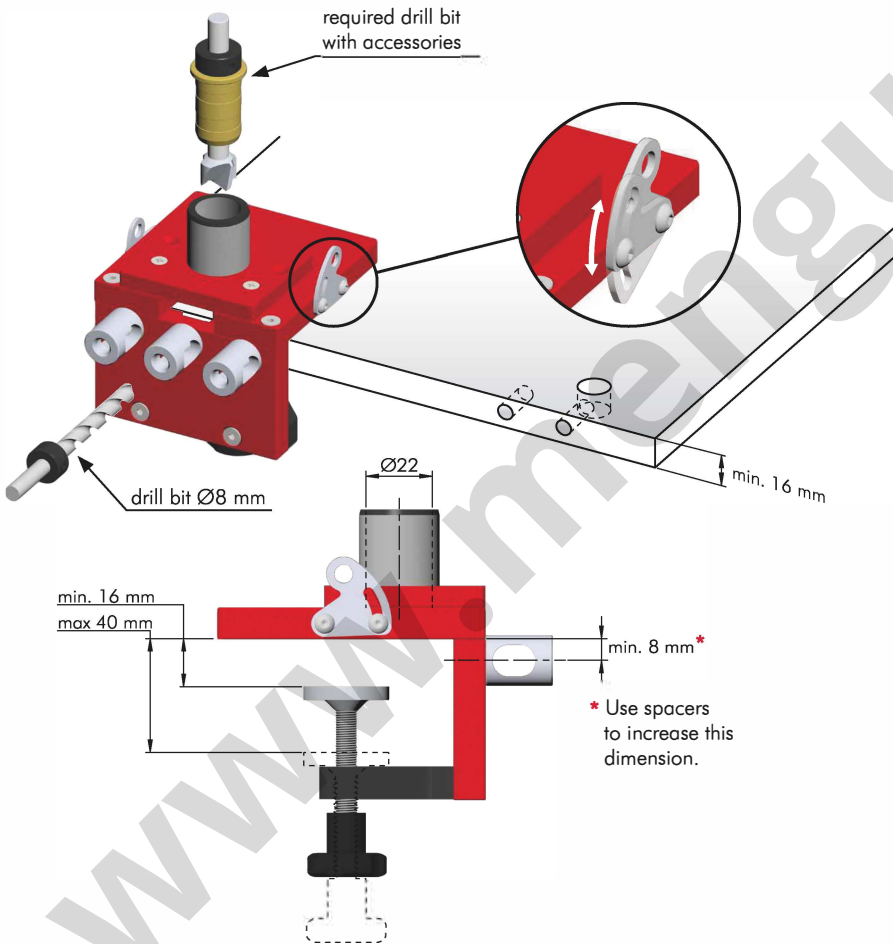




DRILLING JIG FOR CONNECTINGS

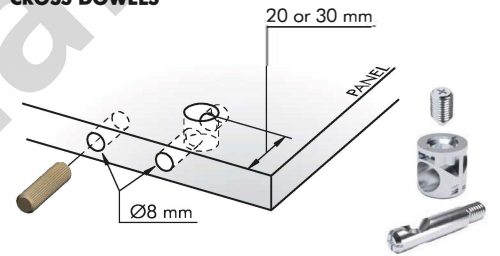


GENERAL SPECIFICATIONS

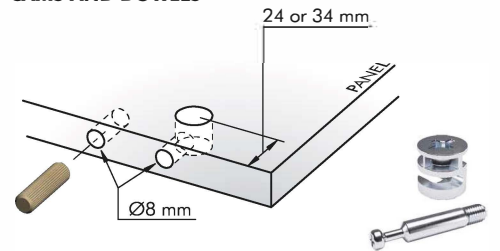


16 mm min.

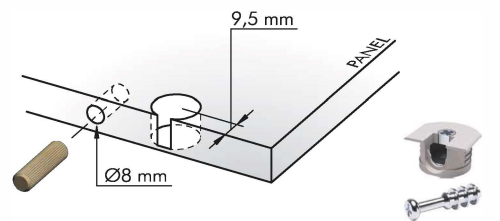
CROSS DOWELS



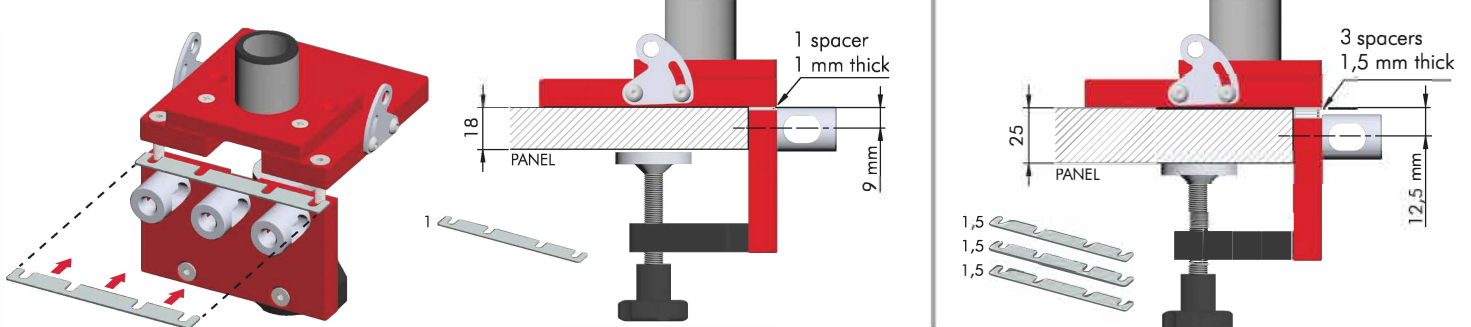
CAMS AND DOWELS



CONNECTING Ø20 mm

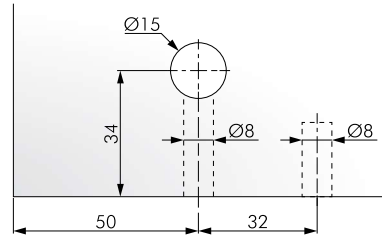
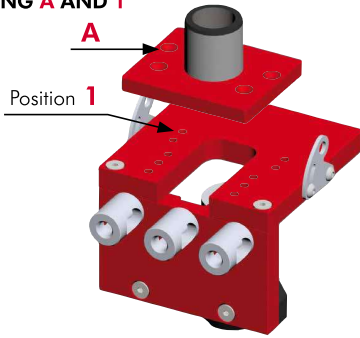


DRILLING JIG SPACERS FOR DIFFERENT PANEL THICKNESSES



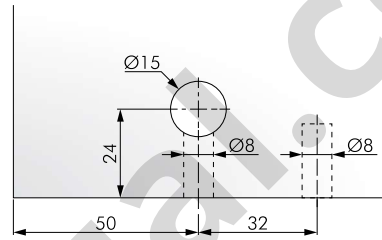
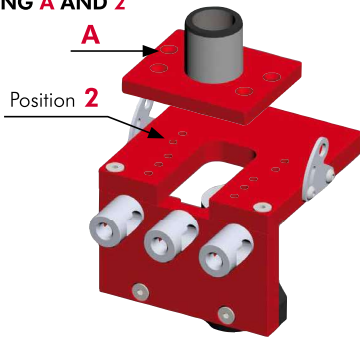


SETTING A AND 1



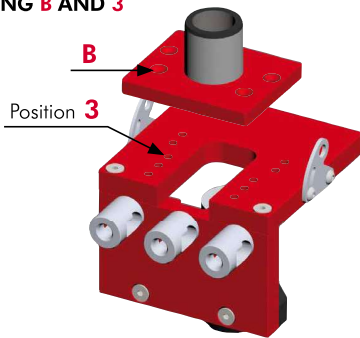
TO BE ORDERED SEPARATELY
Drill bit Ø15 mm with accessories
Y0JG063600

SETTING A AND 2

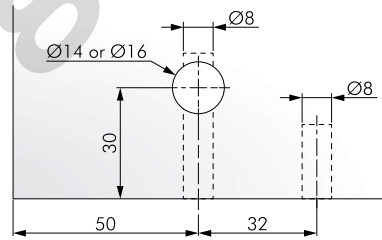


TO BE ORDERED SEPARATELY
Drill bit Ø15 mm with accessories
Y0JG063600

SETTING B AND 3



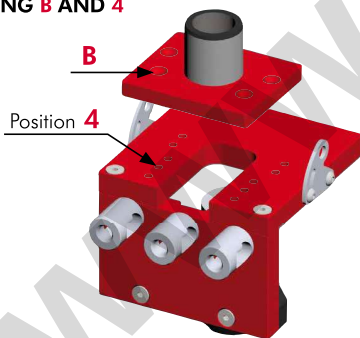
TO BE ORDERED SEPARATELY



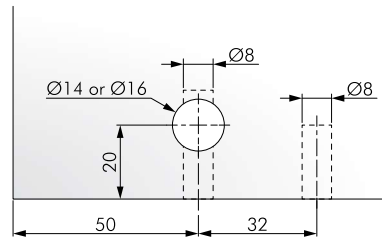
Drill bit Ø14 mm
with accessories
Y0JG063500

Drill bit Ø16 mm
with accessories
Y0JG063700

SETTING B AND 4



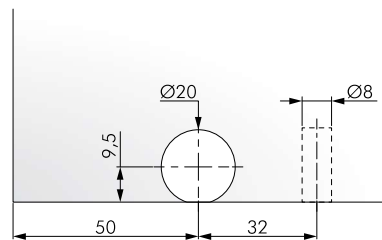
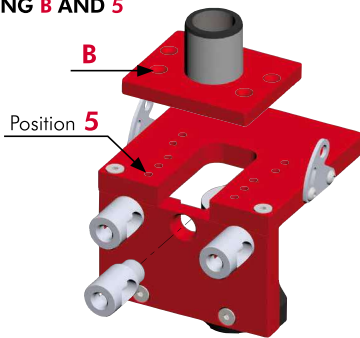
TO BE ORDERED SEPARATELY



Drill bit Ø14 mm
with accessories
Y0JG063500

Drill bit Ø16 mm
with accessories
Y0JG063700

SETTING B AND 5



TO BE ORDERED SEPARATELY
Drill bit Ø20 mm with accessories
Y0JG063900