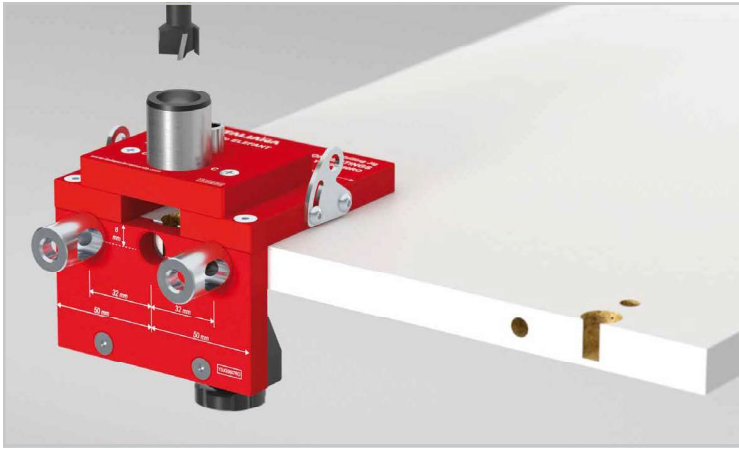


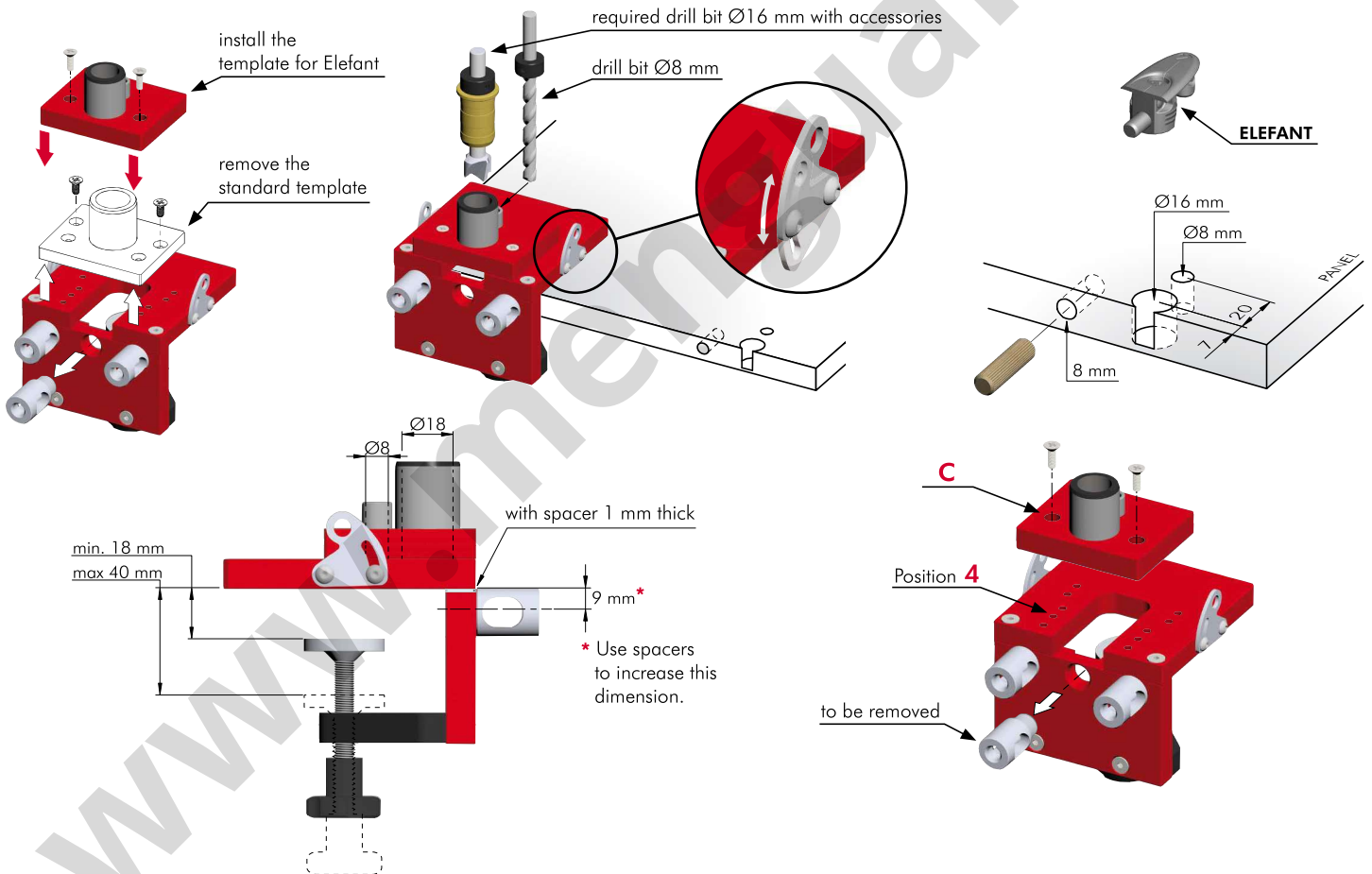


TEMPLATE FOR ELEFANT



18 - 40 mm

GENERAL SPECIFICATIONS



DRILLING JIG SPACERS FOR PANEL THICKNESS 18 mm OR 25 mm

