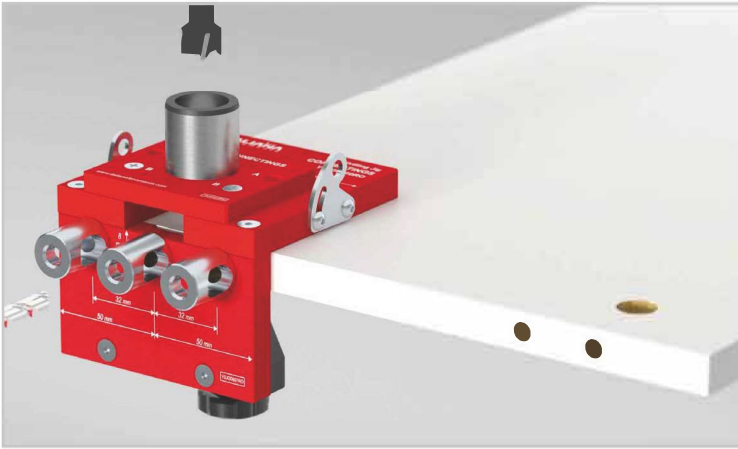
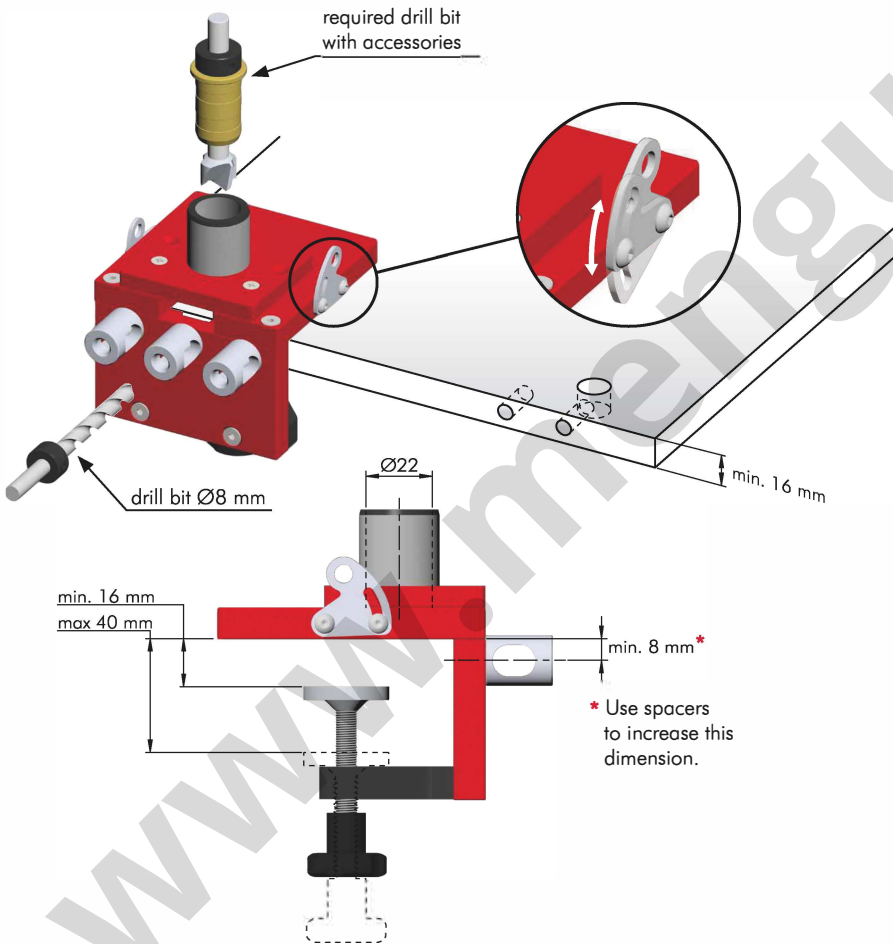




## DRILLING JIG FOR CONNECTINGS

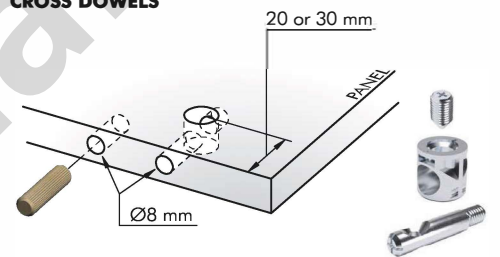


### GENERAL SPECIFICATIONS

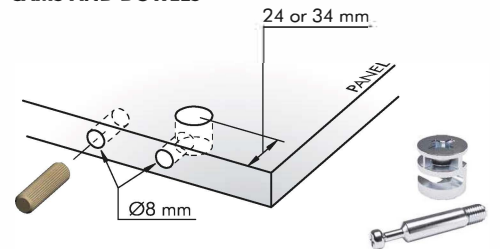


16 mm min.

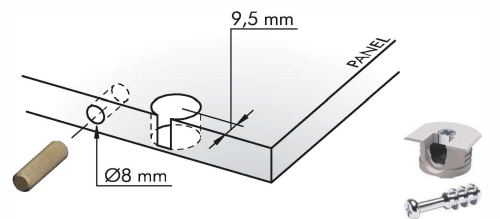
### CROSS DOWELS



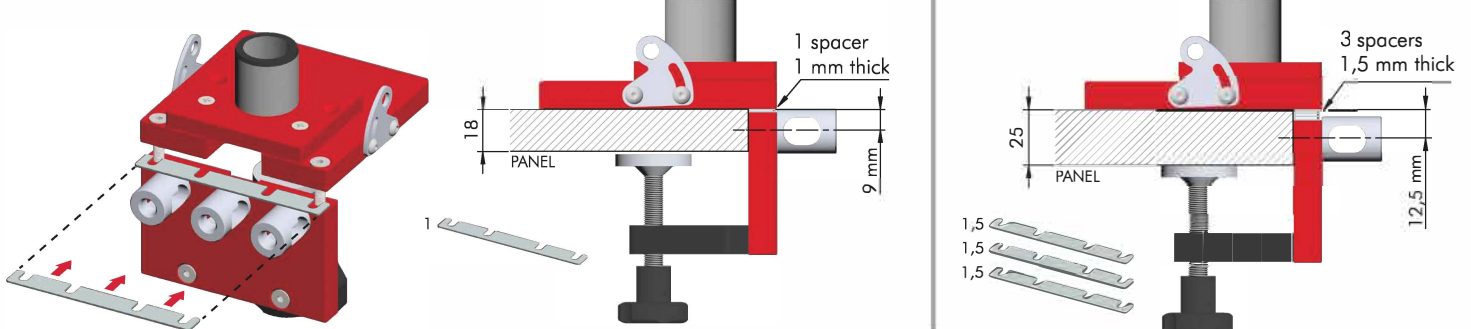
### CAMS AND DOWELS



### CONNECTING Ø20 mm

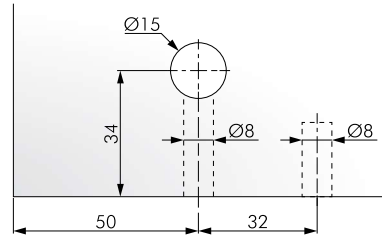
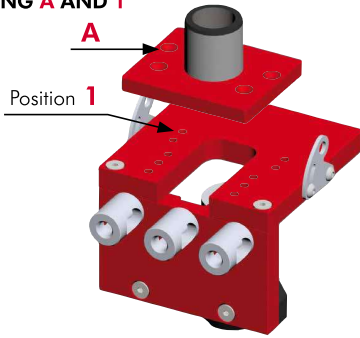


### DRILLING JIG SPACERS FOR DIFFERENT PANEL THICKNESSES



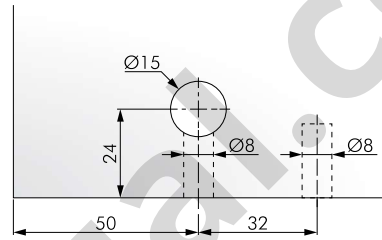
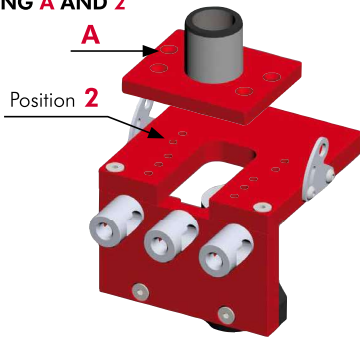


**SETTING A AND 1**



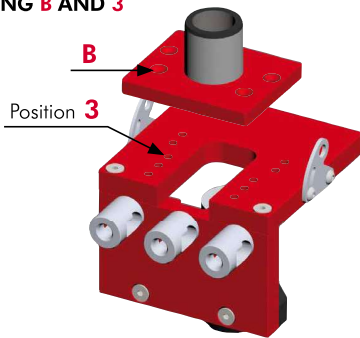
**TO BE ORDERED SEPARATELY**  
Drill bit Ø15 mm with accessories  
**Y0JG063600**

**SETTING A AND 2**

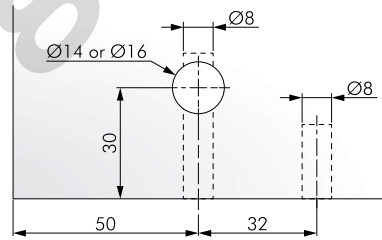


**TO BE ORDERED SEPARATELY**  
Drill bit Ø15 mm with accessories  
**Y0JG063600**

**SETTING B AND 3**



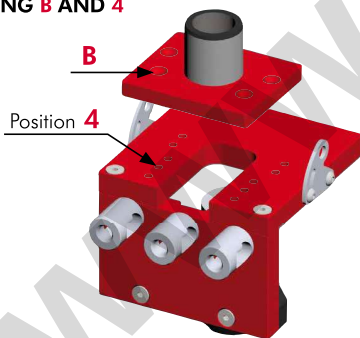
**TO BE ORDERED SEPARATELY**



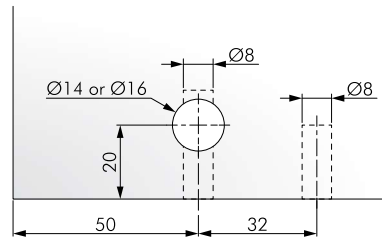
Drill bit Ø14 mm  
with accessories  
**Y0JG063500**

Drill bit Ø16 mm  
with accessories  
**Y0JG063700**

**SETTING B AND 4**



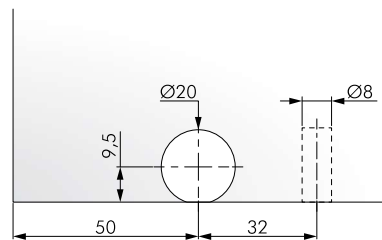
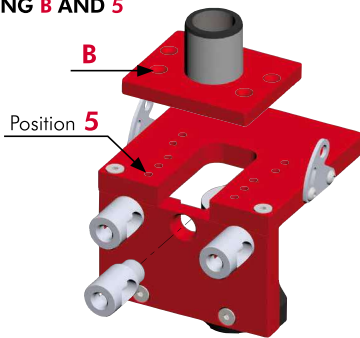
**TO BE ORDERED SEPARATELY**



Drill bit Ø14 mm  
with accessories  
**Y0JG063500**

Drill bit Ø16 mm  
with accessories  
**Y0JG063700**

**SETTING B AND 5**



**TO BE ORDERED SEPARATELY**  
Drill bit Ø20 mm with accessories  
**Y0JG063900**