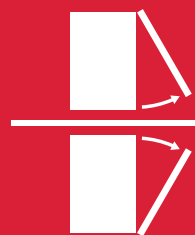




[www.mengual.com](http://www.mengual.com)

# K12 System & K12 System ADJ



OPENING  
SYSTEMS  
FOR FLAP  
AND DROP  
DOWN  
DOORS



# SYMBOLS AND FINISHES LEGEND

## SYMBOLS



= SHELF SAFELY LOCKED DURING TRANSPORTATION AND AT HOME.



= ANTI-TURNOVER LOCKING SYSTEM



= NORMS / PATENTS



= PHILLIPS / POZIDRIV



= NEWTON



= PART.NO



= HEXAGONAL SOCKET



= FRICTION



= PCS. PER PACKAGE



= BLADE SLOT



= AUTOMATIC



= COMBI SLOT



= DROP DOWN



= CAPACITY LOADING



= COUNTERSUNK HEAD



= WOOD / GLASS THICKNESS



= PAN HEAD



= STANDARD HINGE



= HOLE DIAMETER



= FLANGE HEAD



= KIMANA HINGE



= DIAMETER



= FLAT HEAD



= FLAP HINGE



= LENGTH



= TRILOBULAR SCREW



= WITH SPRING



= HEIGHT



= SELF-TAPPING SCREW



= WITHOUT SPRING



= RIGHT VERSION



= EURO THREAD



= REVERSED SPRING



= LEFT VERSION



= METRIC THREAD



= SETTING CODE



= PRE-INSERTED SCREW



= FOR ROUND TUBE



= PCS. PER PAD



= PRE-INSERTED SCREW AND SPREADING BUSH



= FOR OVAL TUBE



= CUT ON REQUEST



= WITH BUFFER



= SELF ADHESIVE



= WITH MAGNET



= WITH FLANGE

NOTE: Printing errors and omissions may exist despite our best efforts to ensure accuracy. We reserve the right to alter specifications without notice.

## MATERIALS

<b>ZA</b> = Zinc Alloy	<b>ST</b> = Steel	<b>HSS</b> = High Speed Steel	<b>BR</b> = Brass	<b>ABS</b> = Acrylonitrile Butadiene Styrene
<b>ZAnk</b> = Nickel-plated Zinc Alloy	<b>STzk</b> = Zinc-plated Steel	<b>AL</b> = Aluminium	<b>WD</b> = Wood	<b>EVA</b> = Ethylene Vinyl Acetate
<b>EP</b> = <b>ENGINEERING PLASTIC</b>	+ <b>EP</b> = other engineering plastic available on request		<b>SR</b> = <b>SOFT RUBBER</b>	+ <b>SR</b> = other soft rubber available on request

<b>EPn</b> = Natural Engineering Plastic	<b>EPc</b> = Clear Engineering Plastic	<b>SRn</b> = Natural Soft Rubber
<b>EPw</b> = White Engineering Plastic	<b>EPg</b> = Grey Engineering Plastic	<b>SRw</b> = White Soft Rubber
<b>EPwg</b> = Water Green Engineering Plastic		<b>SRb</b> = Black Soft Rubber

 **FINISHES** +  = OTHER FINISHES AVAILABLE ON REQUEST

PART. NO	FINISHES	PART. NO	FINISHES	PART. NO	FINISHES
AA	Natural	IJ	Light Grey	RO	Red
AB	White	IL	Grey 20	PZ	Beech
AC	Opal White	IN	Grey met. 26	QB	Walnut
AE	White 9010	JB	Bright Aluminium	QA	Maple
AK	Champagne	JC	Aluminium - Chrome	UT	T-Met 9007
AL	Ivory	JD	Matt Aluminium	UZ	T-Met
EA	Black	JE	Satin-finished Aluminium	WA	Bronzed
EB	Glossy Black	JF	Aluminium - Brass	WI	Burnished
EC	Matt Black	JG	Aluminium 5	XD	Satin-finished Steel
EE	Anthracite	JL	Aluminium PE 11	YA	Nickel-plated
EW	Grey 9007	JM	Aluminium RAL 9006	YB	Bright Nickel-plated
FU	Gunmetal	KA	Chrome	YC	Matt Nickel-plated
FV	Gunmetal V52	KB	Bright Chrome	YD	Satin-finished Nickel-plated
GR	Raw	KC	Matt Chrome	YQ	Black Nickel
HA	Brass-Plated	MA	Brown	Z9	Black Zinc
HH	Tropicalized	MB	Light Brown 1	ZA	Zinc alloy
HL	Raw Brass	NN	Metallic Beige	ZN	Zinc-plated
HX	Graphite	NO	Beige	ZQ	Bright Gold
IA	Grey	OA	Oak	ZY	Titanium
IB	Metallic Grey	OZ	Ash	ZZ	Clear
IF	Middle Grey	PA	Light Ash	00	Insignificant finish



## K12 SYSTEM LIFT UP

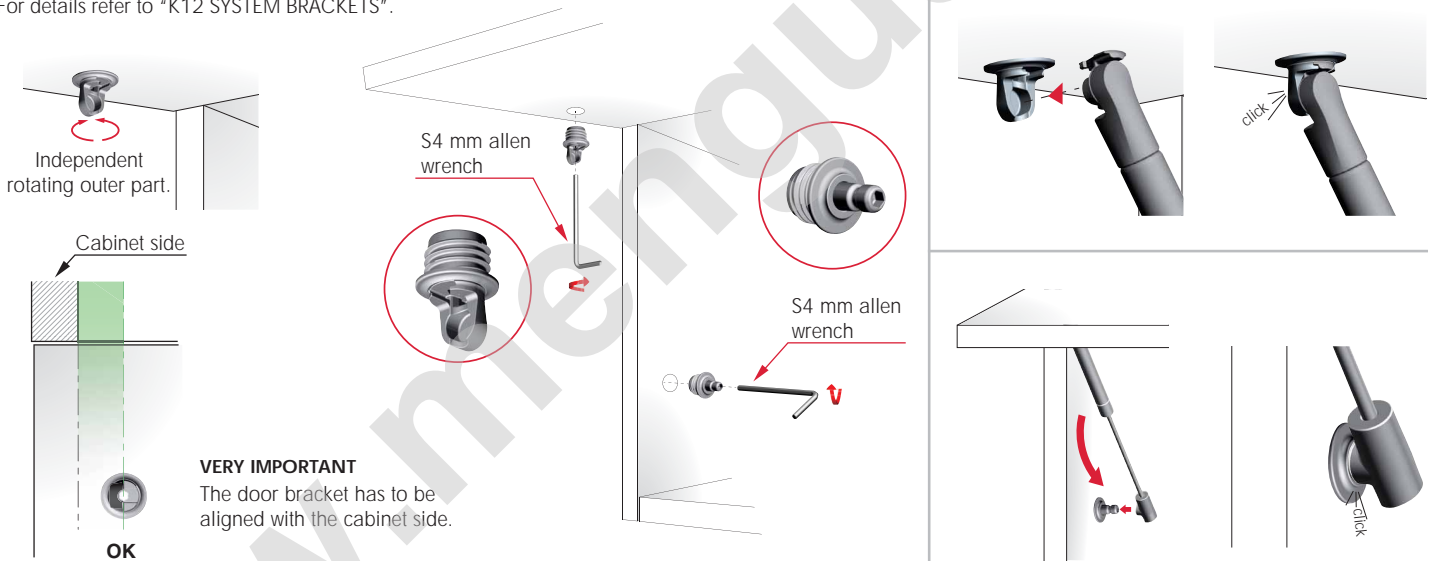


REGISTERED DESIGN  
EN 15828/2010



### BRACKET Ø15 INSTALLATION

- For details refer to "K12 SYSTEM BRACKETS".



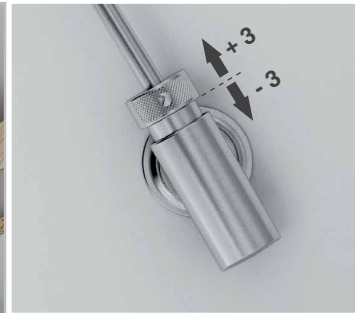
### SCREW FIXING BRACKETS INSTALLATION

- For details refer to "K12 SYSTEM BRACKETS".



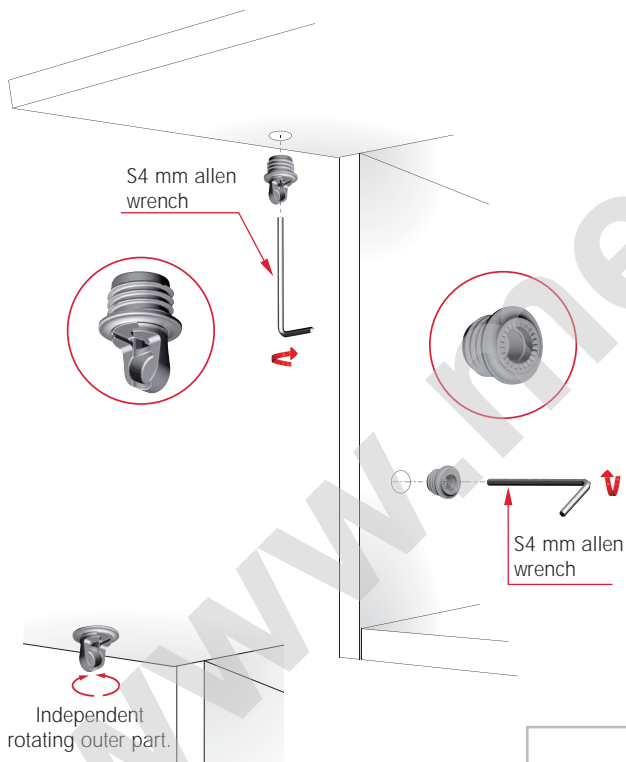


## K12 SYSTEM ADJ LIFT UP

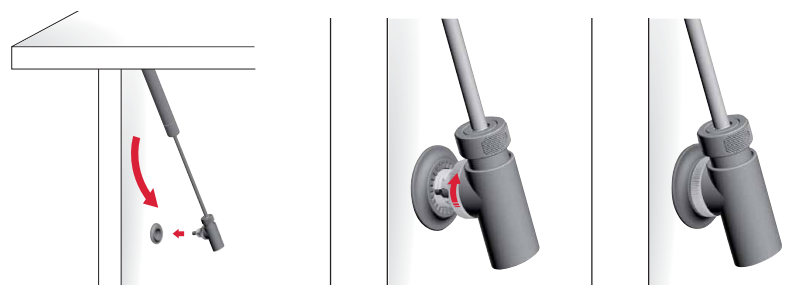


### INSTALLATION

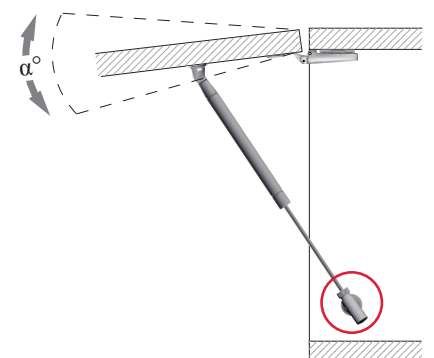
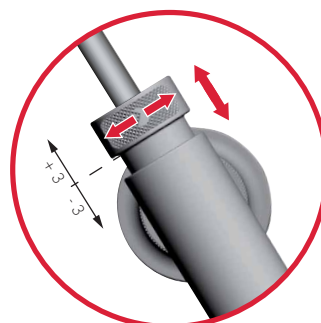
- For details refer to "K12 SYSTEM ADJ BRACKETS".



**LOCKING:** Rotate the plastic knob.



### ADJUSTMENT



### VERY IMPORTANT

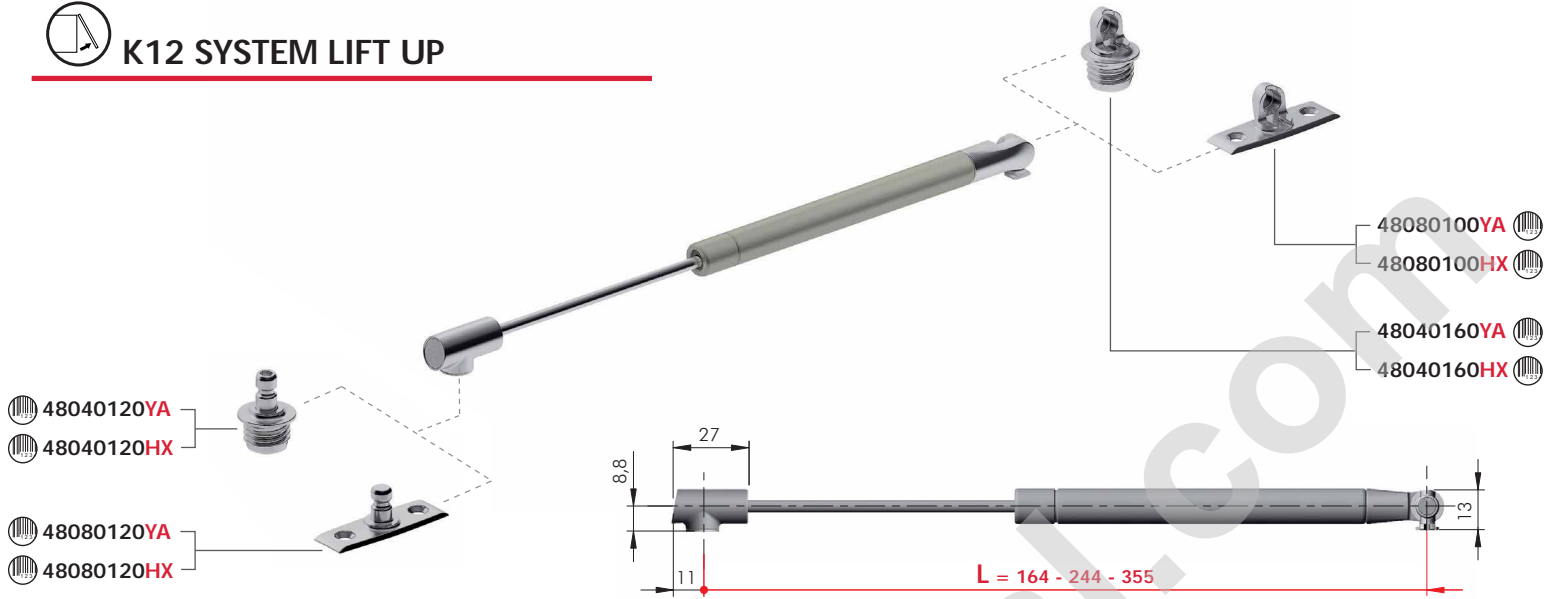
The door bracket has to be aligned with the cabinet side.

OK

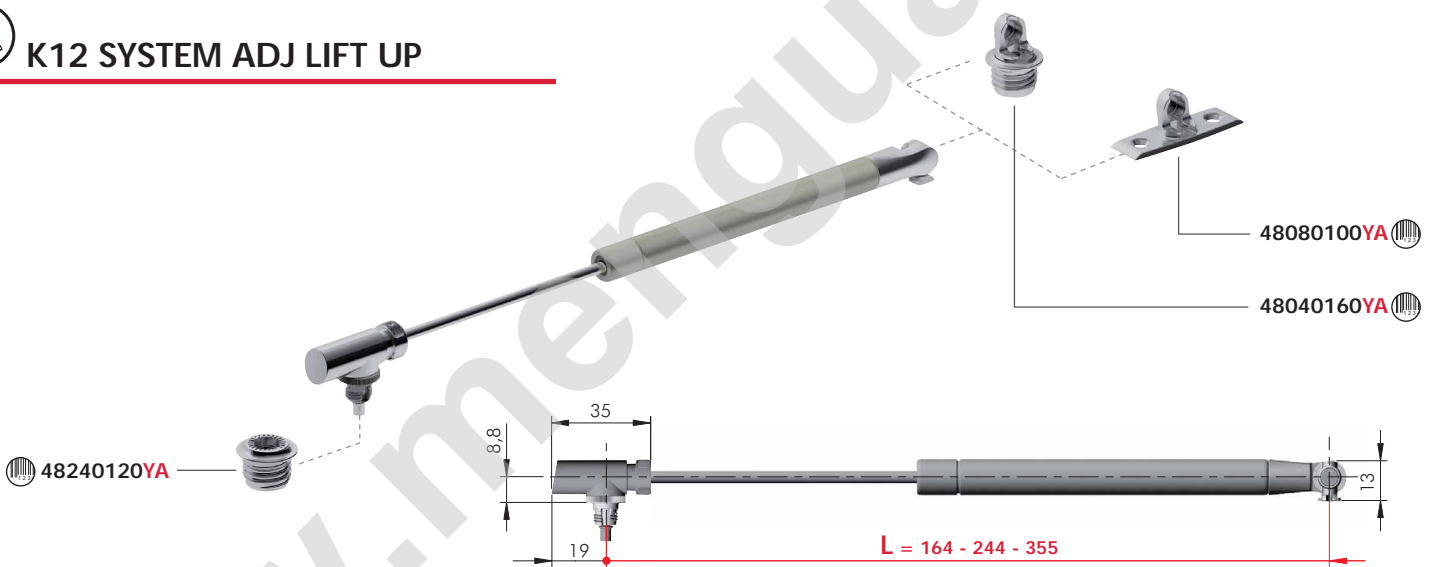
# K12 system & K12 system ADJ



## K12 SYSTEM LIFT UP



## K12 SYSTEM ADJ LIFT UP



ZA EP ST

= 100 pcs. for L. 164 mm  
50 pcs. for L. 244 and 355 mm

L	K12 SYSTEM	K12 SYSTEM ADJ	N
164	48010420UZ	48210420UZ	50
	48010460UZ	48210460UZ	80
	48010500UZ	48210500UZ	100
	48010540UZ	48210540UZ	120

+ Part.no + HX

L	K12 SYSTEM	K12 SYSTEM ADJ	N
244	48020420UZ	48220420UZ	50
	48020460UZ	48220460UZ	80
	48020480UZ	48220480UZ	100
	48020500UZ	48220500UZ	120
	48020540UZ	48220540UZ	140

+ Part.no + HX

L	K12 SYSTEM	K12 SYSTEM ADJ	N
355	48030430UZ	48230430UZ	60
	48030470UZ	48230470UZ	90
	48030490UZ	48230490UZ	110

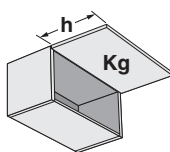
+ Part.no + HX

+ Part.no + HX = K12 System with end parts in graphite finish are available on request.

Further newton strengths available on request.



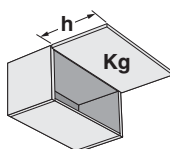
## Number of stays chart - L 164 mm



Rev. 02

h	Door weight (Kg)															
	1	1,5	2	2,5	3	3,5	4	4,5	5	5,5	6	6,5	7	7,5	8	8,5
200 - 224	2x50N		2x80N		2x100N		2x120N		3x120N		4x100N		4x120N			
225 - 274	2x50N		2x80N		2x100N		2x120N		3x120N		4x100N		4x120N			
275 - 300	2x50N		2x80N		2x100N		2x120N		3x100N		3x120N		4x100N		4x120N	

## Number of stays chart - L 244 mm

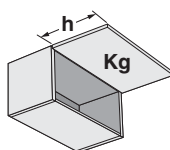


Rev. 02

h	Door weight (Kg)																								
	1	1,5	2	2,5	3	3,5	4	4,5	5	5,5	6	6,5	7	7,5	8	8,5	9	9,5	10	10,5	11	11,5	12	12,5	13
290 - 324	1x50N	1x80N		2x50N		2x80N						2x100N		2x120N		2x140N		2x160N*		2x180N*					
325 - 374	1x50N	1x80N	2x50N		2x80N						2x100N		2x120N		2x140N		2x160N*		2x180N*						
375 - 424	1x50N	1x80N	2x50N		2x80N				2x100N		2x120N		2x140N		2x160N*		2x180N*						3x140N		
425 - 474	1x50N	2x50N		2x80N				2x100N		2x120N		2x140N		2x160N*		2x180N*				3x160N*		3x180N			
475 - 500	1x50N	2x50N		2x80N		2x100N		2x120N		2x140N		2x160N*		2x180N*		3x160N*				3x180N*					

\* Strenghs available on request.

## Number of stays chart - L 355 mm



Rev. 02

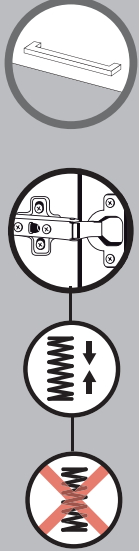
h	Door weight (Kg)																											
	1	1,5	2	2,5	3	3,5	4	4,5	5	5,5	6	6,5	7	7,5	8	8,5	9	9,5	10	10,5	11	11,5	12	12,5	13	13,5		
390 - 424	1x60N		1x90N		2x60N						2x90N						2x110N						3x90N					
425 - 474	1x60N		1x90N		2x60N						2x90N						2x110N						3x90N				3x110N	
475 - 524	1x60N		1x90N		2x60N				2x90N				2x110N				3x90N						3x110N		4x90N			
525 - 574	1x60N		1x90N		2x60N		2x90N				2x110N				3x90N						3x110N				4x90N		4x110N	
575 - 600	1x90N		2x60N		2x90N				2x110N				3x90N						3x110N				4x90N		4x110N			

These are experimental results to be checked by the customer. Our Technical Department is at your disposal to test further cases out of this chart.



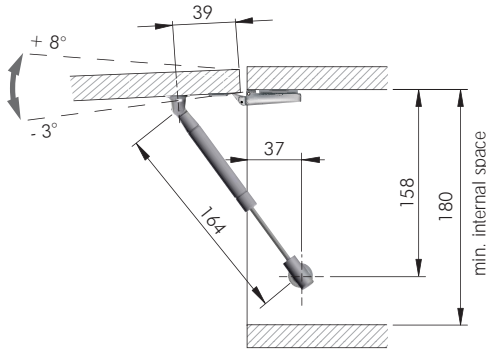


## LIFT UP DRILLING PLANS WITH STANDARD HINGES OPENING WITH HANDLE

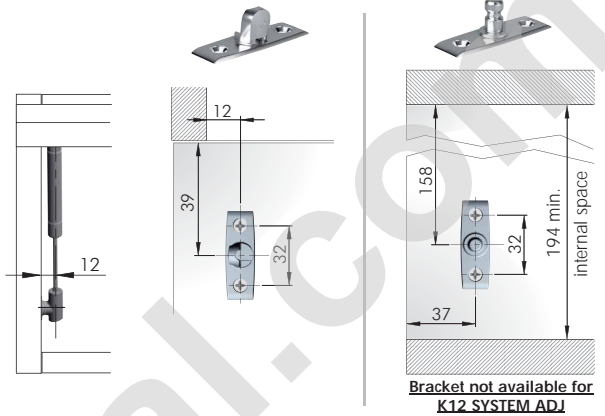


### L 164 mm

Opening angle adjustment is possible only with K12 SYSTEM ADJ version.

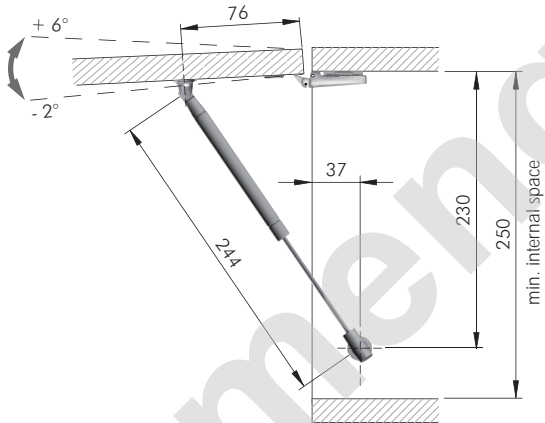


### SCREW FIXING BRACKETS:

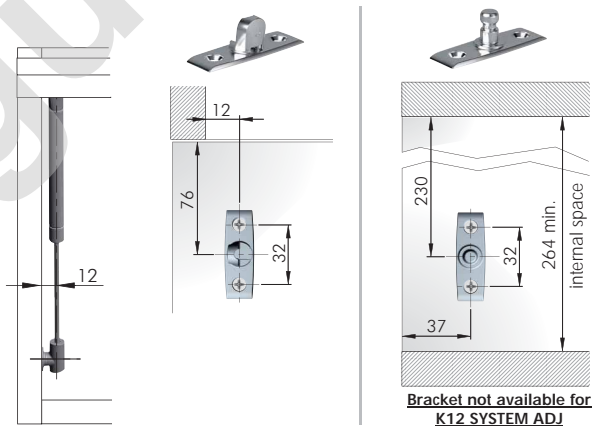


### L 244 mm

Opening angle adjustment is possible only with K12 SYSTEM ADJ version.

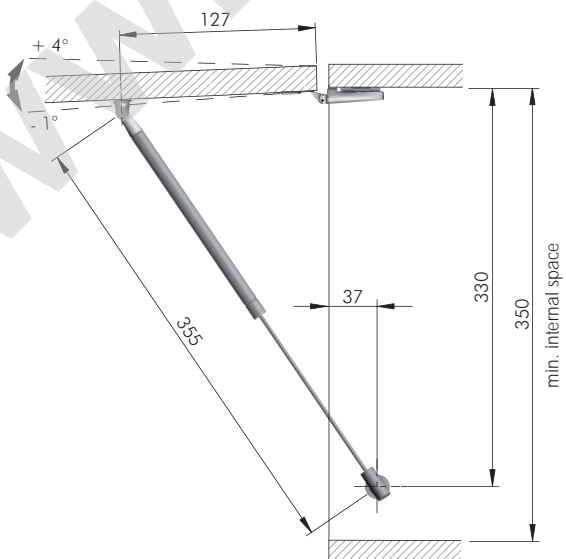


### SCREW FIXING BRACKETS:

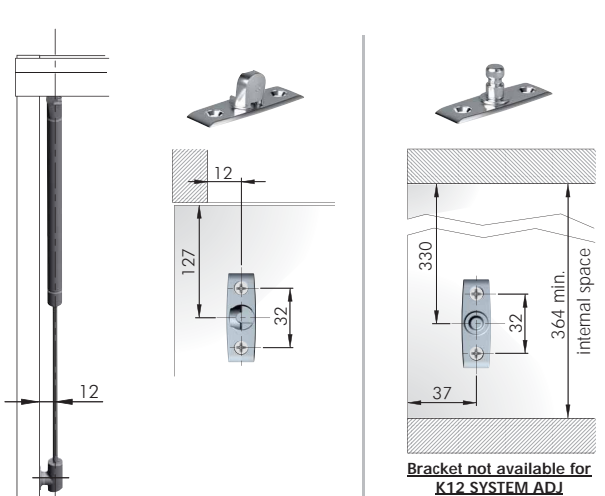


### L 355 mm

Opening angle adjustment is possible only with K12 SYSTEM ADJ



### SCREW FIXING BRACKETS:



The dimensions of the above drilling plans refer to carcasses which use **standard sprung or unsprung hinges** and mounting plates 0 mm. Please note that the opening angle varies with respect to the hinge brand and adjustment carried out.



Please note that in case of use of **unsprung hinges**, **magnet K Lock** is required. For details refer to section "PUSH CATCHES & MAGNETIC CATCHES".



# K12 system & K12 system ADJ

OPENING SYSTEMS FOR FLAP AND DROP DOWN DOORS



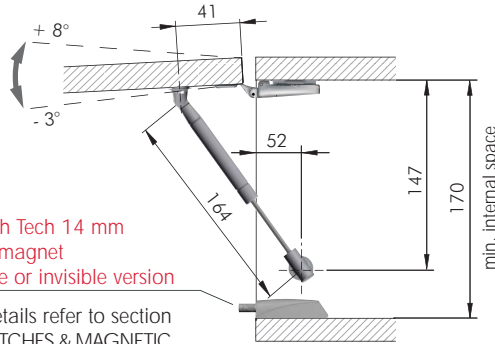
## LIFT UP DRILLING PLANS WITH STANDARD HINGES PUSH TO OPEN

K12 SYSTEM CONFIGURATOR:



L 164 mm

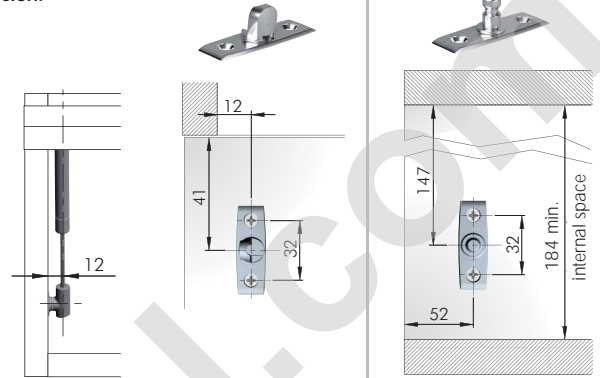
Opening angle adjustment is possible only with K12 SYSTEM ADJ version.



- K Push Tech 14 mm
- With magnet
- Visible or invisible version

For details refer to section "PUSH CATCHES & MAGNETIC CATCHES".

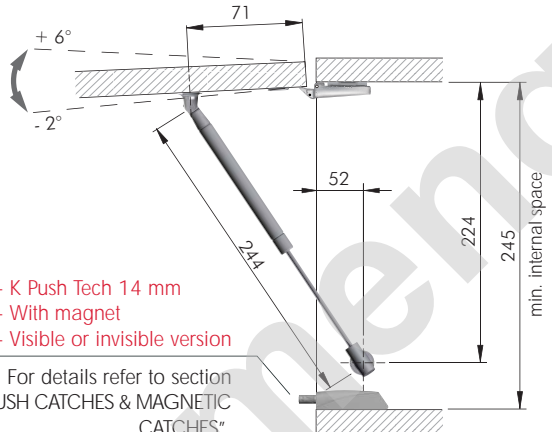
SCREW FIXING BRACKETS:



Bracket not available for K12 SYSTEM ADJ

L 244 mm

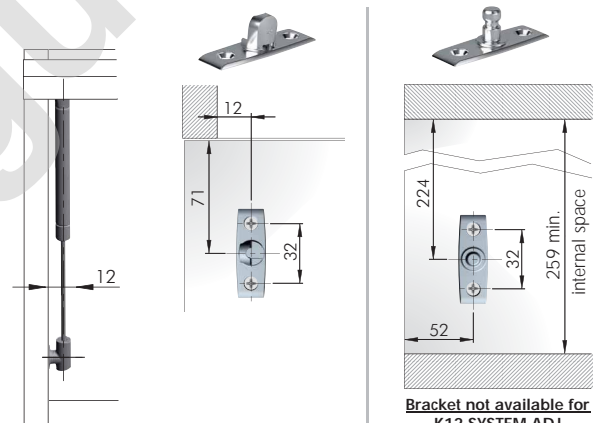
Opening angle adjustment is possible only with K12 SYSTEM ADJ version.



- K Push Tech 14 mm
- With magnet
- Visible or invisible version

For details refer to section "PUSH CATCHES & MAGNETIC CATCHES".

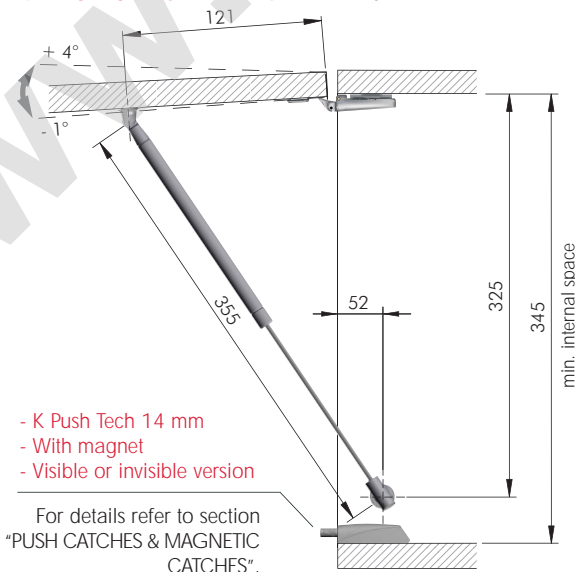
SCREW FIXING BRACKETS:



Bracket not available for K12 SYSTEM ADJ

L 355 mm

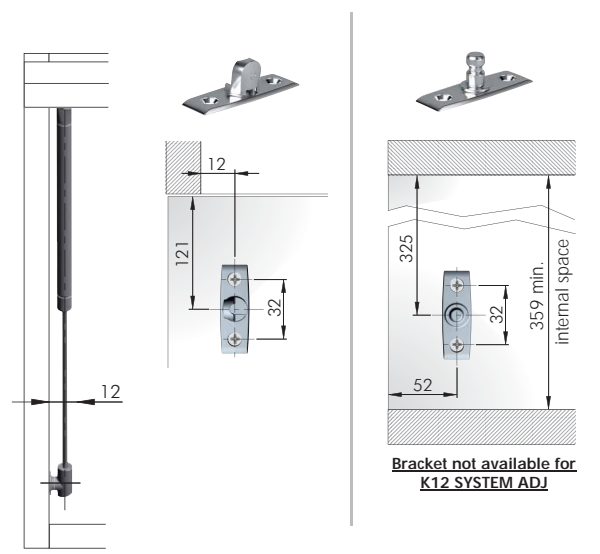
Opening angle adjustment is possible only with K12 SYSTEM ADJ



- K Push Tech 14 mm
- With magnet
- Visible or invisible version

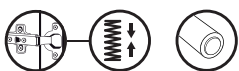
For details refer to section "PUSH CATCHES & MAGNETIC CATCHES".

SCREW FIXING BRACKETS:



Bracket not available for K12 SYSTEM ADJ

The dimensions of the above drilling plan refer to carcasses which use **standard unsprung hinges** and mounting plates 0 mm. Please note that the opening angle varies with respect to the hinge brand and adjustment carried out.



Please note that utilization with **standard sprung hinges** and **K Push Tech with buffer** is also possible. In such case, after the door is initially released by K Push Tech, a manual opening approx. 7cm is required (in order to win the spring resistance). Consequently, the door will automatically open to the fullest. For details refer to section "PUSH CATCHES & MAGNETIC CATCHES".



## K12 SYSTEM DROP DOWN



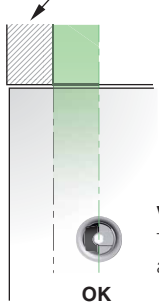
REGISTERED DESIGN • EN 15828/2010 • 

### BRACKET Ø15 INSTALLATION

- For details refer to "K12 SYSTEM BRACKETS".

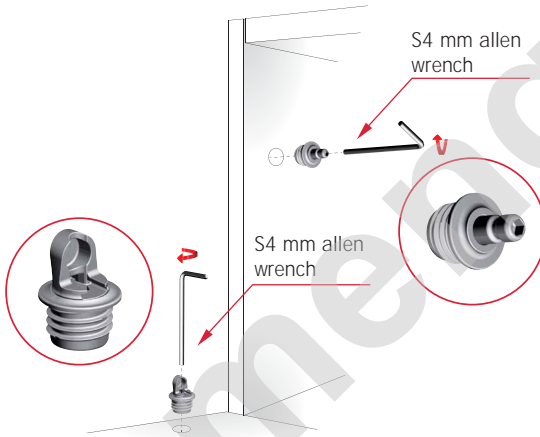


Cabinet side



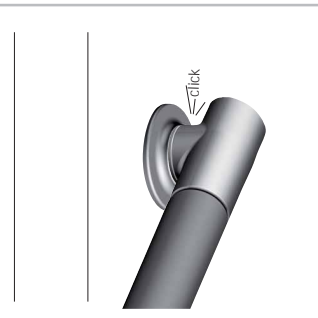
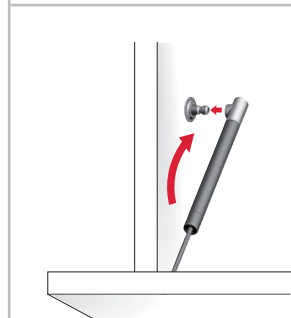
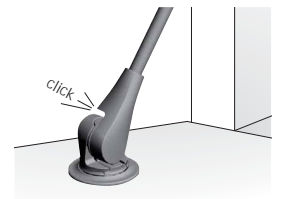
#### VERY IMPORTANT

The door bracket has to be aligned with the cabinet side.



S4 mm allen wrench

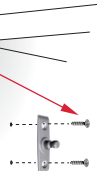
S4 mm allen wrench



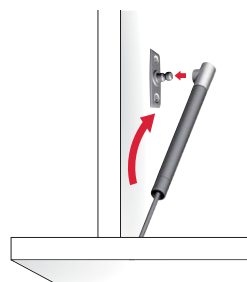
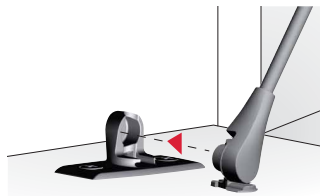
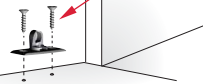
### SCREW FIXING BRACKETS INSTALLATION

- For details refer to "K12 SYSTEM BRACKETS".

recommended fixing countersunk head wood screws Ø3,5x16 mm



recommended fixing countersunk head wood screws Ø3,5x16 mm



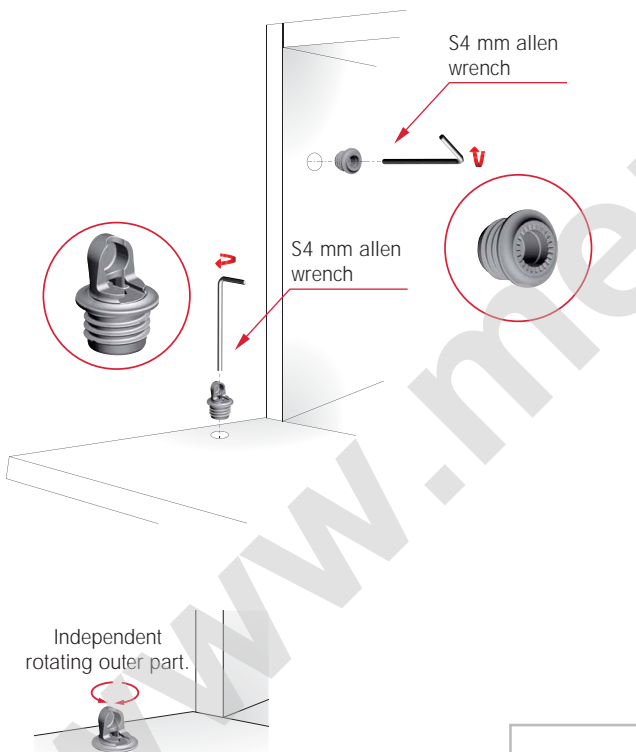


## K12 SYSTEM ADJ DROP DOWN



### BRACKET Ø15 INSTALLATION

- For details refer to "K12 SYSTEM ADJ BRACKETS".



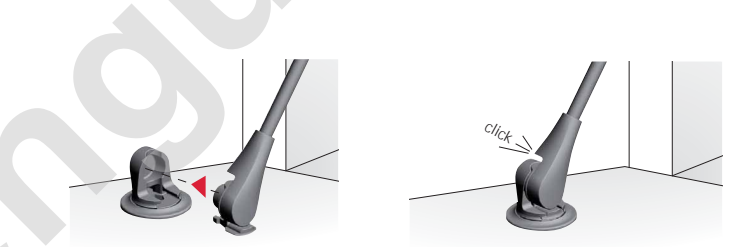
Independent rotating outer part.

Cabinet side

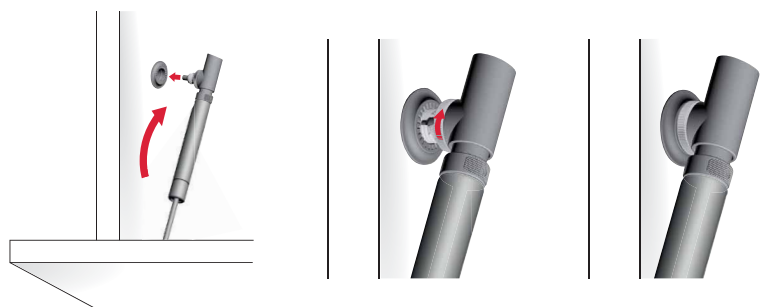
OK

### VERY IMPORTANT

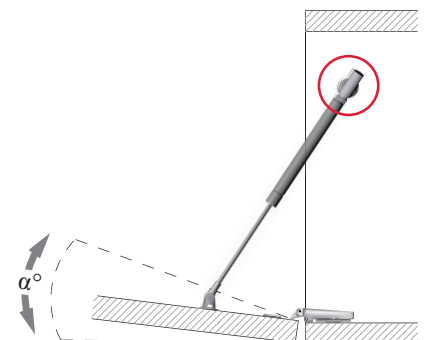
The door bracket has to be aligned with the cabinet side.



**LOCKING:** Rotate the plastic knob.



### ADJUSTMENT



# K12 system & K12 system ADJ

## K12 SYSTEM DROP DOWN



## K12 SYSTEM ADJ DROP DOWN



ZA EP ST

= 100 pcs. for L. 164 mm  
50 pcs. for L. 244 and 355 mm

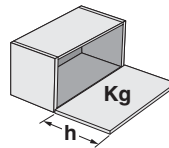
L	K12 SYSTEM	K12 SYSTEM ADJ
164	48050200UZ	48250200UZ
244	48060200UZ	48260200UZ
355	48070200UZ	48270200UZ

+ Part.no + HX

+ Part.no + HX = K12 System with end parts in graphite finish are available on request.



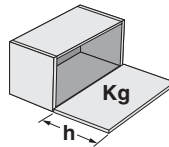
## Number of stays chart - L 164 mm



Rev.

h	Door weight (Kg)					
	1	2	3	4	5	6
200 - 224	1 x K12		2 x K12			
225 - 274	1 x K12	2 x K12			3 x K12	
275 - 300	1 x K12	2 x K12		3 x K12		

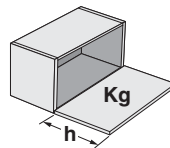
## Number of stays chart - L 244 mm



Rev. 02

h	Door weight (Kg)													
	1	2	3	4	5	6	7	8	9	10	11	12	13	
290 - 324	1 x K12		2 x K12				3 x K12			4 x K12				
325 - 374	1 x K12		2 x K12				3 x K12			4 x K12				
375 - 424	1 x K12		2 x K12			3 x K12			4 x K12					
425 - 474	1 x K12		2 x K12		3 x K12			4 x K12				-		
475 - 500	1 x K12		2 x K12		3 x K12		4 x K12			-				

## Number of stays chart - L 355 mm



Rev. 02

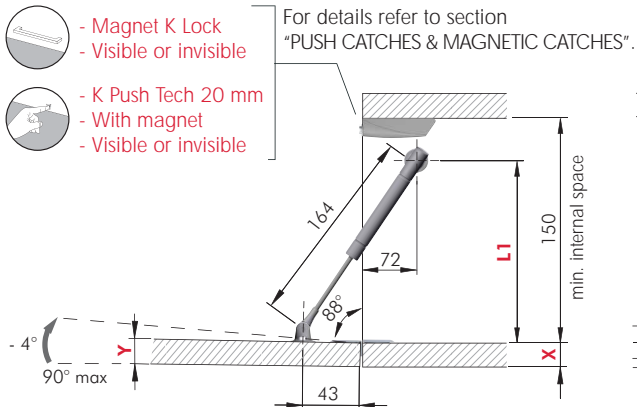
h	Door weight (Kg)												
	1	2	3	4	5	6	7	8	9	10	11	12	13
390 - 424	-		1 x K12			2 x K12					3 x K12		
425 - 474	-		1 x K12			2 x K12				3 x K12			
475 - 524	-		1 x K12			2 x K12				3 x K12			
525 - 574	-		1 x K12		2 x K12			3 x K12					
575 - 600	1 x K12		2 x K12			3 x K12				4 x K12			

These are experimental results to be checked by the customer. **In accordance with the actual European regulation, we suggest to use at least two stays for each door.** Our technical department is at your disposal to test further cases out of this chart.

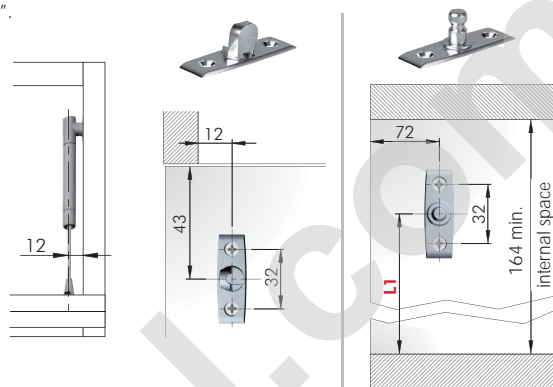


## DROP DOWN DRILLING PLANS WITH KIMANA HINGE

### L 164 mm



### SCREW FIXING BRACKETS:



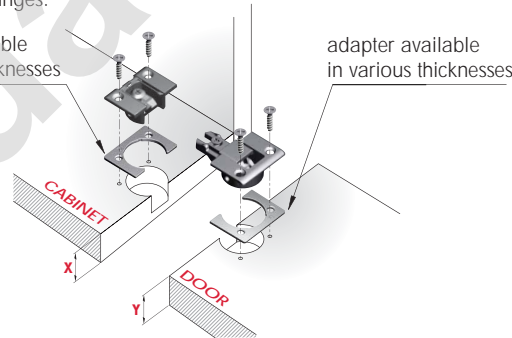
**Opening angle adjustment** is possible only with K12 SYSTEM ADJ

⚠ Overcrossing 90° door opening angle, it negatively effects the Kimana hinges.

Cabinet (X)		Door (Y)		L1
16 mm	4 mm	16 mm	2 mm	129
16 mm	4 mm	19 mm	-	131
18 mm	2 mm	18 mm	-	129
19 mm	-	16 mm	2 mm	125
19 mm	-	19 mm	-	127
20 mm	-	20 mm	-	127

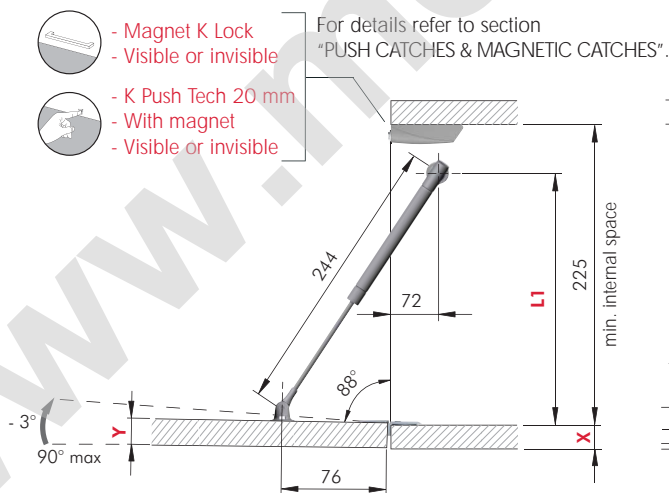
adapter available in various thicknesses

adapter available in various thicknesses

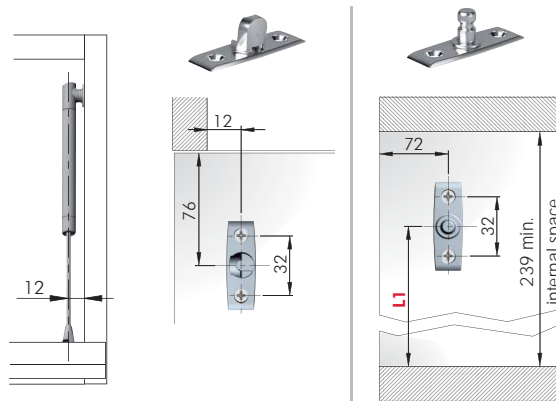


For Kimana and adapter details refer to section "HINGES".

### L 244 mm



### SCREW FIXING BRACKETS:



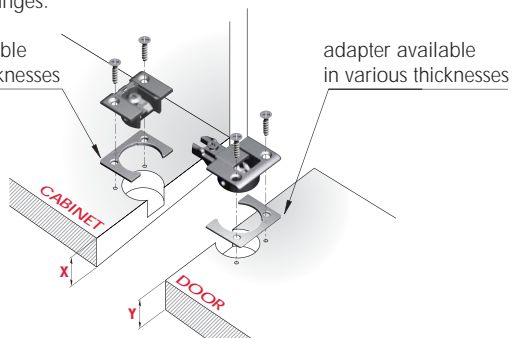
**Opening angle adjustment** is possible only with K12 SYSTEM ADJ

⚠ Overcrossing 90° door opening angle, it negatively effects the Kimana hinges.

Cabinet (X)		Door (Y)		L1
16 mm	4 mm	16 mm	2 mm	208
16 mm	4 mm	19 mm	-	210
18 mm	2 mm	18 mm	-	208
19 mm	-	16 mm	2 mm	204
19 mm	-	19 mm	-	206
20 mm	-	20 mm	-	206

adapter available in various thicknesses

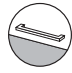

adapter available in various thicknesses



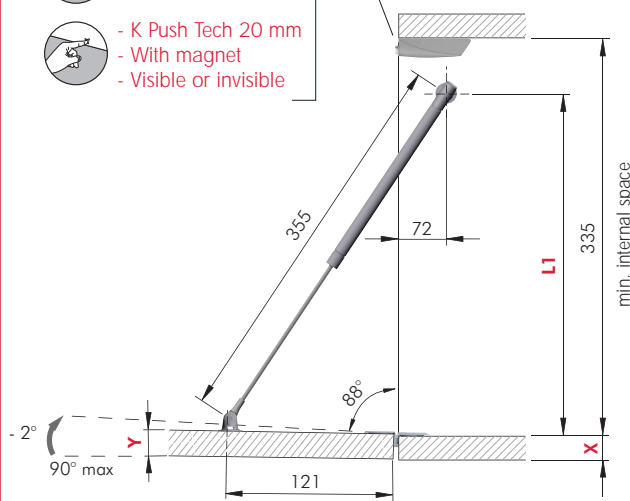
For Kimana and adapter details refer to section "HINGES".



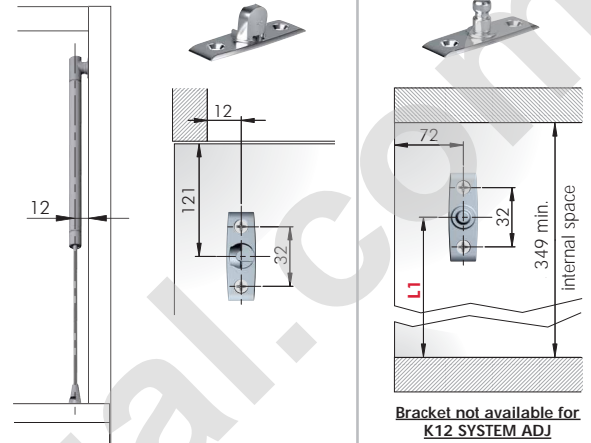
L 355 mm

-  - Magnet K Lock
- Visible or invisible
-  - K Push Tech 20 mm
- With magnet
- Visible or invisible

For details refer to section "PUSH CATCHES & MAGNETIC CATCHES".



SCREW FIXING BRACKETS:



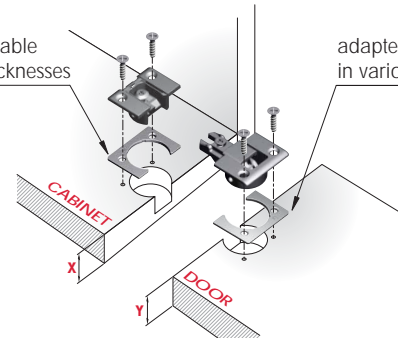
**Opening angle adjustment** is possible only with K12 SYSTEM ADJ

 Overcrossing 90° door opening angle, it negatively effects the Kimana hinges.

Cabinet (X)		Door (Y)		L1
16 mm	4 mm	16 mm	2 mm	314
16 mm	4 mm	19 mm	-	316
18 mm	2 mm	18 mm	-	314
19 mm	-	16 mm	2 mm	310
19 mm	-	19 mm	-	312
20 mm	-	20 mm	-	312

adapter available in various thicknesses

adapter available in various thicknesses



For Kimana and adapter details refer to section "HINGES".

www.kimana.com

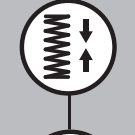
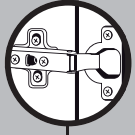
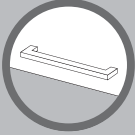


# K12 system & K12 system ADJ

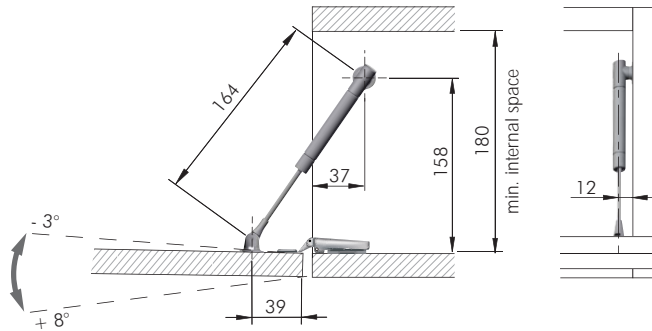
K12 SYSTEM CONFIGURATOR:



## DROP DOWN DRILLING PLANS WITH STANDARD HINGES OPENING WITH HANDLE

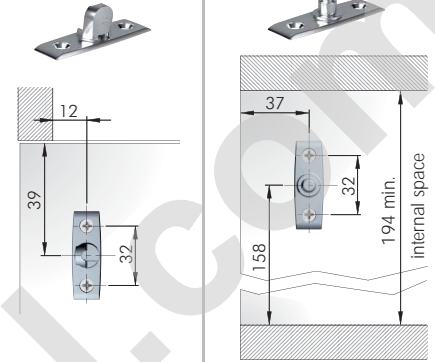


L 164 mm



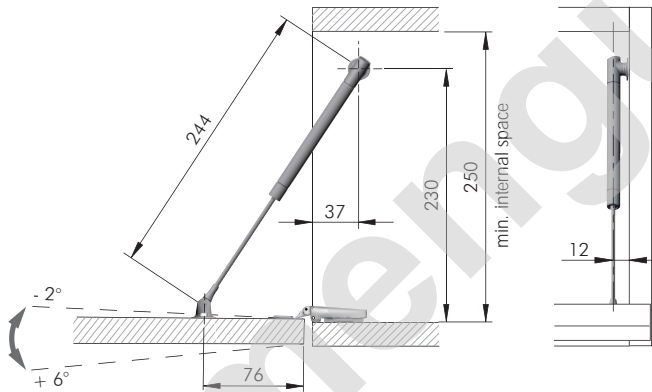
Opening angle adjustment is possible only with K12 SYSTEM ADJ version.

SCREW FIXING BRACKETS:



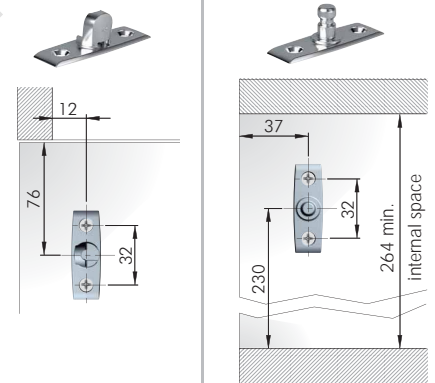
Bracket not available for K12 SYSTEM ADJ

L 244 mm



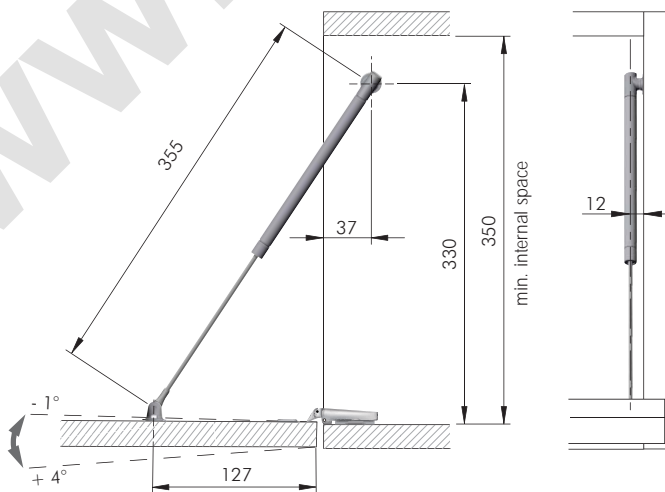
Opening angle adjustment is possible only with K12 SYSTEM ADJ version.

SCREW FIXING BRACKETS:



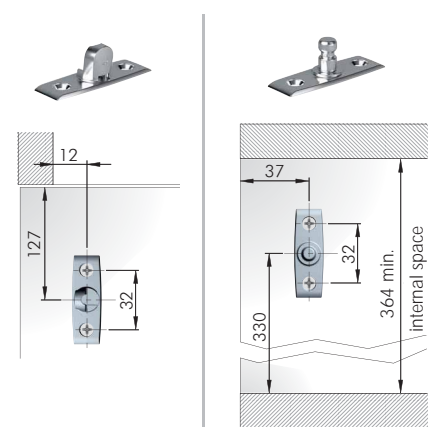
Bracket not available for K12 SYSTEM ADJ

L 355 mm



Opening angle adjustment is possible only with K12 SYSTEM ADJ version.

SCREW FIXING BRACKETS:



Bracket not available for K12 SYSTEM ADJ

The dimensions of the drilling plans refer to carcasses which use **standard sprung hinges** and mounting plates 0 mm. Please note that the opening angle varies with respect to the hinge brand and adjustment carried out.



Please note that in case of use of **unsprung hinges**, magnet **K Lock** is required. For details refer to section "PUSH CATCHES & MAGNETIC CATCHES".

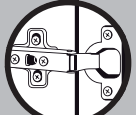
# K12 system & K12 system ADJ

OPENING SYSTEMS FOR FLAP AND DROP DOWN DOORS



## DROP DOWN DRILLING PLANS WITH STANDARD HINGES PUSH TO OPEN

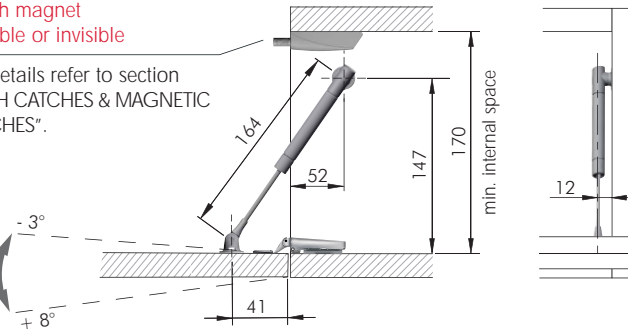
K12 SYSTEM CONFIGURATOR:



L 164 mm

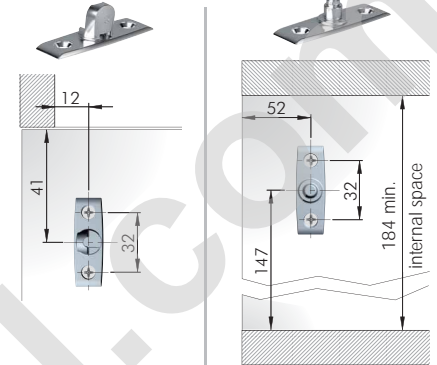
- K Push Tech 14 mm
- With magnet
- Visible or invisible

For details refer to section "PUSH CATCHES & MAGNETIC CATCHES".



Opening angle adjustment is possible only with K12 SYSTEM ADJ

SCREW FIXING BRACKETS:

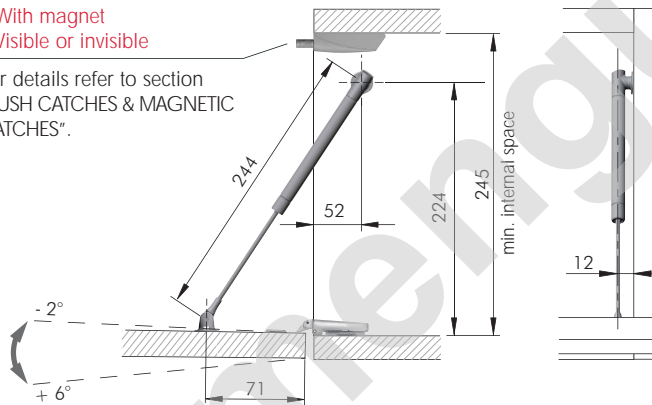


Bracket not available for K12 SYSTEM ADJ

L 244 mm

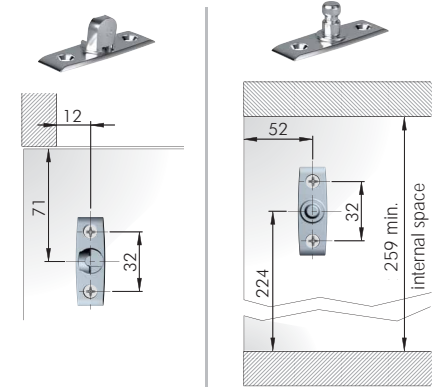
- K Push Tech 14 mm
- With magnet
- Visible or invisible

For details refer to section "PUSH CATCHES & MAGNETIC CATCHES".



Opening angle adjustment is possible only with K12 SYSTEM ADJ

SCREW FIXING BRACKETS:

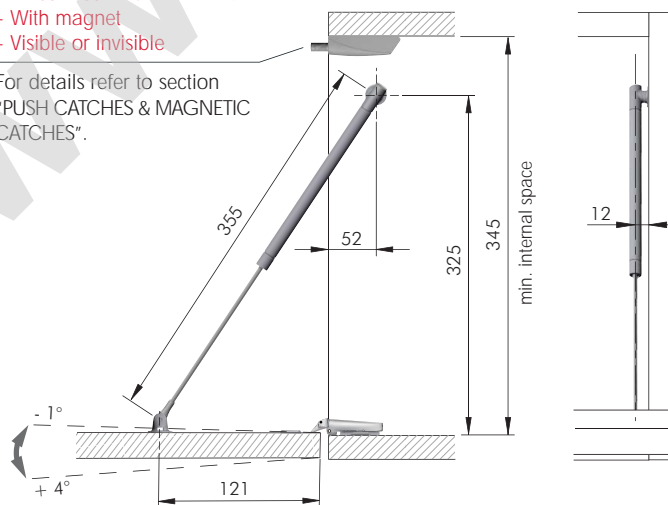


Bracket not available for K12 SYSTEM ADJ

L 355 mm

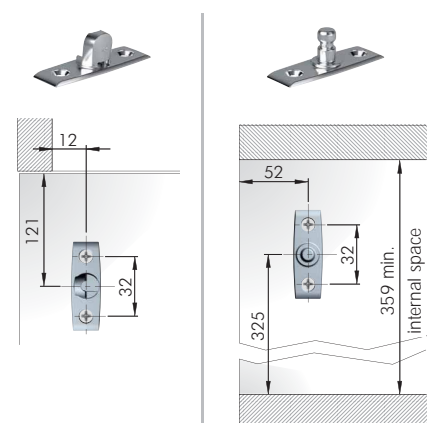
- K Push Tech 14 mm
- With magnet
- Visible or invisible

For details refer to section "PUSH CATCHES & MAGNETIC CATCHES".



Opening angle adjustment is possible only with K12 SYSTEM ADJ

SCREW FIXING BRACKETS:



Bracket not available for K12 SYSTEM ADJ

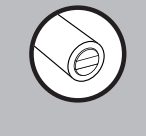
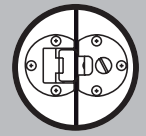
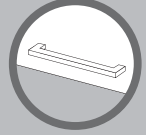
The dimensions of the drilling plan refer to carcasses which use **standard unsprung hinges** and mounting plates 0 mm. Please note that the opening angle varies with respect to the hinge brand and adjustment carried out.



Please note that utilization with **standard sprung hinges** and **K Push Tech with buffer** is also possible. In such case, after the door is initially released by K Push Tech, a manual opening approx. 7 cm is required (in order to win the spring resistance). Consequently, the door will automatically open to the fullest. For details refer to section "PUSH CATCHES & MAGNETIC CATCHES".



## DROP DOWN DRILLING PLANS WITH FLAP HINGE



### L 164 mm

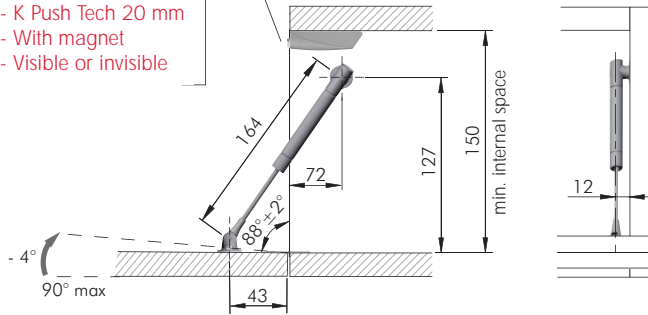


- Magnet K Lock
- Visible or invisible



- K Push Tech 20 mm
- With magnet
- Visible or invisible

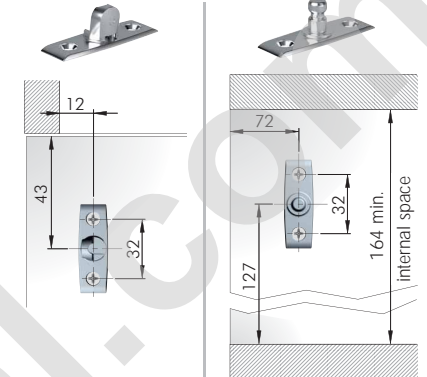
For details refer to section "PUSH CATCHES & MAGNETIC CATCHES".



**Opening angle adjustment** is possible only with K12 SYSTEM ADJ

⚠ Overcrossing 90° door opening angle, it negatively effects the flap hinges.

### SCREW FIXING BRACKETS:



Bracket not available for K12 SYSTEM ADJ

### L 244 mm

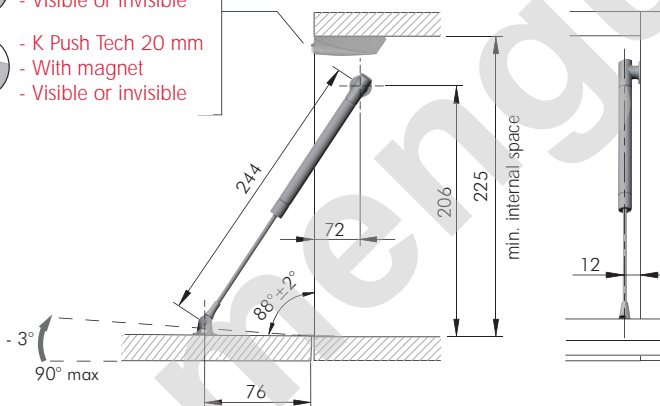


- Magnet K Lock
- Visible or invisible



- K Push Tech 20 mm
- With magnet
- Visible or invisible

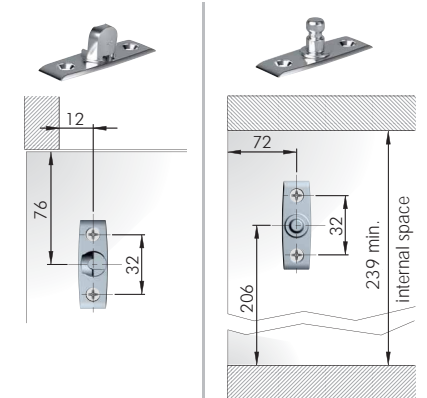
For details refer to section "PUSH CATCHES & MAGNETIC CATCHES".



**Opening angle adjustment** is possible only with K12 SYSTEM ADJ

⚠ Overcrossing 90° door opening angle, it negatively effects the flap hinges.

### SCREW FIXING BRACKETS:



Bracket not available for K12 SYSTEM ADJ

### L 355 mm

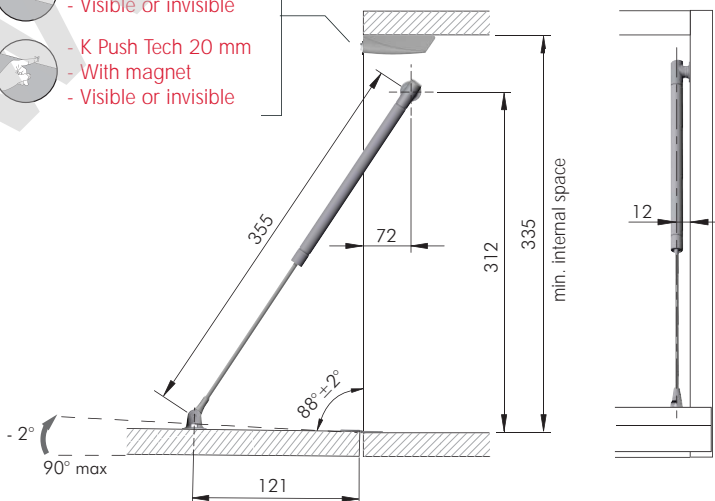


- Magnet K Lock
- Visible or invisible



- K Push Tech 20 mm
- With magnet
- Visible or invisible

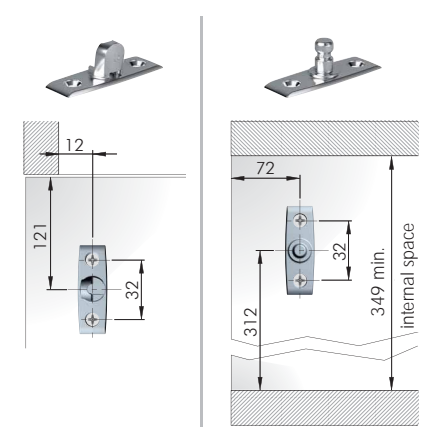
For details refer to section "PUSH CATCHES & MAGNETIC CATCHES".



**Opening angle adjustment** is possible only with K12 SYSTEM ADJ

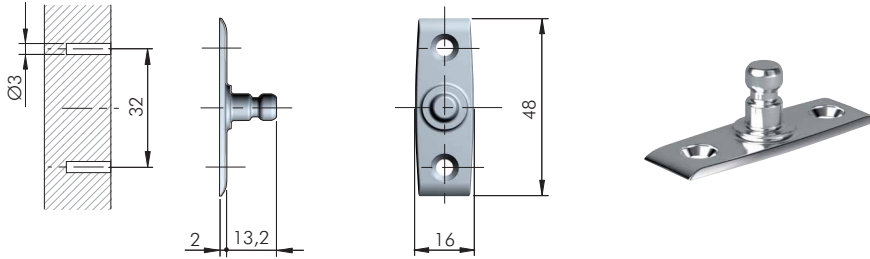
⚠ Overcrossing 90° door opening angle, it negatively effects the flap hinges.

### SCREW FIXING BRACKETS:



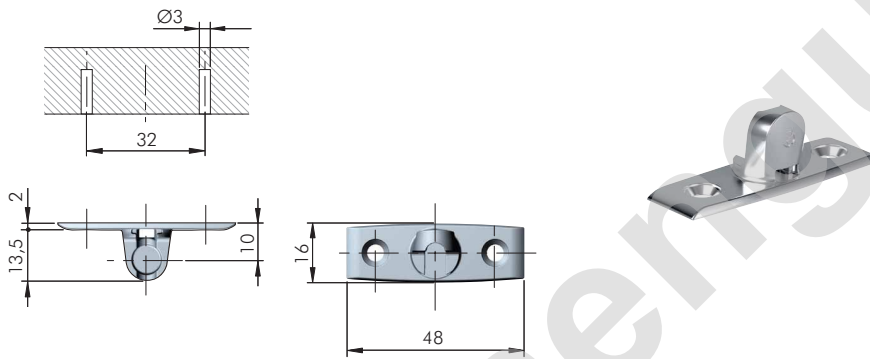
Bracket not available for K12 SYSTEM ADJ

## SCREW FIXING SIDE BRACKET (Not for K12 SYSTEM ADJ)



= Ø 3 mm	= 50 pcs.
ZA	
123	
<b>48080120YA</b>	
<b>48080120HX</b>	

## SCREW FIXING DOOR BRACKET



= Ø 3 mm	= 50 pcs.
ZA	
123	
<b>48080100YA</b>	
<b>48080100HX</b>	

## SCREW FIXING BRACKETS ACCESSORY



= Ø 3 mm	= 10.000 pcs.	
		= PZ2
ST		
123		
<b>60101390YA</b>		
<b>60101390HX</b>		