

# POWER FRAME

**BACH  
MAN**

DE Montageanleitung

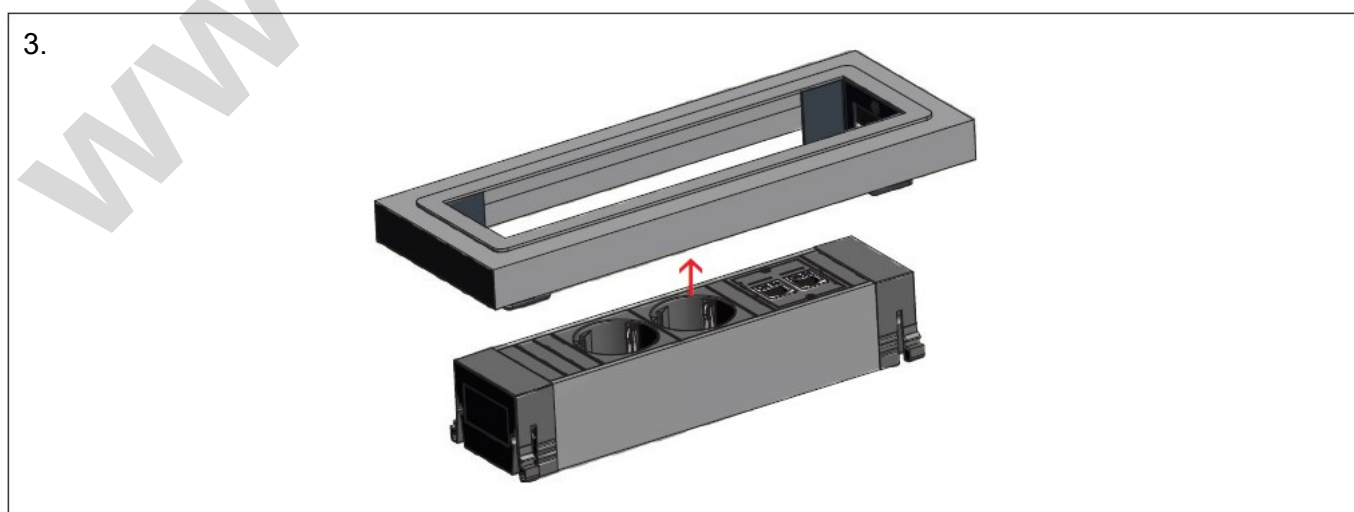
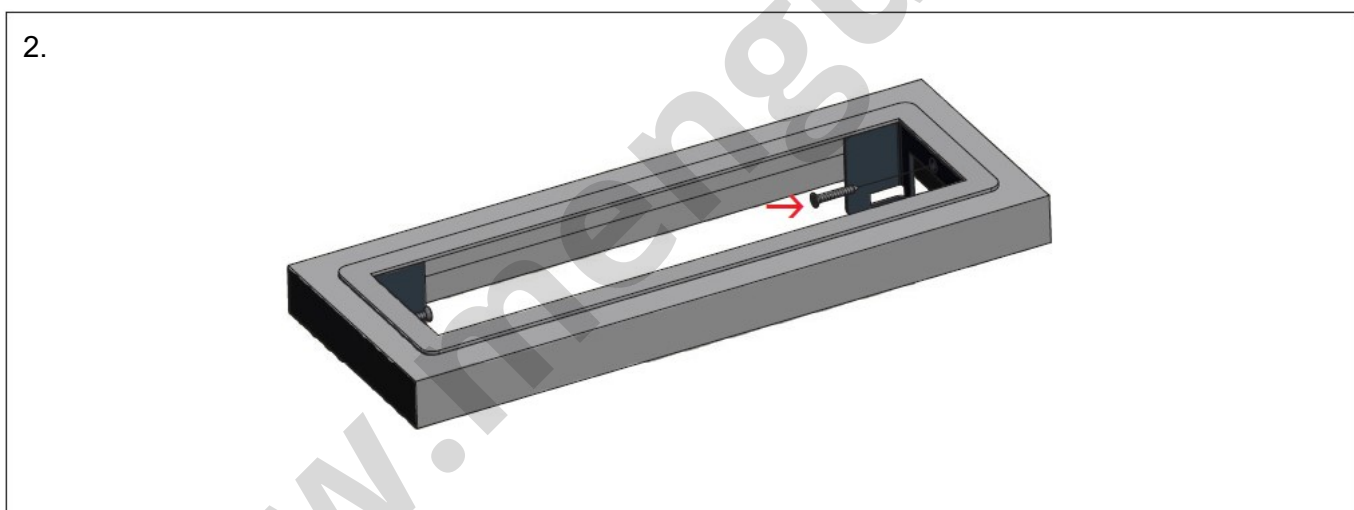
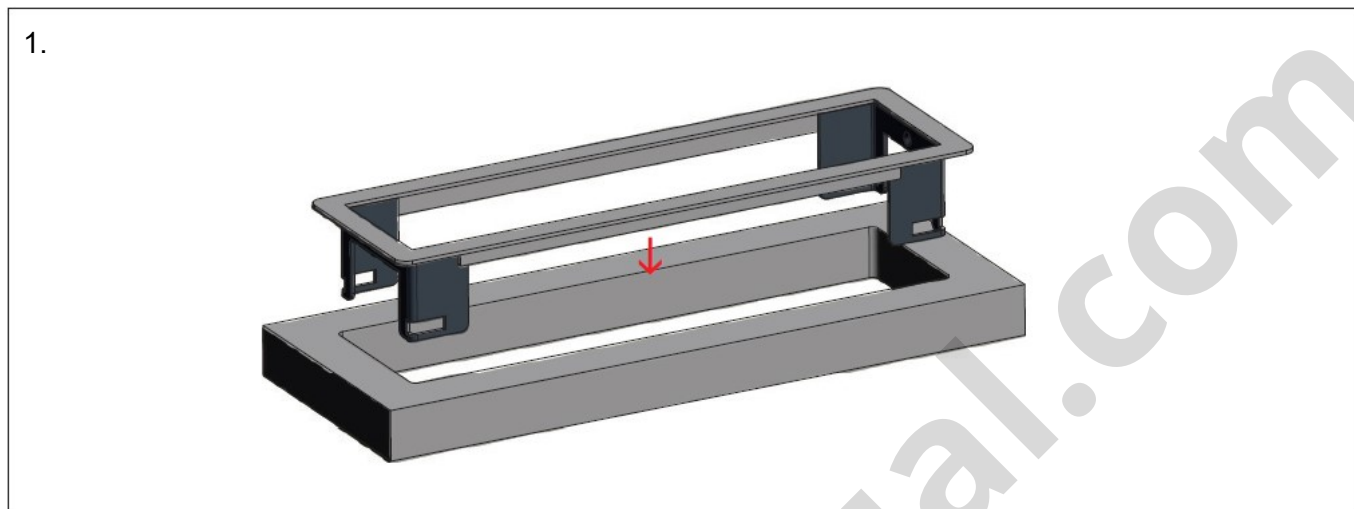
ES Instrucciones de montaje

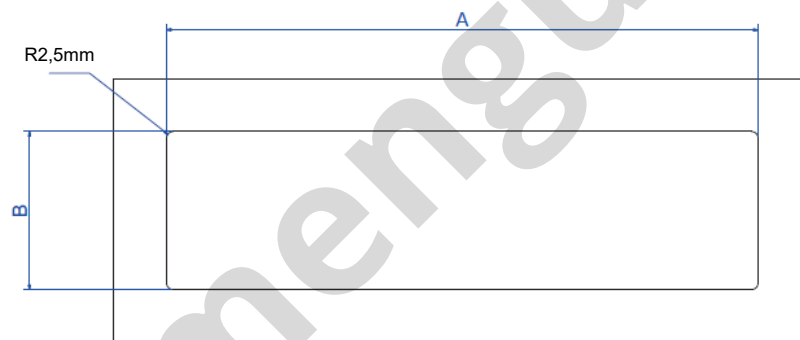
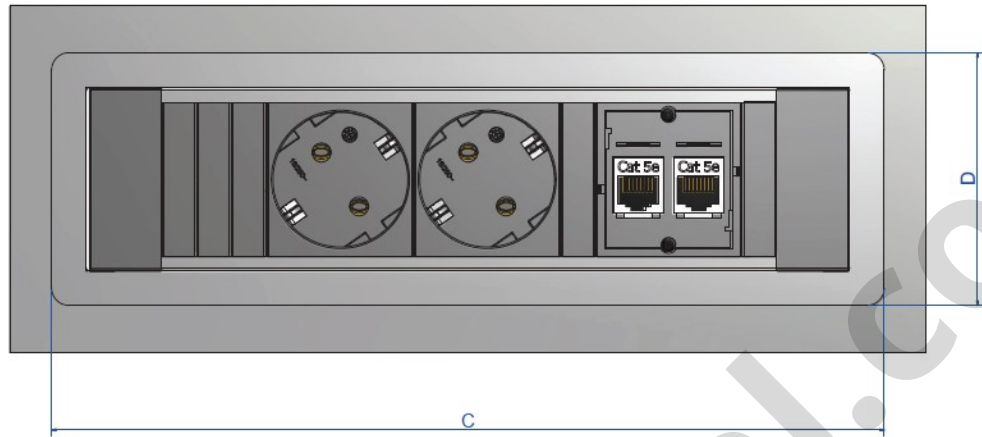
EN Mounting instructions

RO Instrucțiuni de montare

FR Instructions de montage

IT Istruzioni per l'installazione





Tisch-Ausschnittmaße / Table cut-out dimensions

	A	B	C	D
1-fach / 1-way	140,00mm	60,00mm	156,00mm	73,0mm
2-fach / 2-way	182,50mm	60,00mm	198,50mm	73,00mm
5-fach / 5-way	310,00mm	60,00mm	326,00mm	73,00mm
7-fach / 7-way	395,00mm	60,00mm	411,00mm	73,00mm
8-fach / 8-way	437,50mm	60,00mm	453,50mm	73,00mm

Ausschnitt für flächenbündige  
Version dem Produkt anpassen  
Eckenradius 5mm

Adapt table section to product for  
flush-mounted version  
radius 5mm