



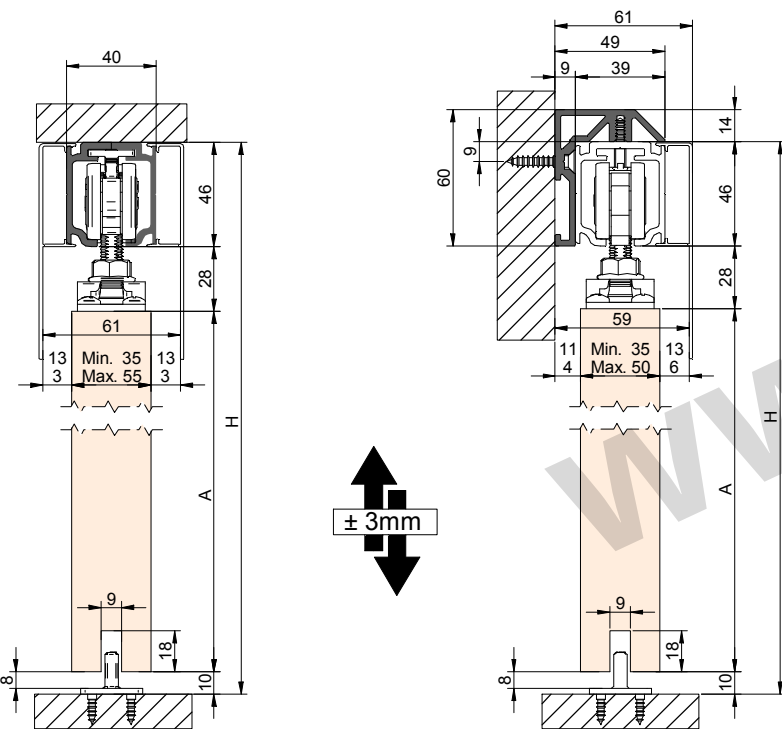
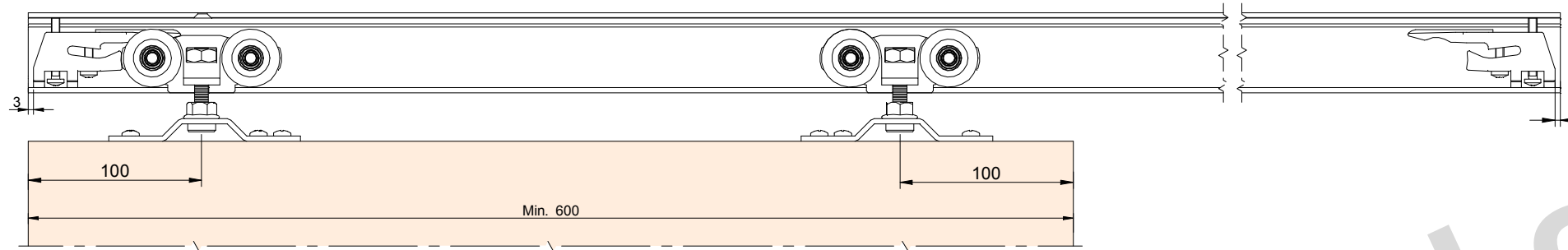
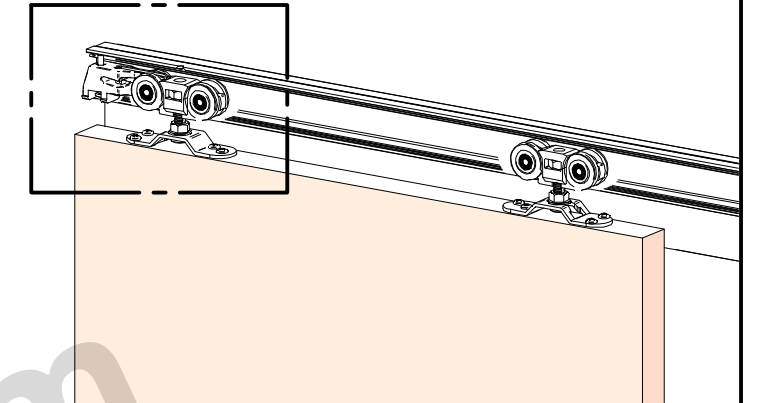
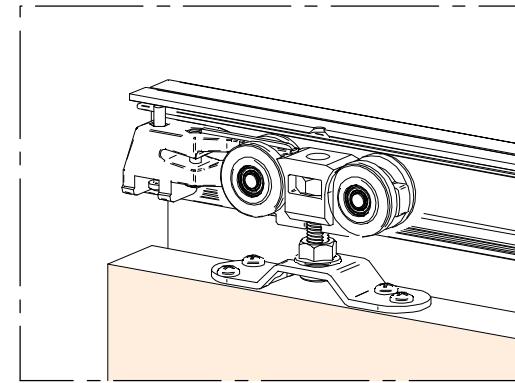
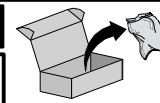
SF-A140

x2 FRENO
RETENEDOR



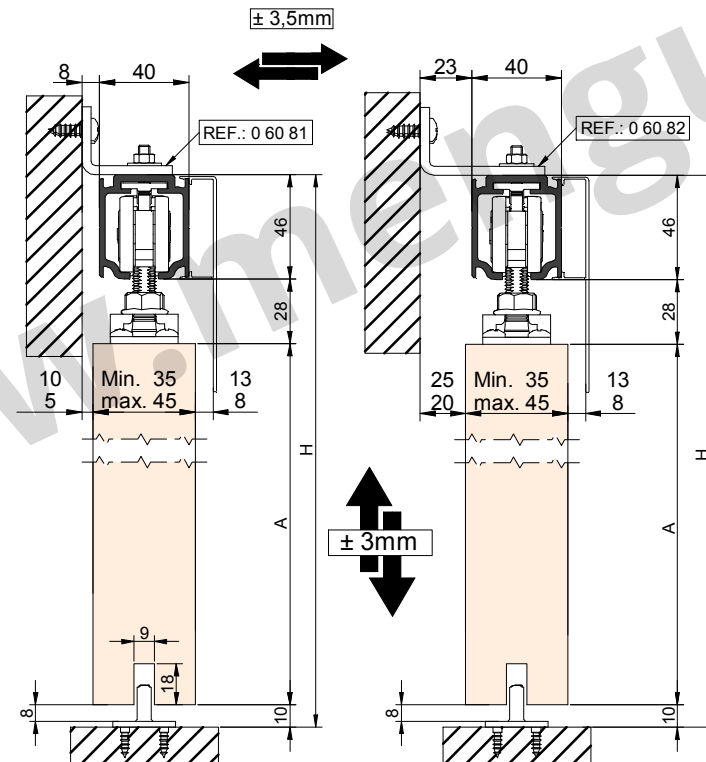
CODE: 0 140 00

a		2	g		2
b		2	h		1
c		2	i		1
d		2	j		4
f		8	n		2



± 3mm

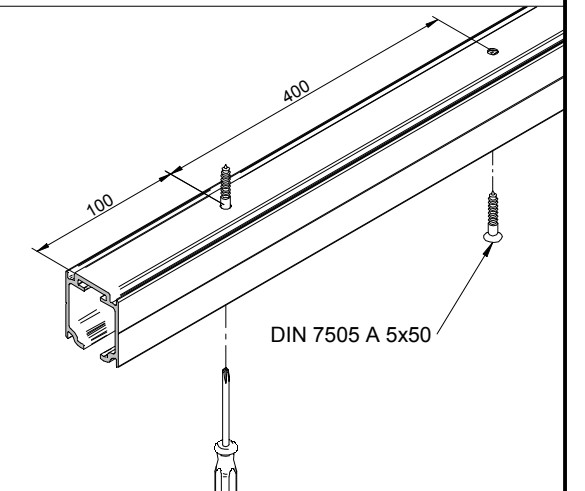
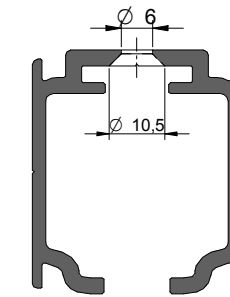
A= H-84



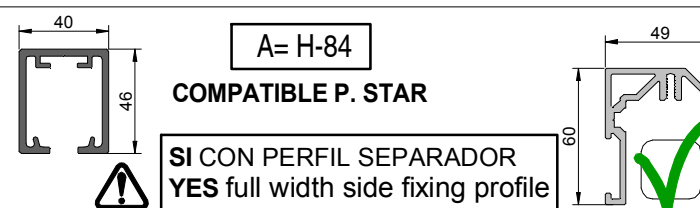
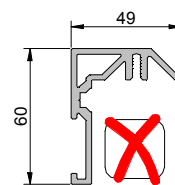
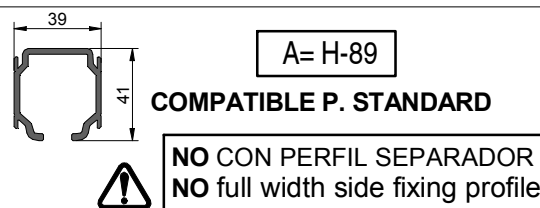
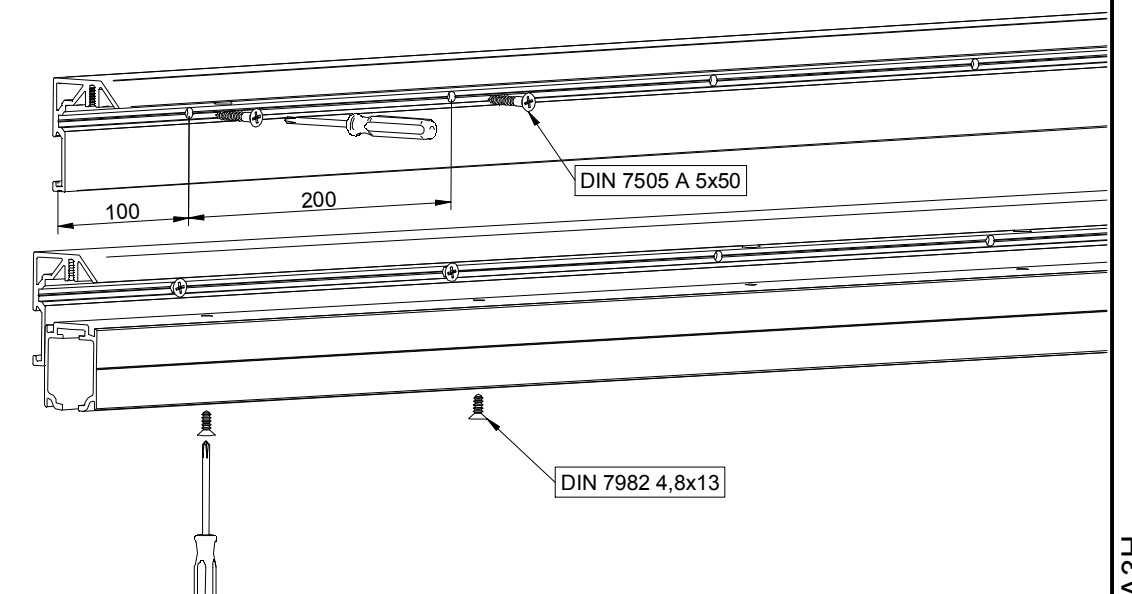
± 3mm

A= H-84

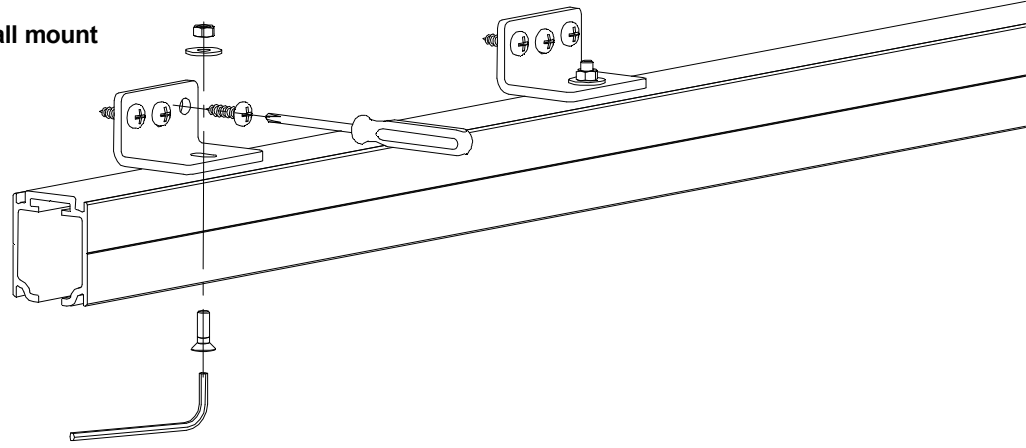
1 MONTAJE A TECHO / Ceiling mount



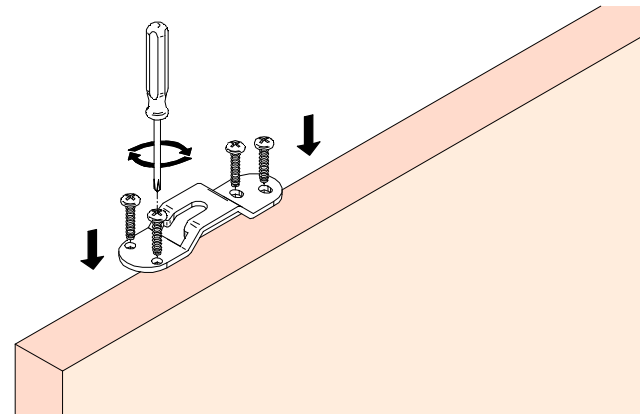
2 MONTAJE A PARED + PERFIL SEPARADOR / Wall mount + full width side fixing profile



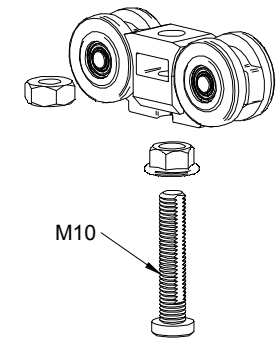
3 MONTAJE A PARED / Wall mount



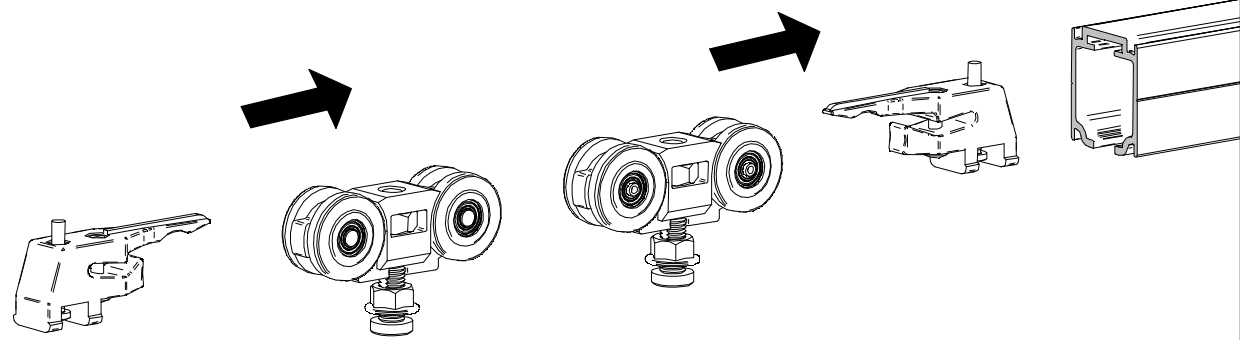
4 MONTAJE COMPONENTES / Assembly components



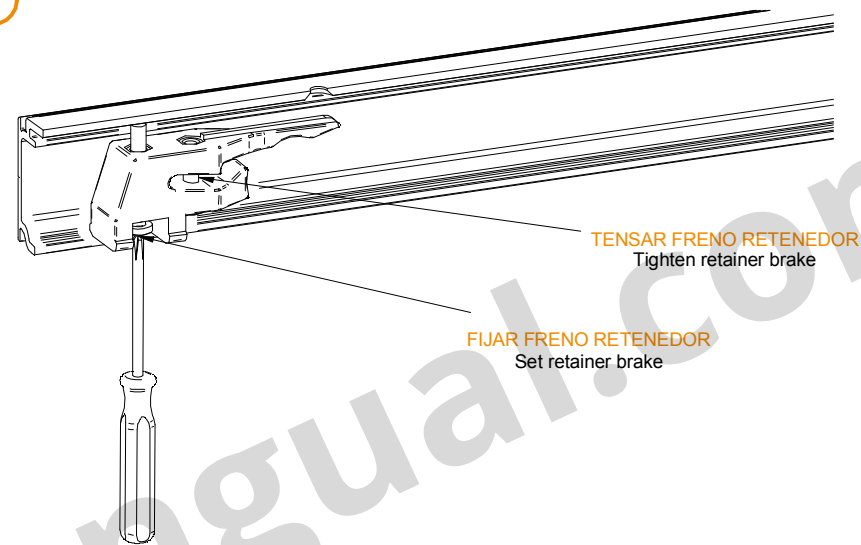
5



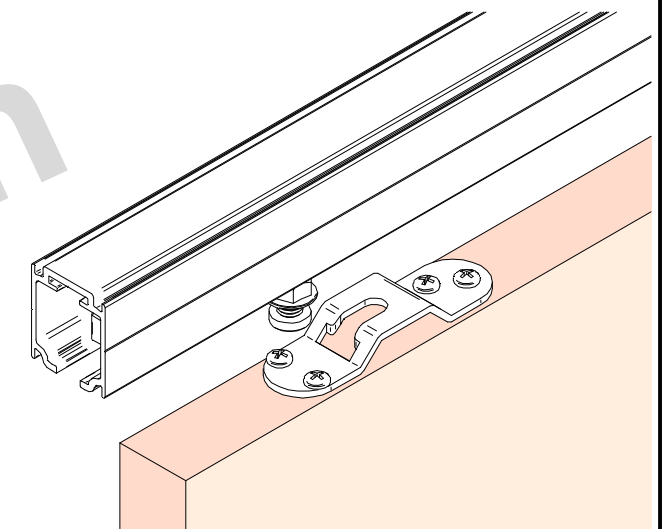
6



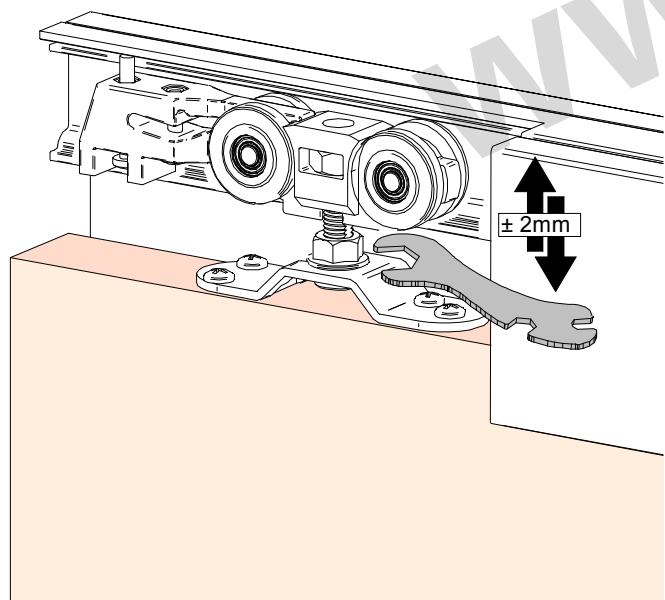
7



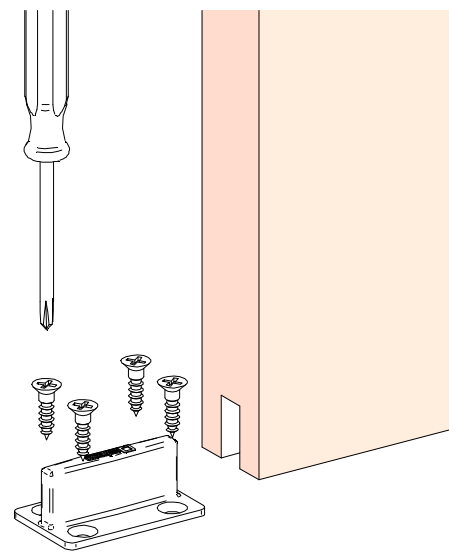
8 MONTAJE PUERTA / Door installation



9



10



11 MONTAJE TAPETA / Pelmet cover mount

