

IP 20



nur im Innenbereich
indoor use only



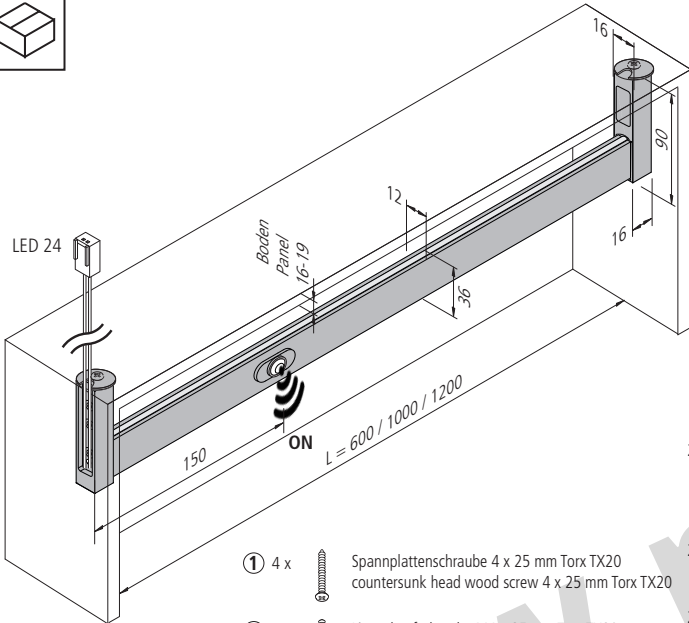
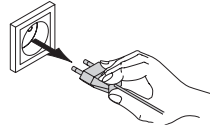
24 V DC

W

max.
9,3 W



L70/B10 ≥
54.000 h

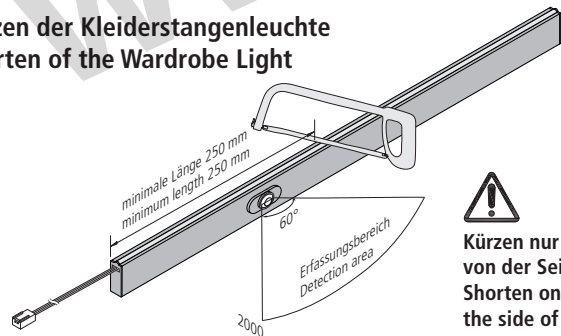


L	Leistung Wattage
600	4,7 W
1000	7,8 W
1200	9,3 W

- ① 4 x Spannplattenschraube 4 x 25 mm Torx TX20
countersunk head wood screw 4 x 25 mm Torx TX20
- ② 2 x Linsenkopfschraube M4 x 25 mm Torx TX20
rounded head screw M4 x 25 mm Torx TX20
- ③ 2 x Senkkopfschraube M4 x 6 mm Torx TX20
countersunk head screw M4 x 6 mm Torx TX20
- 2 x Halter
holder
- 2 x Seitenabdeckung
side-mounting cover
- 2 x Aufsatzmontageträger
on-top-mounting bracket
- 2 x Montagedeckel
top-mounting cover



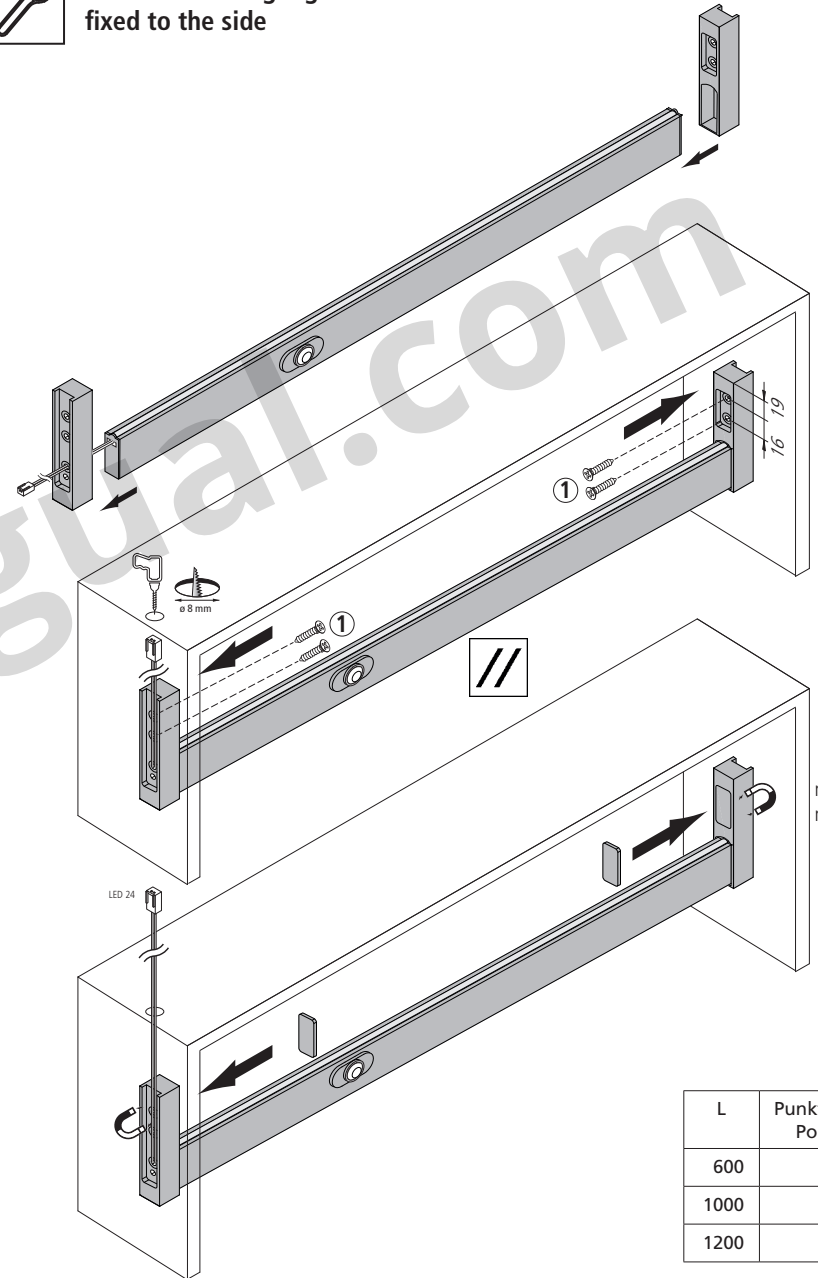
Kürzen der Kleiderstangenleuchte Shorten of the Wardrobe Light



Kürzen nur von der rechten Seite, nicht
von der Seite des PIR-Schalters.
Shorten only from the right side, not on
the side of the PIR switch.



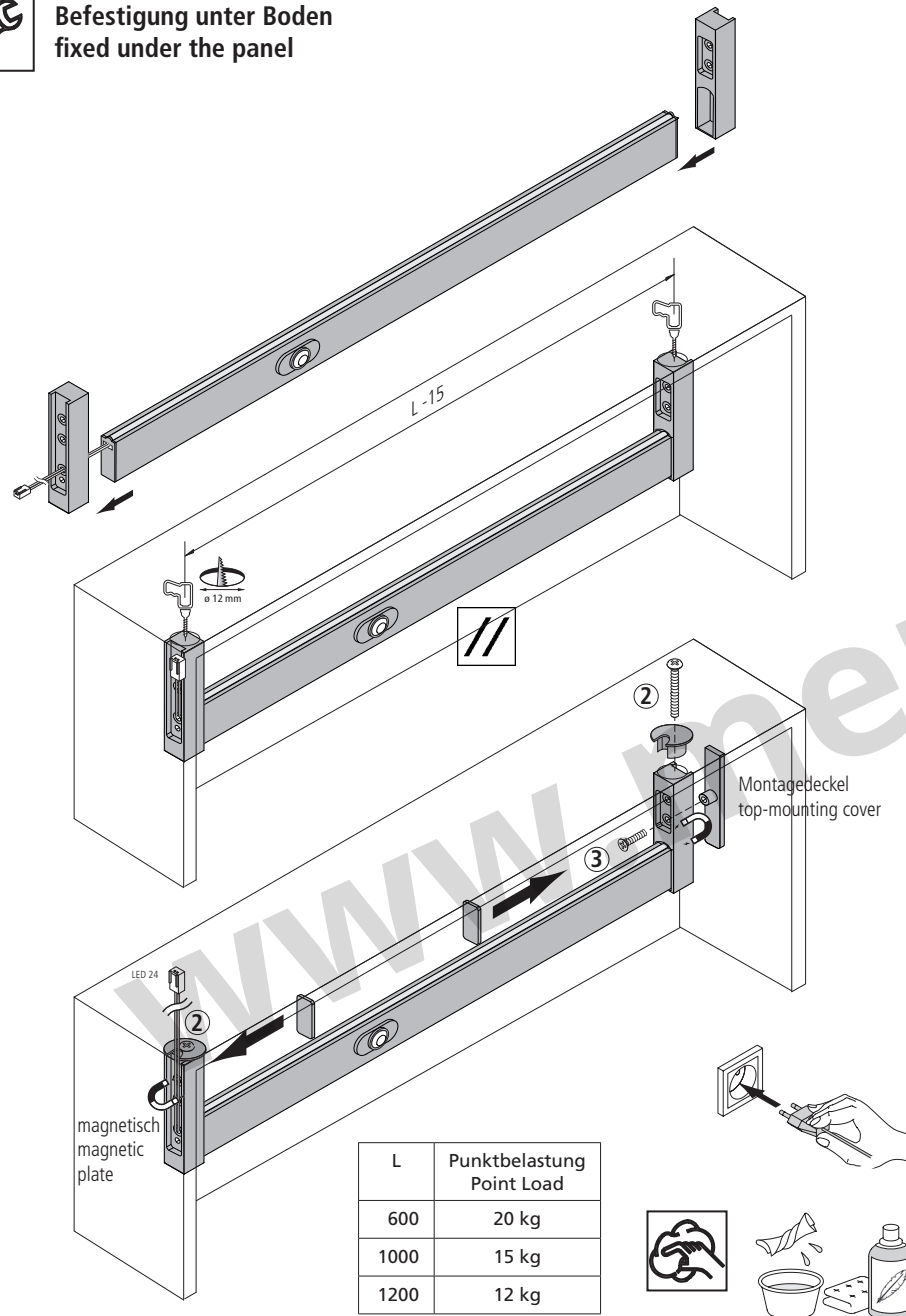
seitliche Befestigung
fixed to the side



L	Punktbelastung Point Load
600	25 kg
1000	20 kg
1200	15 kg



Befestigung unter Boden
fixed under the panel



Assembly and operating Instructions

Hera Wardrobe Light Q

Intended use

LED Wardrobe Light with non-contact PIR switch. The non-contact switch is triggered solely by movement. Approved as a furniture luminaire in accordance with VDE 0710 part 14/04.82 for installation in furniture.



1. Faulty parts should only be replaced with original parts.
2. Always fully insert all plug connections.
3. The light source of these luminaire are non-changeable light diodes (LED). Do not disassemble the luminaire as the light diode can cause damage to the eyes.
4. Connection only to special LED - Converter Hera Type LED 24/...W with a constant output voltage 24 V DC and a maximum output power of 75 W.
5. Hera grants no warranty when other LED converters as the prescribed converters are used.
6. Can be fixed to the side and under the panel (16 - 19 mm)
7. The motion detector responds to movements within its detection range (0 up to 2 m, detection area 60°) and then switches on the luminaire. If no movement is detected within the detection range, the motion detector automatically switches the appliance off after a time delay of 30 seconds.
8. Avoid moving objects in detection range.
9. Shorten only from the right side, not on the side of the PIR switch. Minimum length 250 mm
10. If you shorten the luminaire some of the LED may be damaged so there may be a dark zone on the right side. Max. length of the dark zone is < 40 mm
11. When fastening under the floor, the holder can be closed by screwing on the mounting cover if the holder is not flush with the side wall of the cabinet.



Do not dispose of electrical appliances in household waste, use separate collection facilities. When replacing old appliances with new ones, the retailer is obliged by law to accept to take back your old appliance for disposal free of charge.

