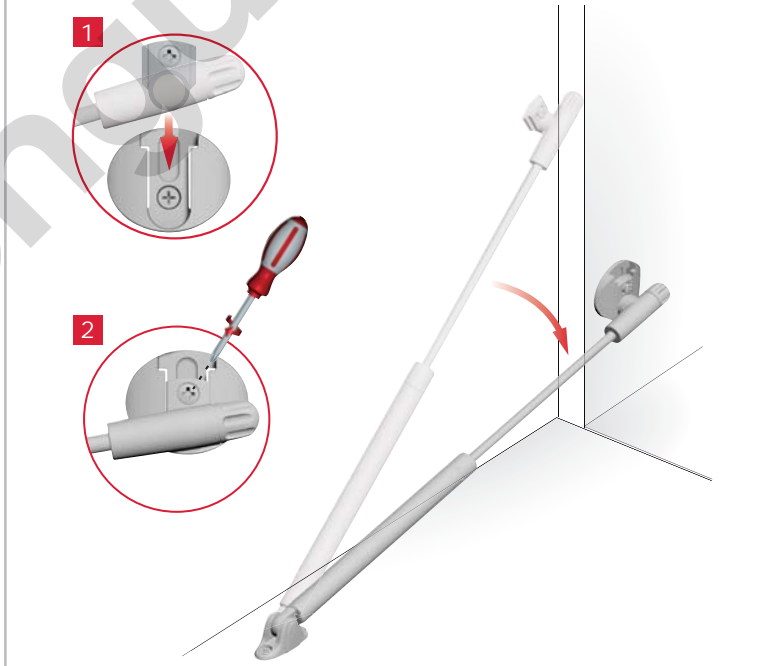
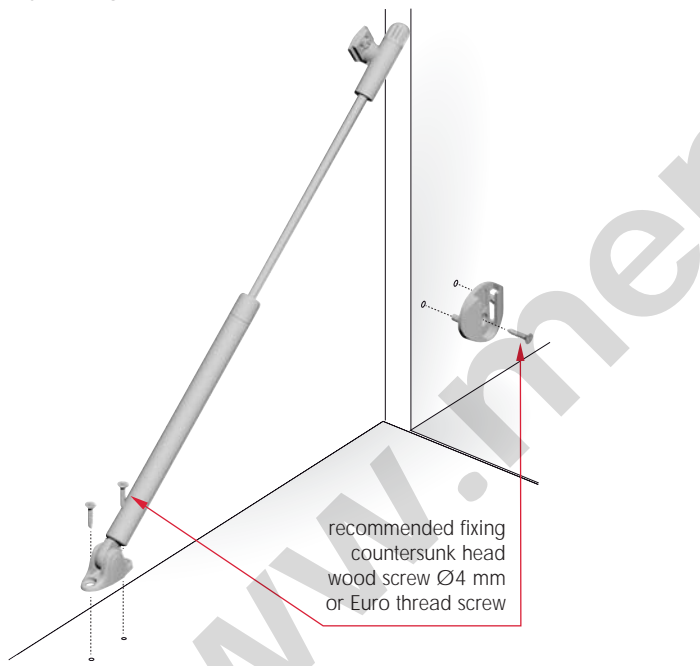


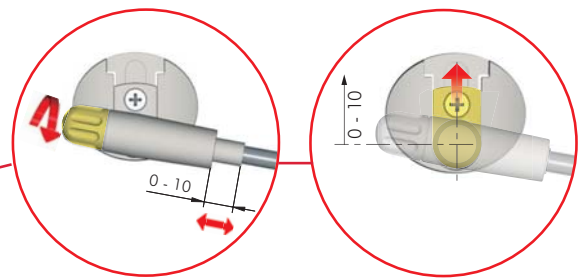
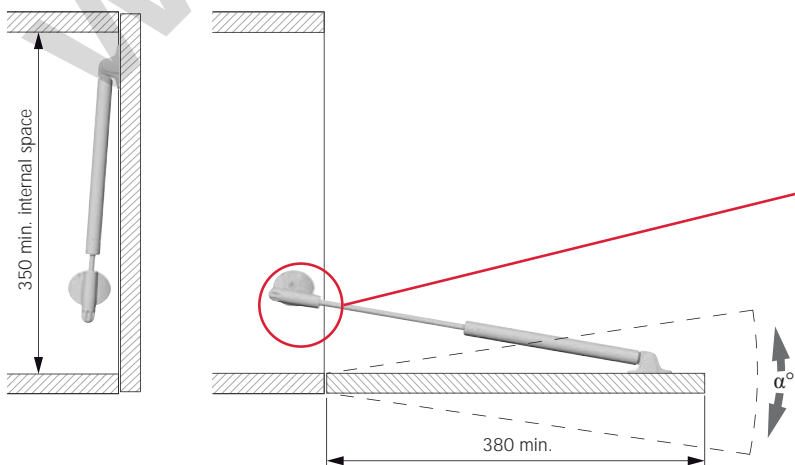
## KRABY FOR WRITING DESK



### INSTALLATION



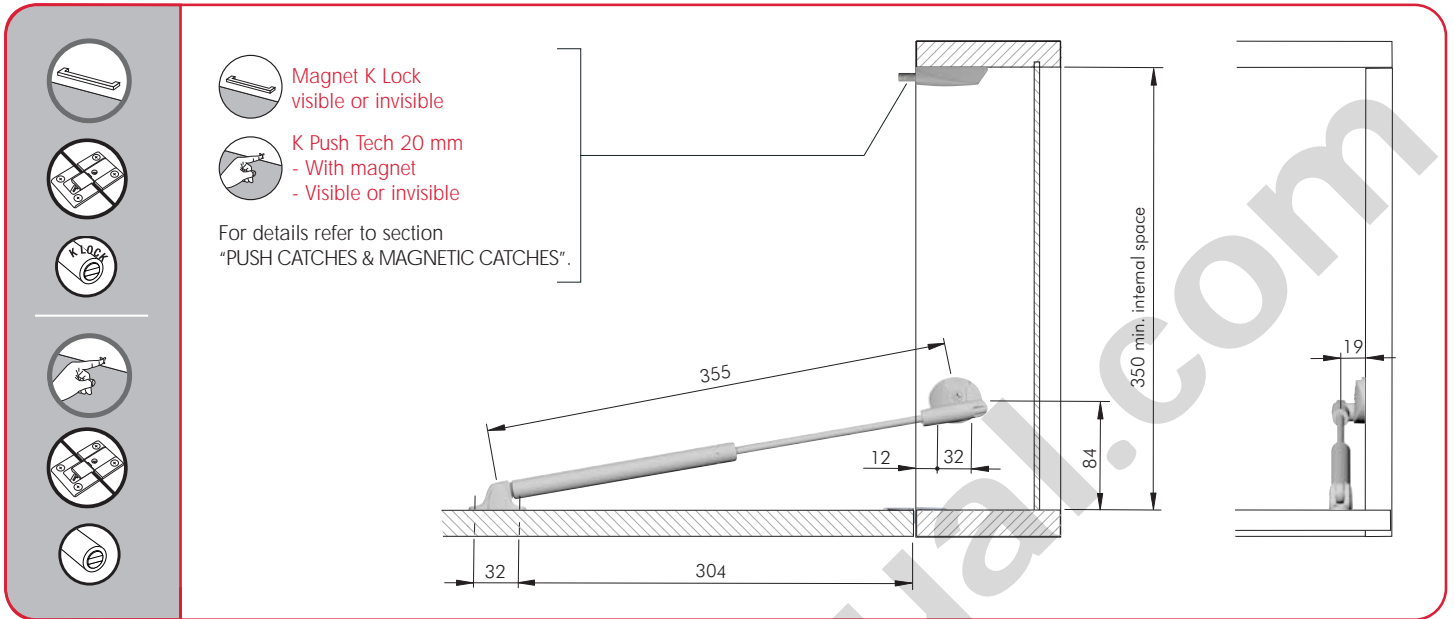
### ADJUSTMENTS



**INCREASE OPENING ANGLE**  
Rotate the rotary knob.

**REDUCE OPENING ANGLE**  
Move forward and backward the piston base plate in the bracket slot.

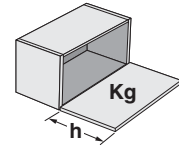
## DRILLING PLANS WITH KIMANA HINGE



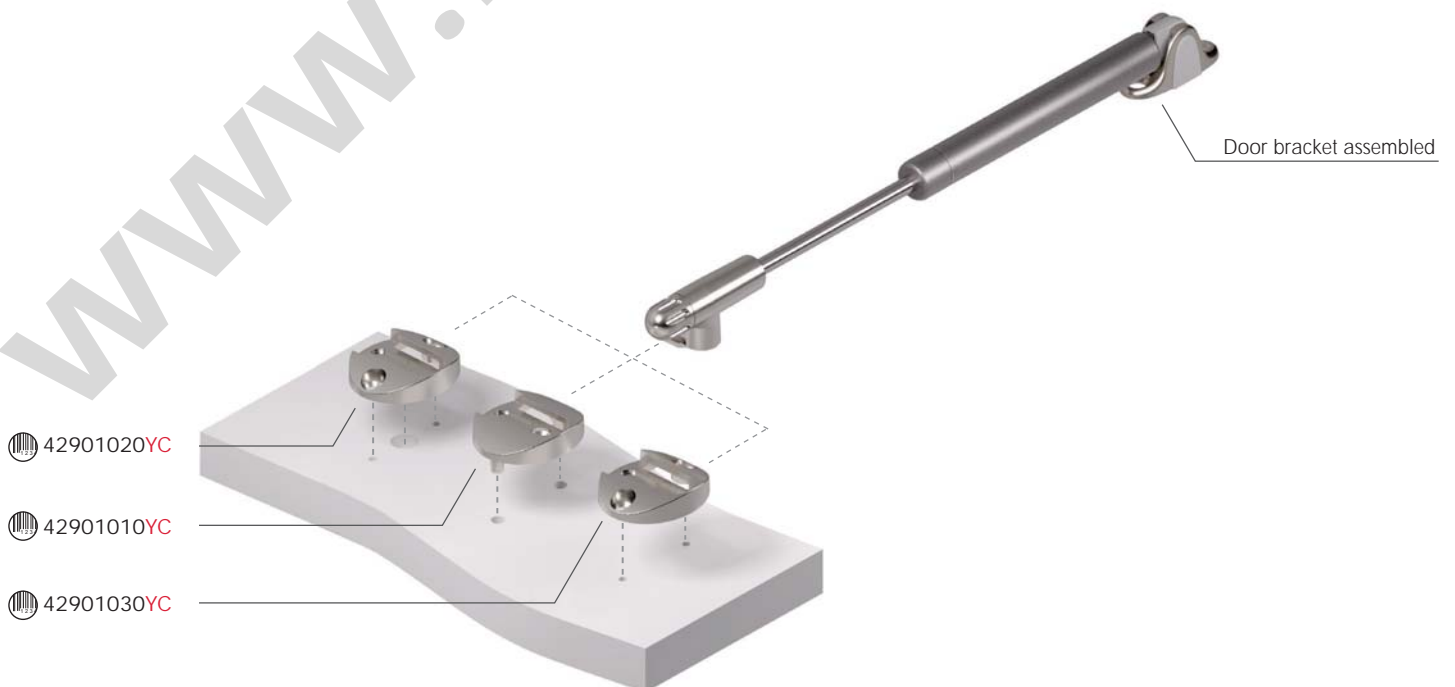
## Number of stays chart

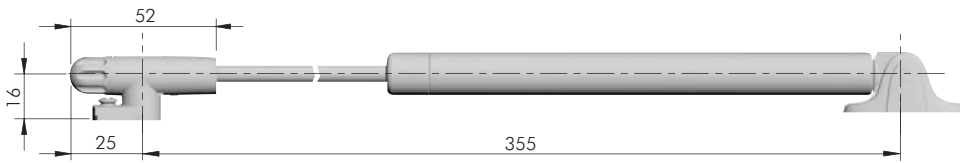
Rev. 00

h	Door weight (Kg)												
	1	2	3	4	5	6	7	8	9	10	11	12	
380 - 450													2 x Kraby
451 - 550													2 x Kraby



These are experimental results to be checked by the customer. Our technical department is at your disposal to test further cases out of this chart. In accordance with the actual European regulation, it is necessary to use two lid stays for each door.

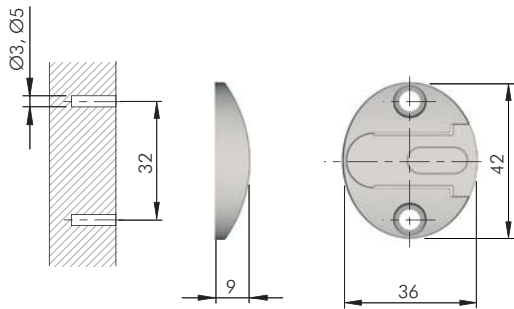




ZAnk EP ST = 50 pcs.

42250030UZ

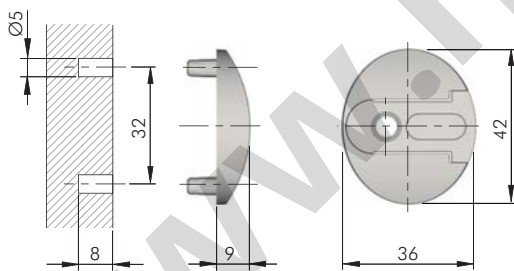
## SIDE BRACKETS DRILLING PLANS



= Ø 3, Ø 5 mm

ZA = 100 pcs.

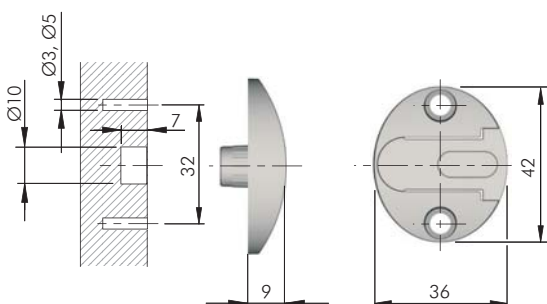
42901030YC



= Ø 5 mm

ZA = 100 pcs.

42901010YC

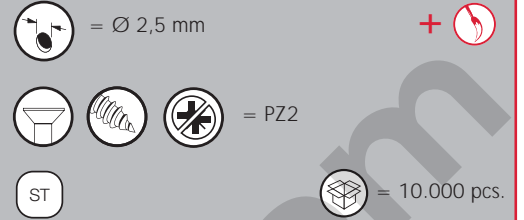
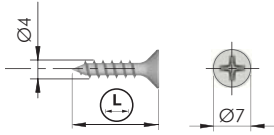




= Ø 3, Ø 5 mm + Ø 10 mm

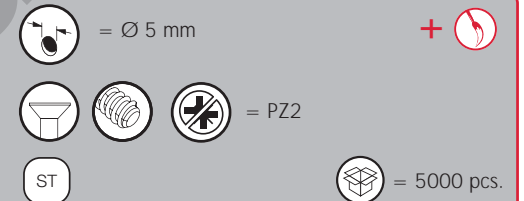
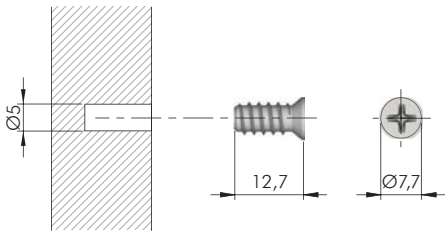
ZA = 100 pcs.

42901020YC

## FIXING ACCESSORIES



 123	
60101570YA	16
60101580YA	18



 123	
60501050YA	

www.mengual.com