

 **MENGUAL**[®]

 **ITALIANA**[®]
f e r r a m e n t a

Triade Slim

WOOD
AND
GLASS
SHELVING
SYSTEMS



TRIADE SLIM



18 mm min.



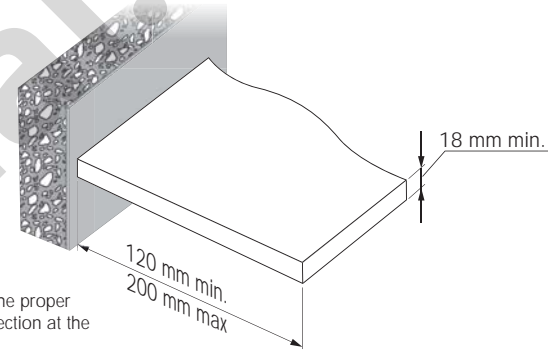
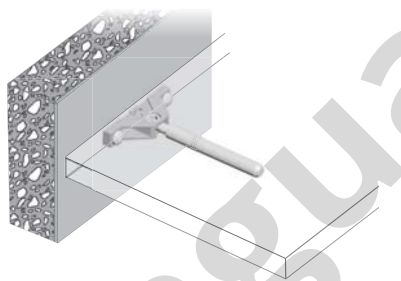
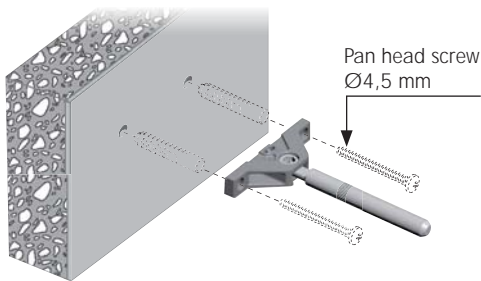
10 kg for each shelf support
for shelf 200 mm deep



PAT. PENDING



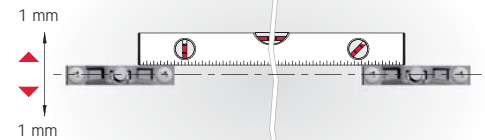
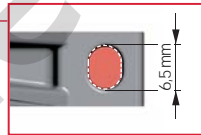
SPECIFICATION



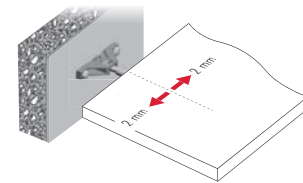
It is the responsibility of the customer: to ensure the wall is of a suitable quality to hold the shelf fixing in place and to use the proper hardware fittings according to the construction of the wall. For more specific information, please refer to the WARNINGS section at the end of the catalogue.

ADJUSTMENT

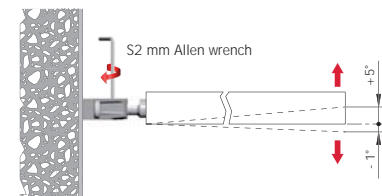
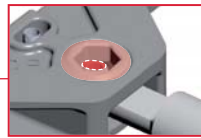
BRACKET ALIGNMENT



LATERAL ADJUSTMENT



INCLINATION ADJUSTMENT

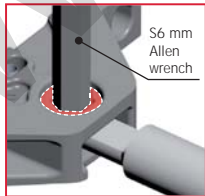
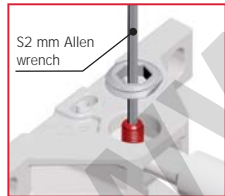


LOCKING:

VERY IMPORTANT

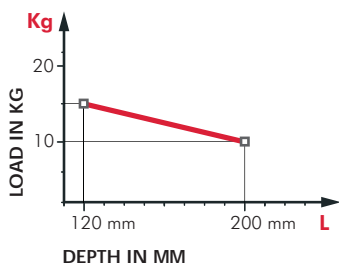
Screw the ring to lock when adjustments are finished.

Unscrew the ring screw then act on the grub screw to change pin inclination.

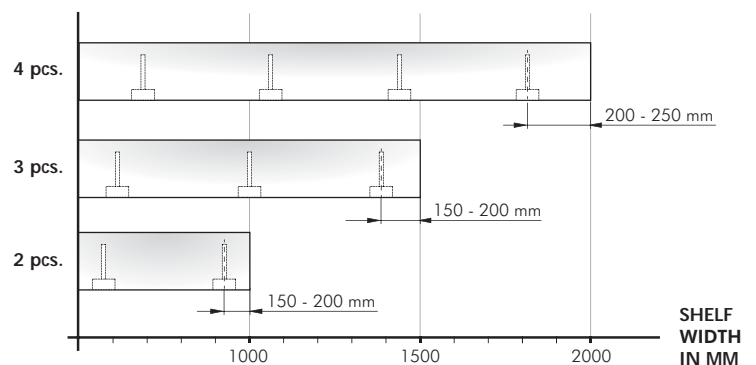


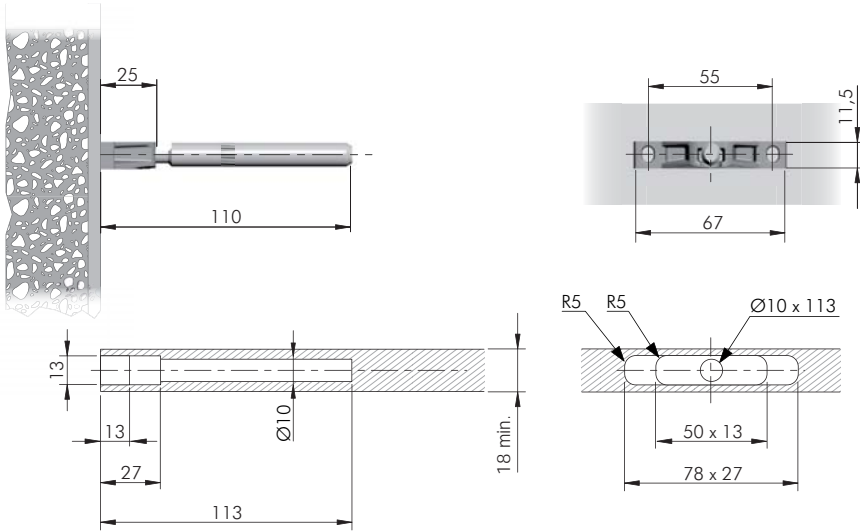
CAPACITY LOADING CHART

(The figures refer to 1 shelf support)



RECOMMENDED NUMBER OF TRIADE SLIM PER SHELF

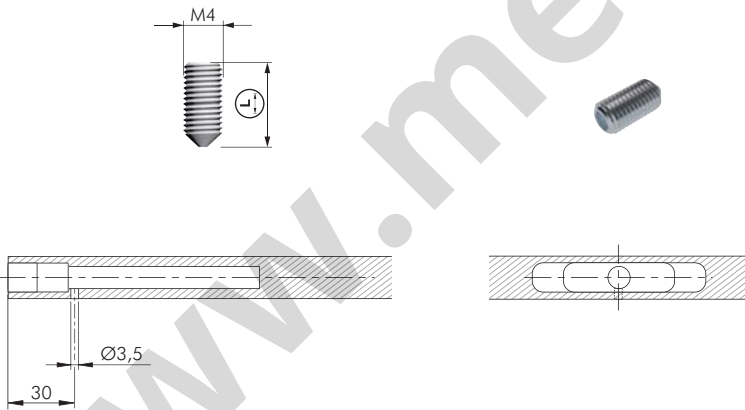




= open ended wrenches S2-S6 mm
 =

 -----00

OPTIONAL DRILLING FOR SECURITY LOCKING



= S2 mm
 = 100 pcs.

21105210ZN | 6 | 18-20 mm
21105180ZN | 10 | 25 mm

