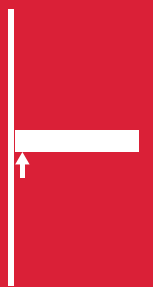




www.mengual.com

Triade

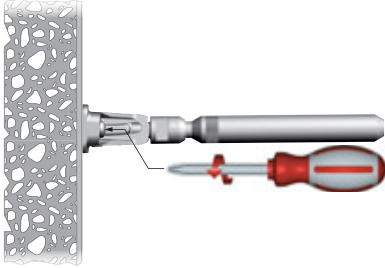


WOOD AND
GLASS
SHELVING
SYSTEMS

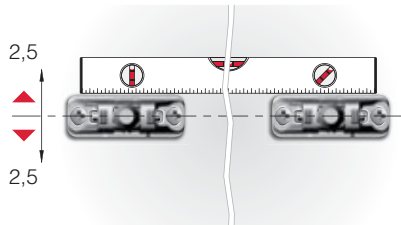
APPLICATION FOR ALL TRIADE VERSIONS

VERTICAL ADJUSTMENTS

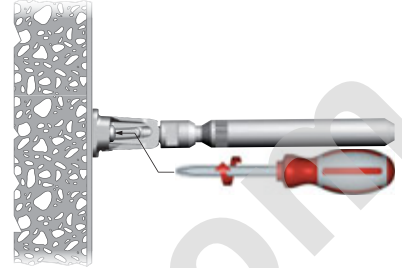
RELEASE THE FIXING SCREWS



ALIGN BRACKETS VERTICALLY ACCORDINGLY

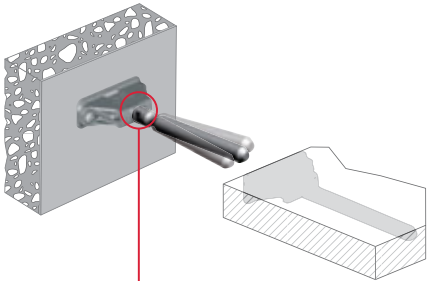


TIGHT THE FIXING SCREWS

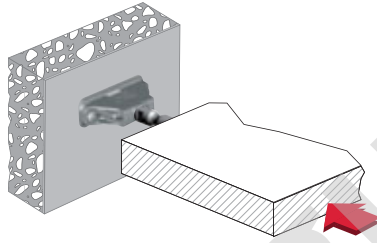


SHELF INSERTING AND LATERAL ADJUSTMENT

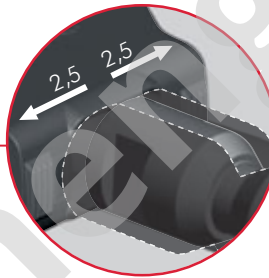
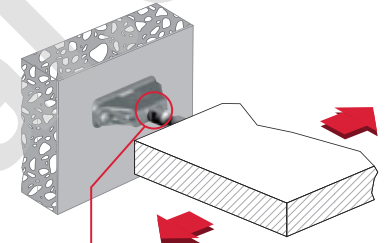
TILT THE SHELF TO MATCH BOTH SUPPORTING PINS AND SHELF HOUSINGS



INSERT PARTIALLY THE SHELF

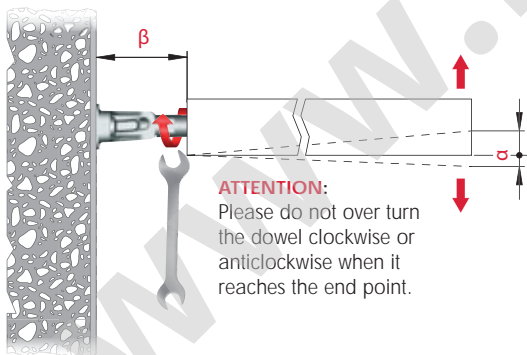


ADJUST THE SHELF LATERALLY ACCORDING TO THE APPLICATION (i.e. MULTI-SHELF COMPOSITION)



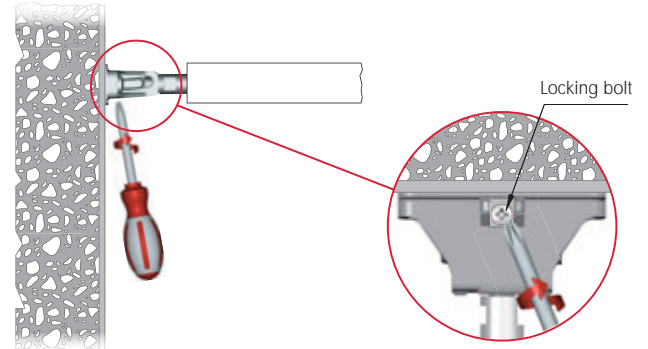
INCLINATION ADJUSTMENTS

TURN CLOCKWISE THE SUPPORTING PIN WITH A 10 - 12 mm OPEN-ENDED WRENCH TO ADJUST THE SHELF ANGLE FRONT TO BACK ACCORDINGLY



MODEL	β (mm)	α (mm)
TRIADE	approx. 45	-6 +13
TRIADE MAXI	approx. 70	-8 +20

SCREW THE LOCKING BOLT TO BLOCK THE PIN



SHELF INSERTING FOR ALL TRIADE MODELS

PUSH THE SHELF AGAINST THE WALL UNTIL THE END

