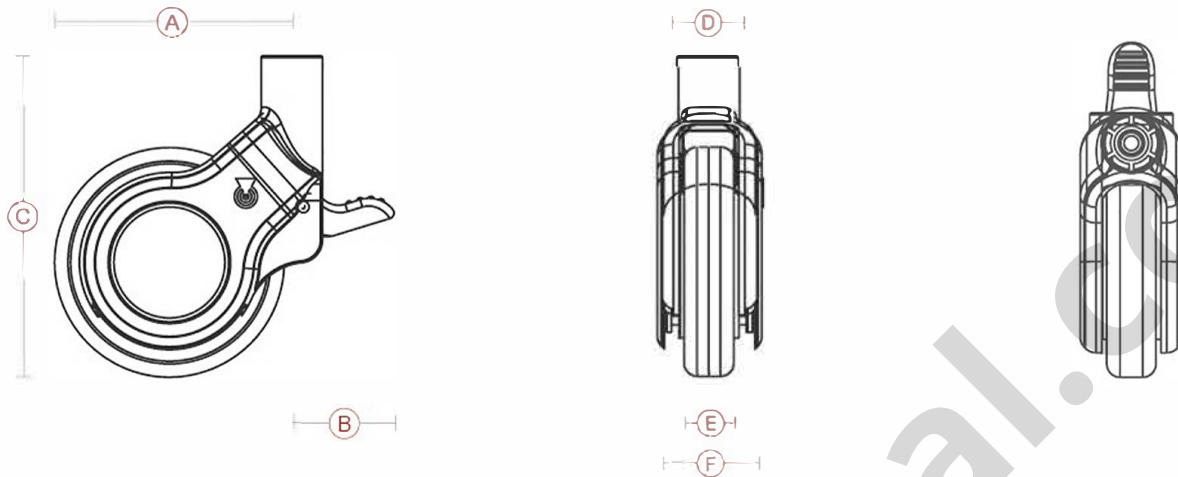


MANILA

MENGUAL®



Measures

LOAD CAPACITY IN KG

Ø60
28,8

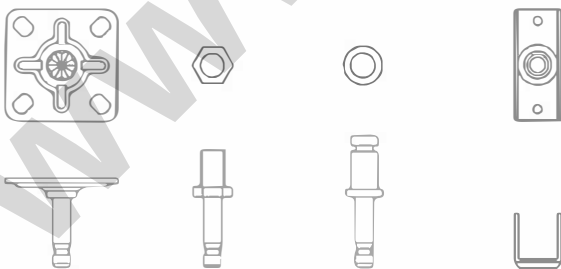
Ø60

A	62
B	28
C	84
D	16
E	13
F	27

Colours body, the Colours of the wheel on request

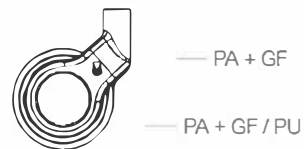


Fixing - Fastening indications



Ø 60	47x47x2,5	M10x15	Ø11x22	37,5x24,5x20,6
		M8x15		40x34x16
				40x34x19

Material



Without brake

