

# TANDEM 16 mm 7/8 extension

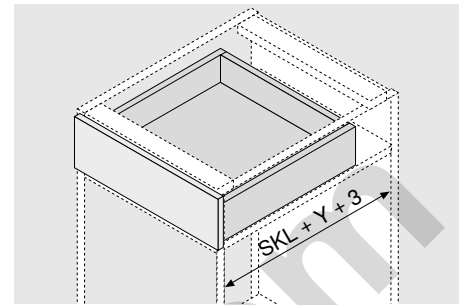
Technical data sheet



540H locking device feature – BLUMOTION



- Concealed runner system for wooden drawers with a panel thickness of 11 to 16 mm
- TANDEM 7/8 extension for ergonomic access
- Includes integrated BLUMOTION motion technology for soft and effortless closing
- Low-friction cylindrical nylon rollers and a soft end stop ensure a feather-light glide
- Tool-free height adjustment via locking device (with T51.1700.04)
- Built-in width and depth tolerance compensation



Drawer depth (SKL) mm	Y mm
300	25
350	25
400	35
450	35
500	30

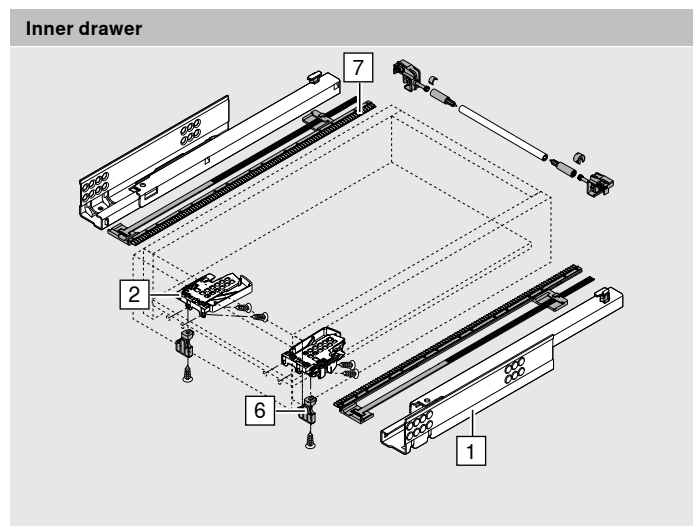
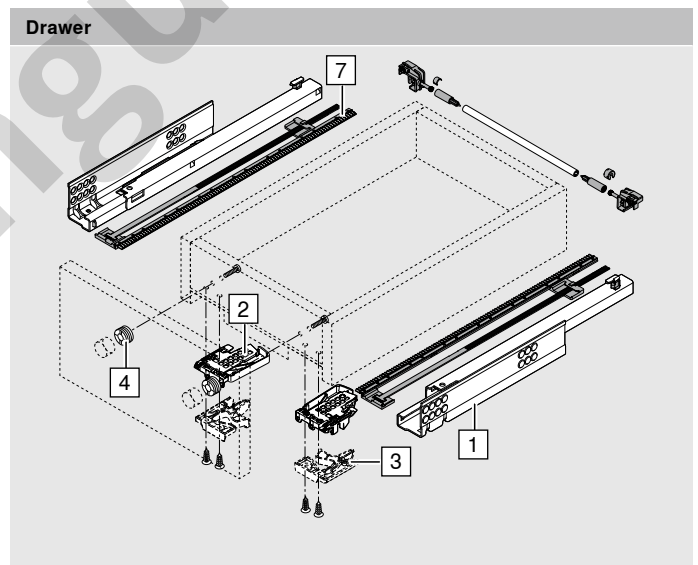
Ordering information

1	Runners left/right		
	Drawer depth SKL mm	Nominal length NL mm	Load bearing capacity 25 kg
	300	325	<b>540H3000B</b>
	350	375	<b>540H3500B</b>
	400	435	<b>540H4000B</b>
	450	485	<b>540H4500B</b>
	500	530	<b>540H5000B</b>
Integrated BLUMOTION			

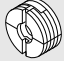


2	Locking device left/right	
	Nylon/zinc orange	<b>T51.1700.04</b>
	With height adjustment	
	Order left and right	

Alternative to 2

3	One-part locking device left/right	
	Nylon R7035 light grey	<b>T51.1400</b>
	Order left and right	
	Cannot be combined with POSISTOP	



**540H locking device feature – BLUMOTION**
**Accessories**

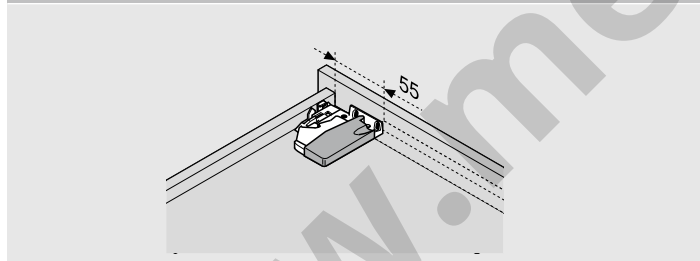
<b>4</b> 	<b>Front adjustment bracket</b>			<b>POSISTOP</b>	
	Nylon natural	<b>295.1000</b>		Material: nylon Colour: RAL 7037 dust grey	<b>298.5500</b>
<b>7</b> 	<b>Side stabiliser set for 7/8 extension</b>		Depth stop		
	For cutting to size	Nominal length NL (mm)	Can only be combined with locking device T51.1700.04		
	Suitable for cabinet width KB 1400 mm	Up to 400	<b>ZST.410TT</b>		
	Colour: RAL 7037 dust grey	Up to 500	<b>ZST.650TT</b>		
Material: nylon	Cutting dimensions: Internal cabinet width LW – 222 mm				

540H locking device feature – BLUMOTION

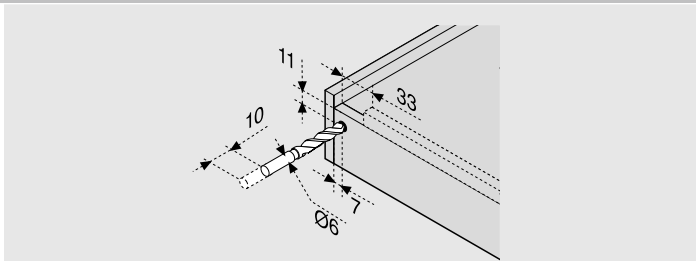
Planning

Space requirements in the cabinet		Drawer/inner drawer		Drawer		Inner drawer	
A	3 mm distance to interchange with full extension	SKW	Internal drawer width	SKL	Drawer depth	ISKL	Inner drawer length
		LW	Internal cabinet width	NL	Nominal length	NL	Nominal length
*	+3 mm with side stabiliser			Y	Drawer back	X	Front thickness
						Y	Drawer back
						*	Additional +2 mm with POSISTOP

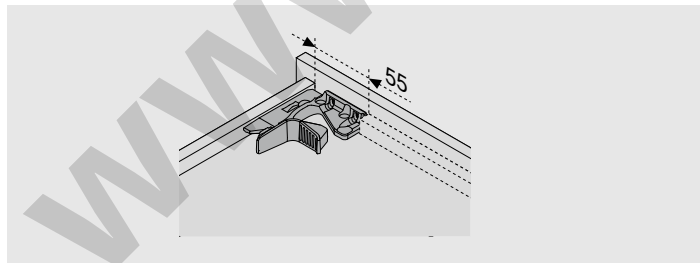
Drawer assembly



Use drilling template T65.1000.02



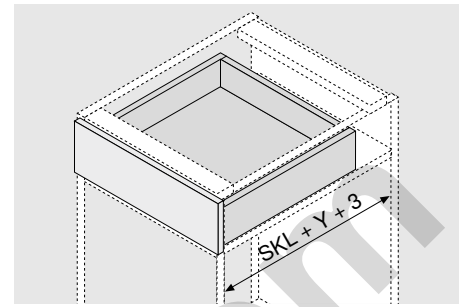
Use drilling template T65.1000.02



Use drilling template T65.1000.02

**540H locking device feature – integrated TIP-ON**


- Concealed runner system for wooden drawers with a panel thickness of 11 to 16 mm
- TANDEM 7/8 extension for ergonomic access
- Includes integrated TIP-ON motion technology – the mechanical opening system
- Low-friction cylindrical nylon rollers and a soft end stop ensure a feather-light glide
- Tool-free height adjustment via locking device (with T51.1700.04)
- Built-in width and depth tolerance compensation



Drawer depth (SKL) mm	Y mm
300	25
350	25
400	35
450	35
500	30

**Ordering information**

1	Runners left/right		
	Drawer depth SKL mm	Nominal length NL mm	Load bearing capacity 25 kg
	300	325	<b>540H3000T</b>
	350	375	<b>540H3500T</b>
	400	435	<b>540H4000T</b>
	450	485	<b>540H4500T</b>
	500	530	<b>540H5000T</b>
Integrated TIP-ON			

2	Locking device left/right	
	Nylon/zinc orange	<b>T51.1700.04</b>
	With height adjustment	
	Order left and right	

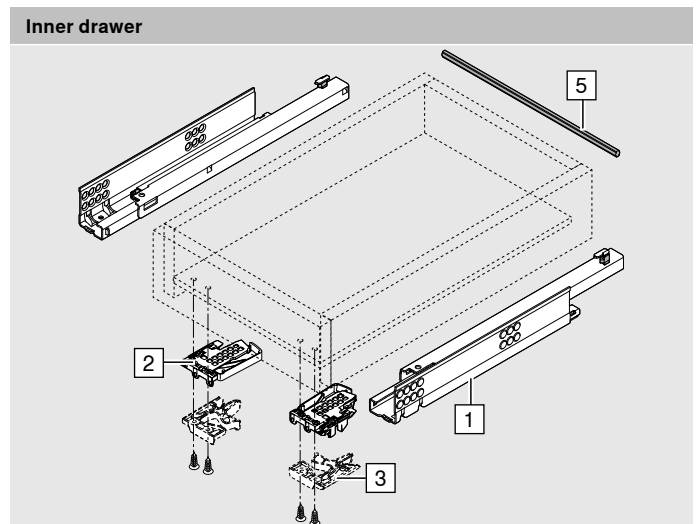
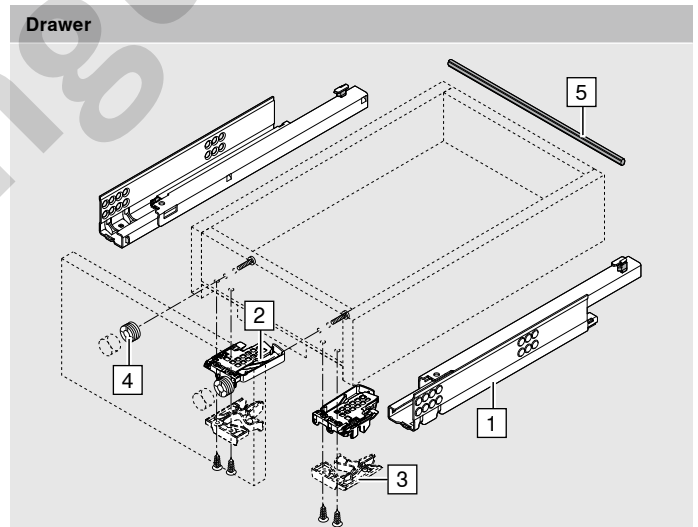
**Alternative to 2**

3	One-part locking device left/right	
	Nylon R7035 light grey	<b>T51.1400</b>
	Order left and right	

5	TIP-ON synchronisation linkage		
	Cabinet width KB (mm)	Version	
	Up to 1200	Profile linkage	<b>T57.1142S</b>
	For cutting to size We recommend the use of a synchronisation linkage for every cabinet width Cutting dimensions: Internal cabinet width LW – 29 mm		

**Accessories**

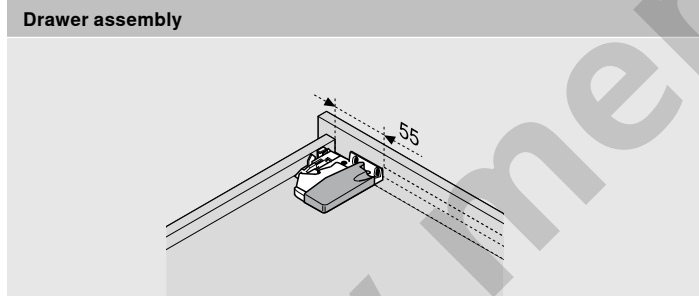
4	Front adjustment bracket	
	Nylon natural	<b>295.1000</b>



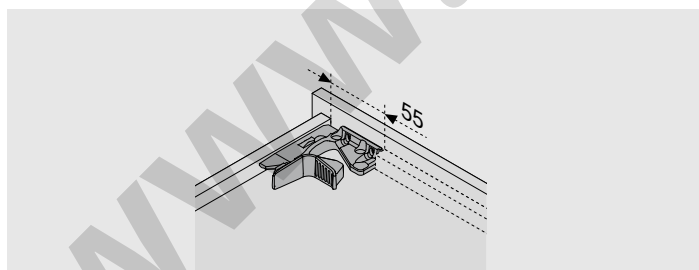
540H locking device feature – integrated TIP-ON

Planning

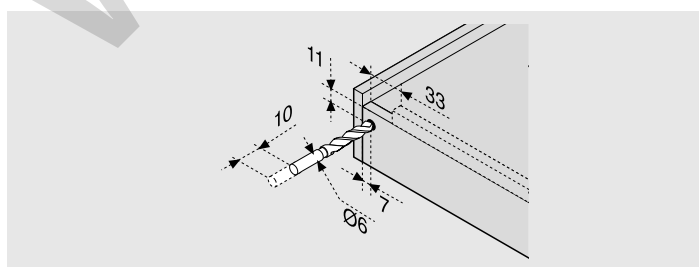
Space requirements in the cabinet		Drawer/inner drawer		Drawer		Inner drawer	
A	3 mm distance to interchange with full extension	SKW	Internal drawer width	SKL	Drawer depth	ISKL	Inner drawer length
		LW	Internal cabinet width	NL	Nominal length	NL	Nominal length
				Y	Drawer back	X	Front thickness
						Y	Drawer back



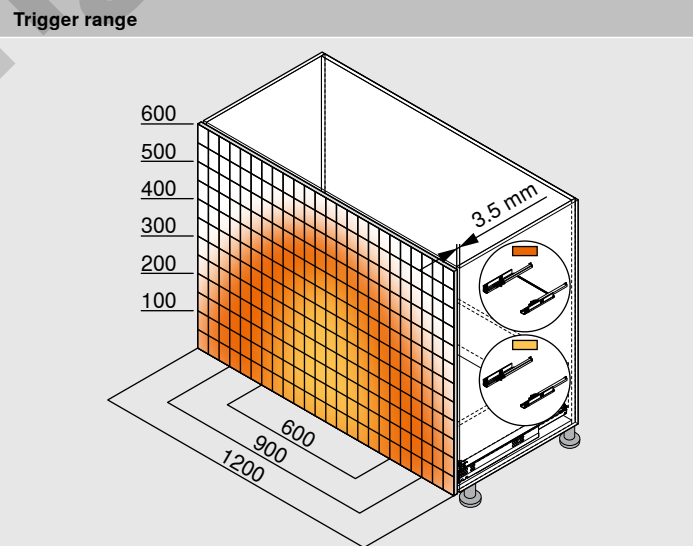
Use drilling template T65.1000.02



Use drilling template T65.1000.02



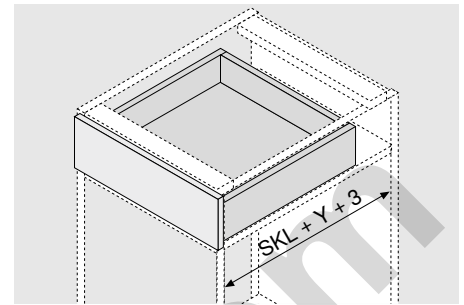
Use drilling template T65.1000.02



Example for 540H – 25 kg, SKL 500 mm, four sided drawer, with synchronisation

**541H hook and peg feature – BLUMOTION**

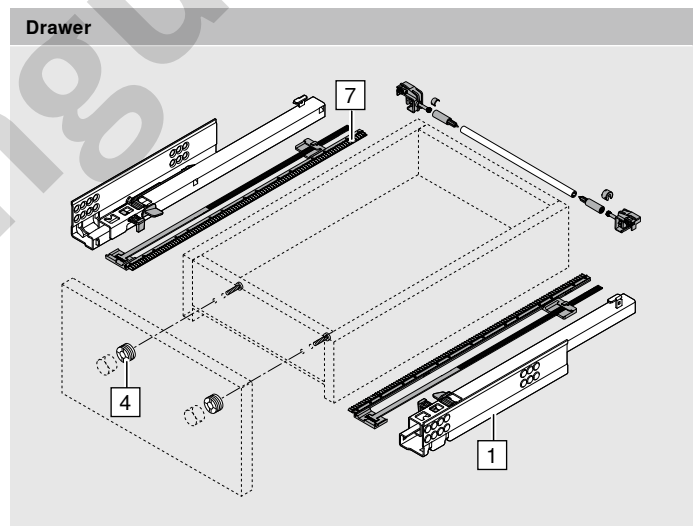

- Concealed runner system for wooden drawers with a panel thickness of 11 to 16 mm
- TANDEM 7/8 extension for ergonomic access
- Includes integrated BLUMOTION motion technology for soft and effortless closing
- Low-friction cylindrical nylon rollers and a soft end stop ensure a feather-light glide
- Lift-off stop and height adjustment integrated into the runner system



Drawer depth (SKL) mm	Y mm
300	25
350	25
400	35
450	35
500	30

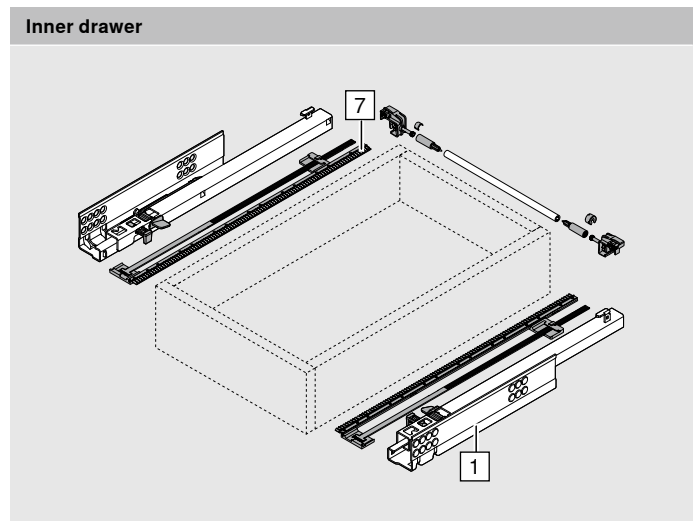
**Ordering information**

1	Runners left/right		
	Drawer depth SKL mm	Nominal length NL mm	Load bearing capacity 25 kg
	300	325	<b>541H3001B</b>
	350	375	<b>541H3501B</b>
	400	435	<b>541H4001B</b>
	450	485	<b>541H4501B</b>
	500	530	<b>541H5001B</b>
Integrated BLUMOTION			


**Accessories**

4	Front adjustment bracket	
	Nylon natural	<b>295.1000</b>

7	Side stabiliser set for 7/8 extension	
	For cutting to size	
	Suitable for cabinet width KB 1400 mm	
	Colour: RAL 7037 dust grey	
	Material: nylon	
	Nominal length NL (mm)	
	Up to 400	<b>ZST.410TT</b>
Up to 500	<b>ZST.650TT</b>	
Cutting dimensions: Internal cabinet width LW – 222 mm		

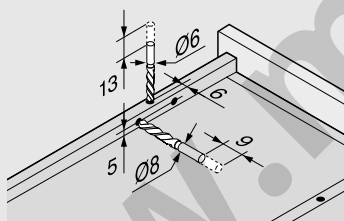


541H hook and peg feature – BLUMOTION

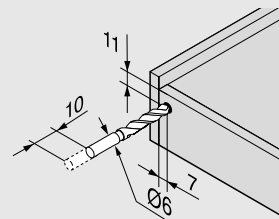
Planning

Space requirements in the cabinet	Drawer/inner drawer	Drawer	Inner drawer
<p>A 3 mm distance to interchange with full extension</p> <p>* +3 mm with side stabiliser</p>	<p>SKW Internal drawer width</p> <p>LW Internal cabinet width</p>	<p>SKL Drawer depth</p> <p>NL Nominal length</p> <p>Y Drawer back</p>	<p>ISKL Inner drawer length</p> <p>NL Nominal length</p> <p>X Front thickness</p> <p>Y Drawer back</p>

Drawer assembly

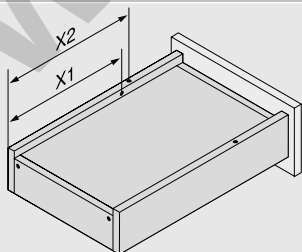


Use drilling template T65.1100



Use drilling template T65.1000.02

Drawer assembly

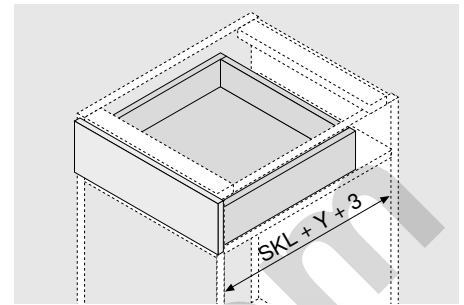


Drawer depth SKL (mm)	Hook X2 (mm)	Lift-off stop X1 (mm)
300	230	250
350	275	255
400	300	280
450	335	315
500	360	380



**541H hook and peg feature – integrated TIP-ON**


- Concealed runner system for wooden drawers with a panel thickness of 11 to 16 mm
- TANDEM 7/8 extension for ergonomic access
- Includes integrated TIP-ON motion technology - the mechanical opening system
- Low-friction cylindrical nylon rollers and a soft end stop ensure a feather-light glide
- Lift-off stop and height adjustment integrated into the runner system



Drawer depth (SKL) mm	Y mm
300	25
350	25
400	35
450	35
500	30

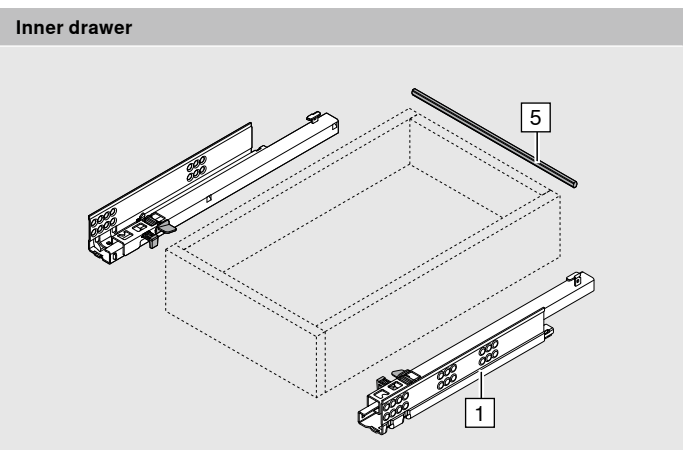
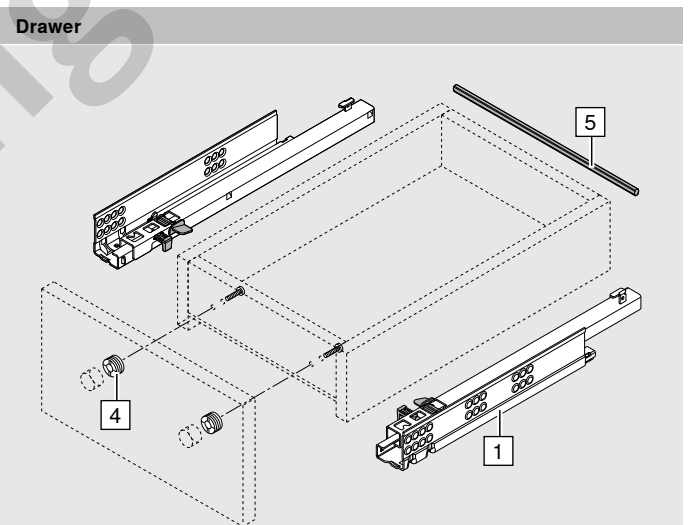
**Ordering information**

1	Runners left/right		
	Drawer depth SKL mm	Nominal length NL mm	Load bearing capacity 25 kg
	300	325	<b>541H3001T</b>
	350	375	<b>541H3501T</b>
	400	435	<b>541H4001T</b>
	450	485	<b>541H4501T</b>
	500	530	<b>541H5001T</b>
Integrated TIP-ON			

5	TIP-ON synchronisation linkage		
	Cabinet width KB (mm)	Version	
	Up to 1200	Profile linkage	<b>T57.1142S</b>
	For cutting to size We recommend the use of a synchronisation linkage for every cabinet width Cutting dimensions: Internal cabinet width LW – 29 mm		

**Accessories**

4	Front adjustment bracket	
	Nylon natural	<b>295.1000</b>

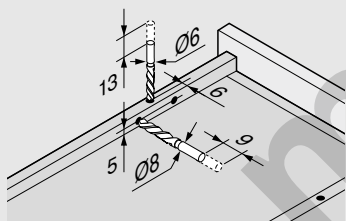


541H hook and peg feature – integrated TIP-ON

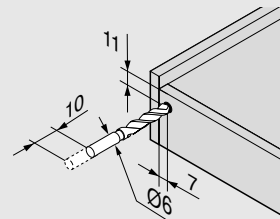
Planning

Space requirements in the cabinet		Drawer/inner drawer		Drawer		Inner drawer	
A	3 mm distance to interchange with full extension	SKW	Internal drawer width	SKL	Drawer depth	ISKL	Inner drawer length
		LW	Internal cabinet width	NL	Nominal length	NL	Nominal length
				Y	Drawer back	X	Front thickness
						Y	Drawer back

Drawer assembly

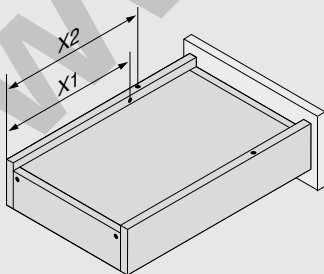


Use drilling template T65.1100



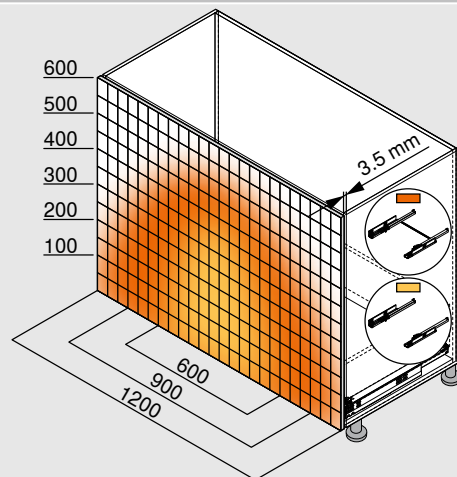
Use drilling template T65.1000.02

Drawer assembly



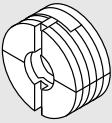
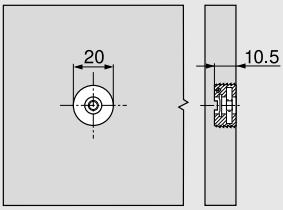

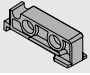

Drawer depth SKL (mm)	Hook X2 (mm)	Lift-off stop X1 (mm)
300	230	250
350	275	255
400	300	280
450	335	315
500	360	380

Trigger range

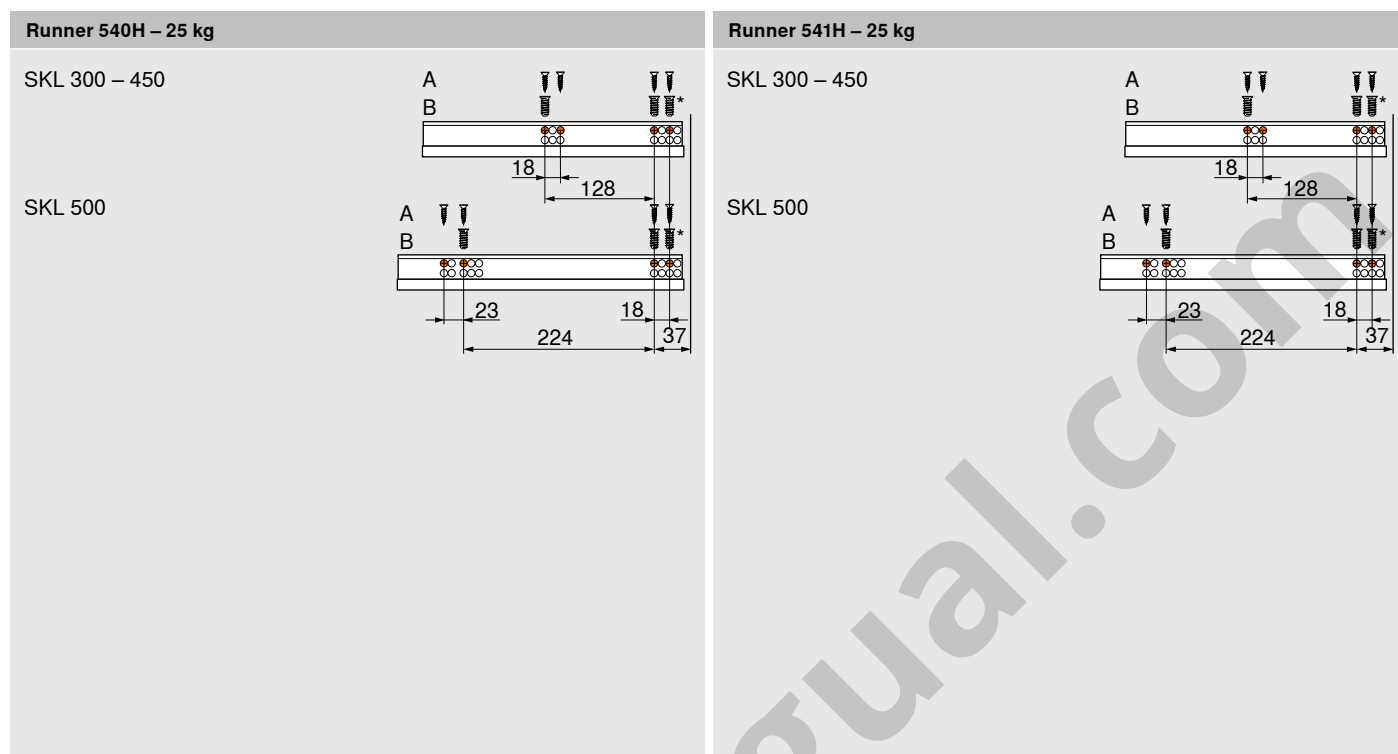


Example for 541H – 25 kg, SKL 500 mm, four sided drawer, with synchronisation

**Accessories**

Front adjustment bracket		Insertion ram for MINIPRESS	
	With pre-mounted steel washer		<b>MZM.0095</b>
	For four sided drawers		
	2-dimensional front adjustment (± 2 mm)		
	Material: nylon		
	Colour: Natural	<b>295.1000</b>	
POSISTOP		Back fixing bracket for pull-out shelf	
	Material: nylon		Colour: Natural
	Colour: RAL 7037 dust grey		<b>298.5500</b>
	Depth stop		Material: nylon
Can only be combined with locking device T51.1700.04			
Side stabiliser set for 7/8 extension			
	For cutting to size	Nominal length NL (mm)	
	Suitable for cabinet width KB 1400 mm	Up to 400	<b>ZST.410TT</b>
	Colour: RAL 7037 dust grey	Up to 500	<b>ZST.650TT</b>
	Material: nylon	Cutting dimensions: Internal cabinet width LW – 222 mm	

### Fixing of runners 540H/541H



SKL Drawer depth

A Chipboard screw  $\varnothing$  4 x 15 mm

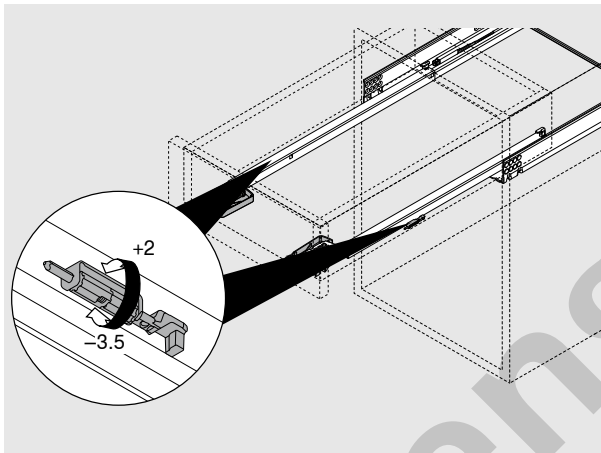
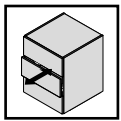
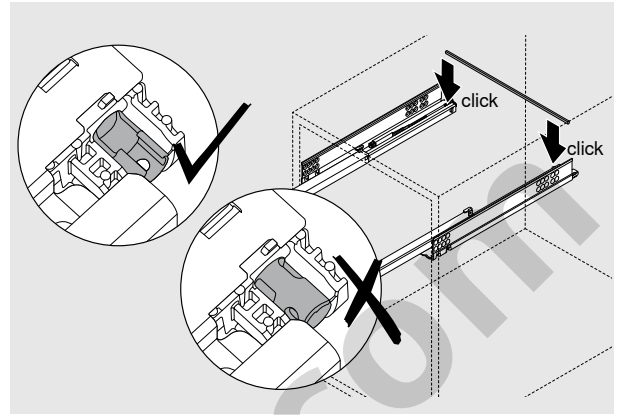
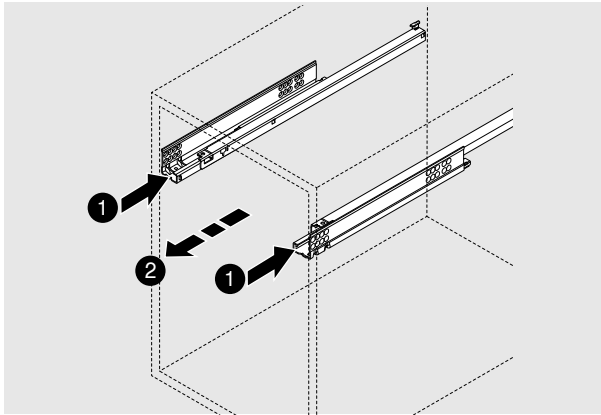
B System screw, part no. 661.1450.HG

\* Can be replaced with chipboard screw  $\varnothing$  4 x 15 mm

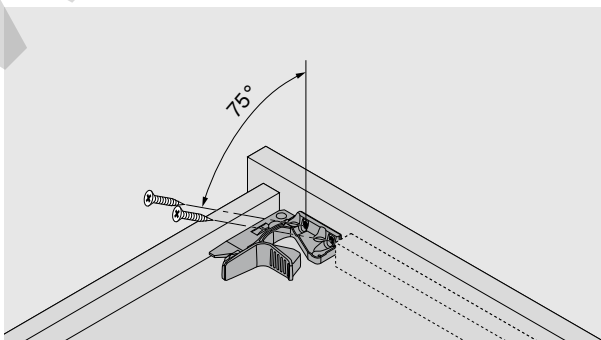
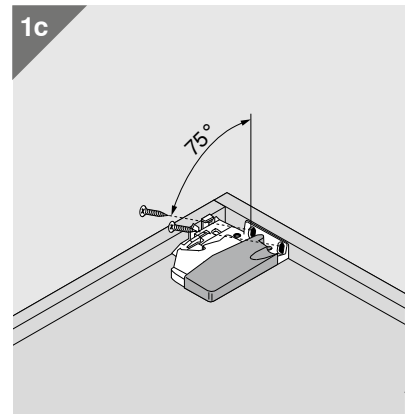
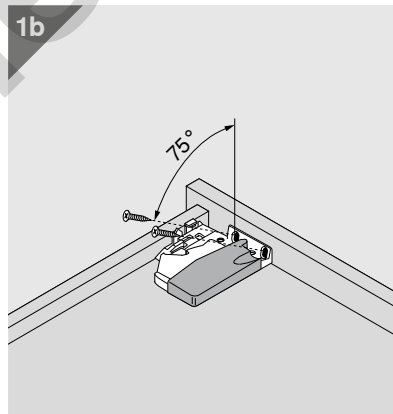
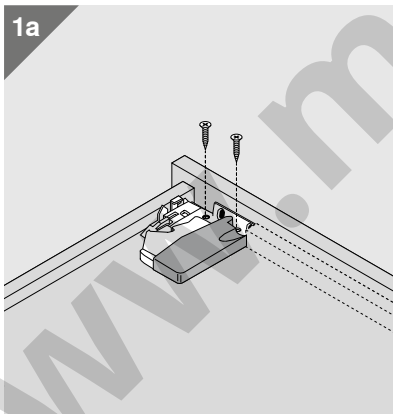
Assembly

**540H**  
**541H**

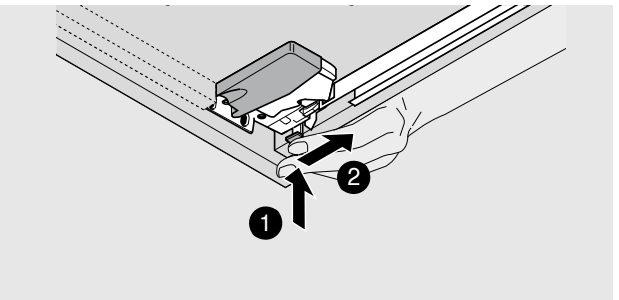
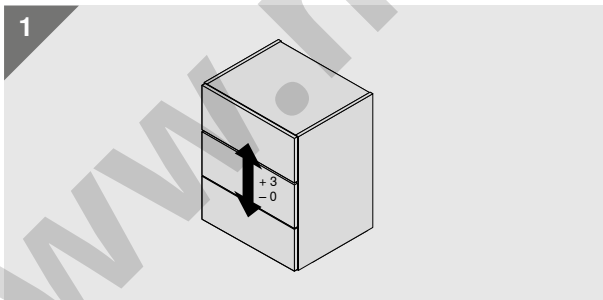
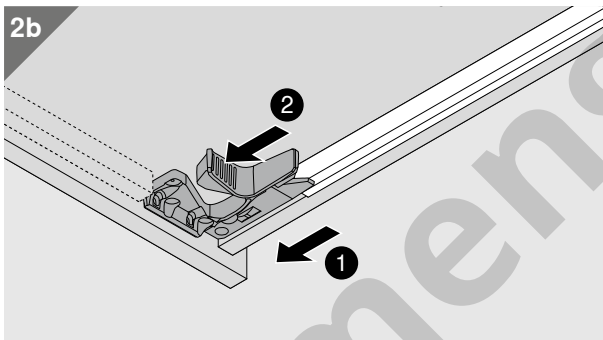
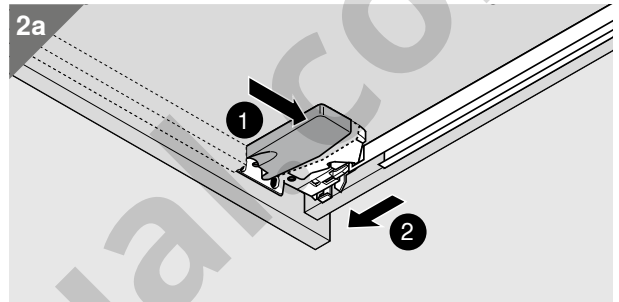
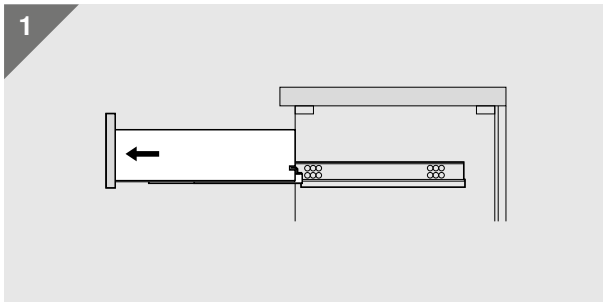
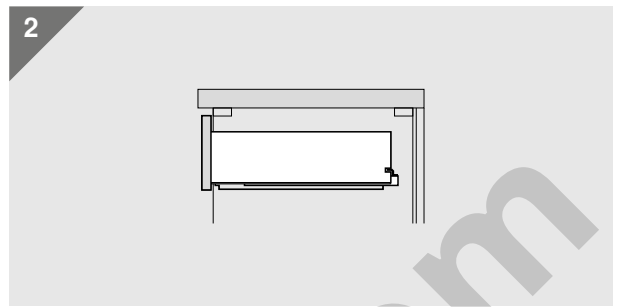
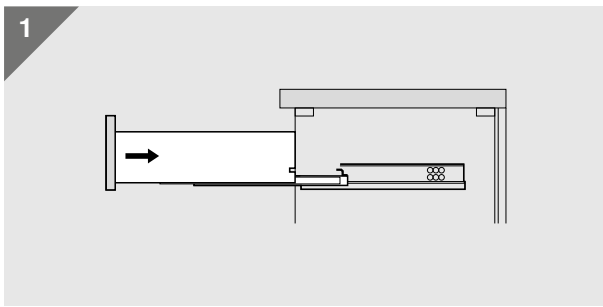
TIP-ON  
by Blum



**540H**



Assembly



## Assembly

**541H**